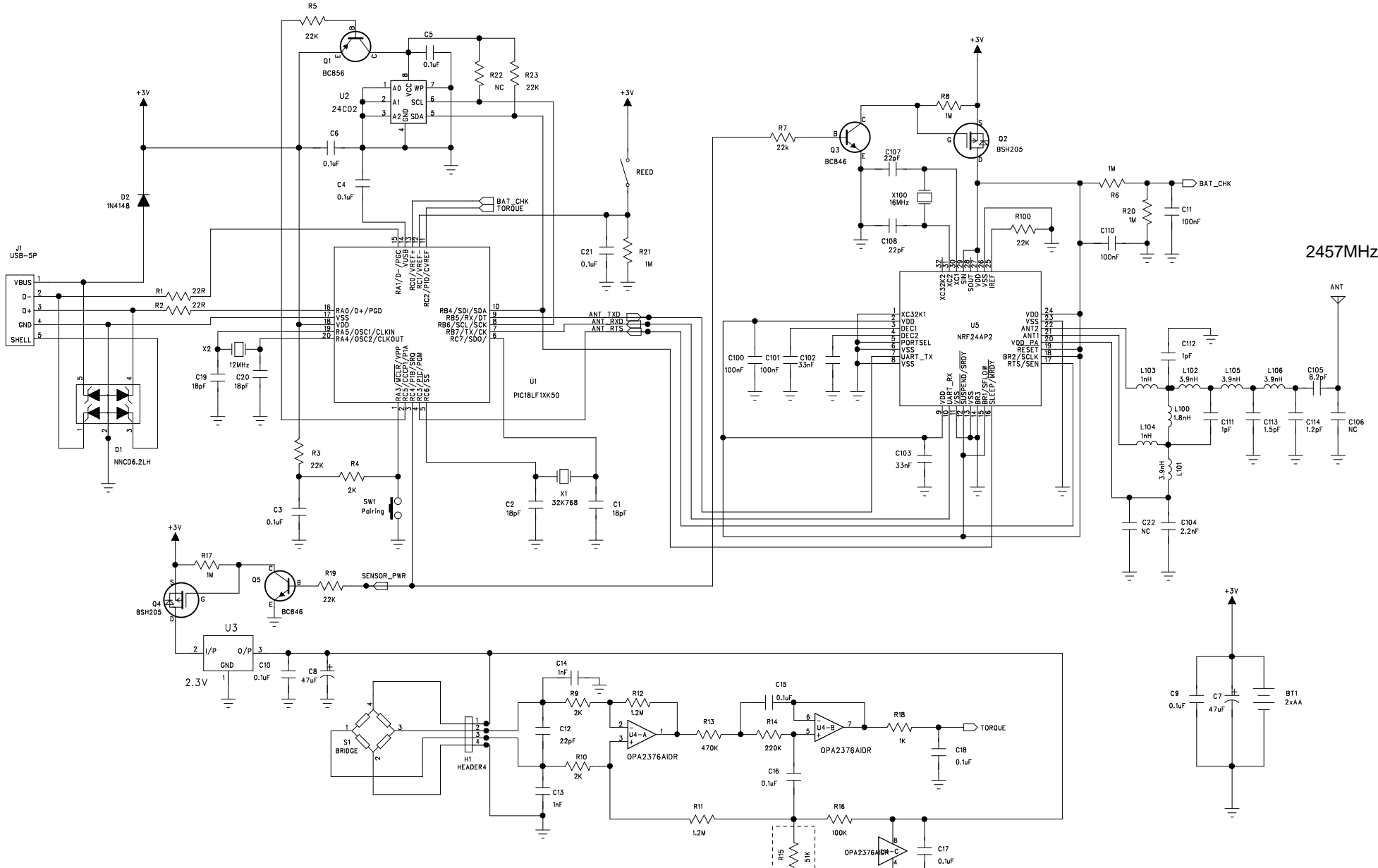


ISSUE	REVISION	DATE	MADE BY	APPROVED BY
1.0	FIRST RELEASE FOR PRODUCTION	15 Apr 2011	GZHOU	ZOWU



接電機不加力TORQUE輸出電壓範圍:0.6-1.6V
 R15 調整TORQUE電壓:
 電阻加大電壓上升,電阻減少電壓下降.

TITLE			
SCHEMATIC DIAGRAM			
DOC NO.	LS01668	DIVISION	L C D
MODEL NO.	AD200	DRAWN	GZhou
CAD REF.	AD200.SCH	CHKD	ZOWU
PAGE	1 OF 1	APPD.	ZOWU
IDT TECHNOLOGY LTD.			