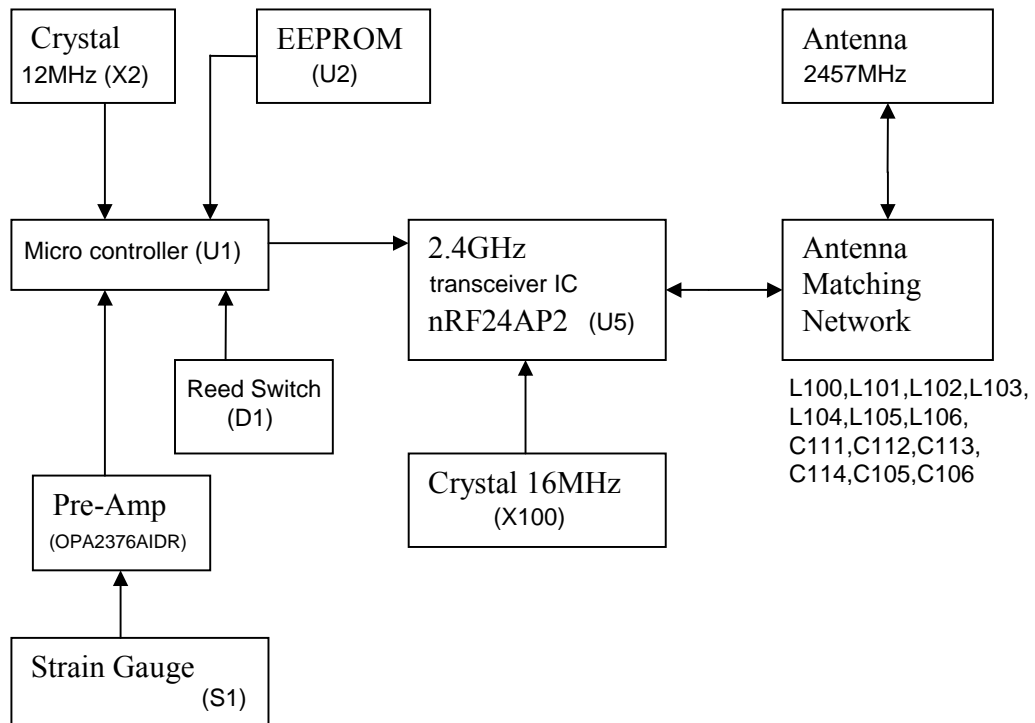


AD200 Block Diagram



3.2 Block diagram

Figure 4. on page 14 shows a block diagram of the RF transceiver in nRF24AP2.

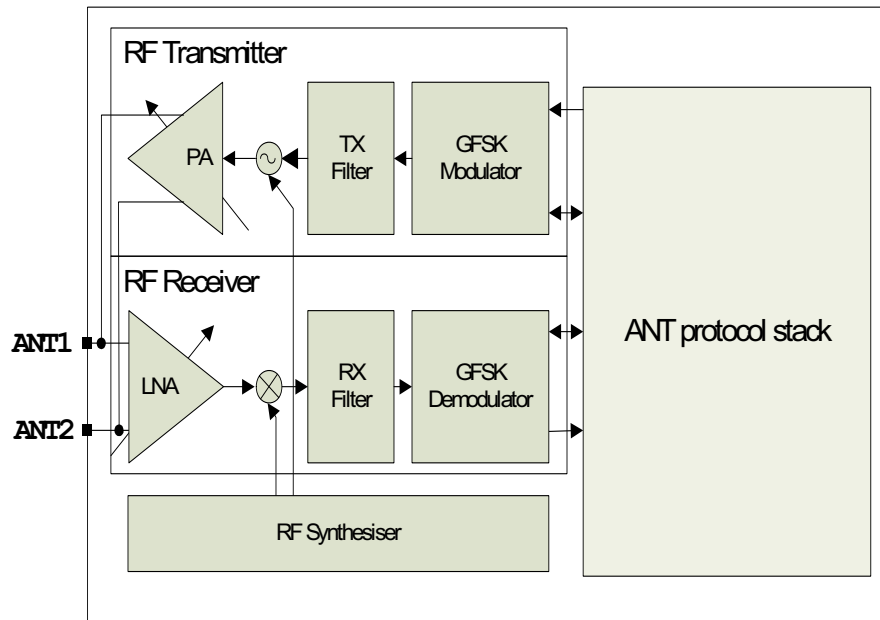


Figure 4. Internal circuitry of RF transceiver relative to ANT