
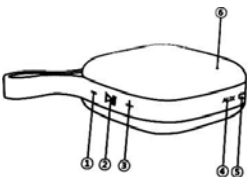



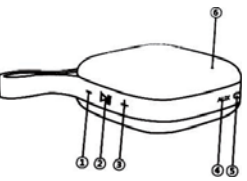
说明书：

1 材质：书写纸，环保

2 印刷要求：双面印刷黑（正面英文/反面中文）

3 单折尺寸：70*100MM（一共3折）

<p>蓝牙小音箱</p> <p>Sssspeaker</p>  <p>使用说明书</p>	<p>按键功能</p>  <p>①音量-/上一曲 ②电源按钮/播放/暂停按钮（模式切换） ③音量+/下一曲 ④AUX音频输入 ⑤USB充电接口 ⑥LED指示灯</p>	<p>蓝牙配对</p> <ol style="list-style-type: none">1. 启动手机上的蓝牙功能。2. 按下电源按钮4秒钟，直到出现语音提示。3. 从设备列表中选择“Sssspeaker”进行蓝牙连接。 <p>充电说明</p> <ol style="list-style-type: none">1. 将充电线插入蓝牙音箱侧面的充电端口，USB电源终端的电压不可超过5V。充电时LED指示灯变为红灯。2. 充满电时红灯熄灭。 <p>AUX音频输入</p> <p>将音频线一端插入3.5mm接口，另一端连接笔记本电脑/手机/MP3等设备，进行音乐播放。</p> <p>功能操作</p> <ol style="list-style-type: none">1. 长按（M）以打开/关闭蓝牙音箱2. 短按（M）播放/暂停音乐3. 长按（+）为下一曲，短按为音量加4. 长按（-）为上一曲，短按为音量减5. 来电时短按（M）为接听电话，通话中短按(M)挂断当前电话；双击回拨最近一个呼出电话
---	---	---

<p>Mini Bluetooth Speaker</p> <p>Sssspeaker</p>  <p>User Manual</p>	<p>Key Buttons & Ports</p>  <p>① Volume-/ Previous piece ② Power button/Play/Pause button(M) ③ Volume+/Next track ④ AUX line in ⑤ USB charging port ⑥ LED indicator</p>	<p>Pairing the wireless speaker</p> <ol style="list-style-type: none">1. Activate the Bluetooth function on your mobile device.2. Press down power button for 4 seconds till audio prompt.3. Begin pairing with speaker by selecting "Sssspeaker" from the device list. <p>Charging the speaker</p> <ol style="list-style-type: none">1. Plug the adaptor cable into the charging port located at the side of the wireless Speaker into not more than 5V USB power terminal. The LED indicator will turn red when the speaker is charging.2. The indicator will turn off when the speaker is fully charged <p>AUX/Line in</p> <p>Insert audio cable into 3.5mm jack and connect other side to laptop/mobile/mp3 etc to play music files.</p> <p>Key Functions</p> <ol style="list-style-type: none">1. Press and hold (M) to On/Off speaker2. Press (M) to play /pause music3. Long press (+) for the next song, short press for volume increase4. Long press (-) to the previous song, short press to decrease the volume5. Short press (M) when a call comes in to answer the call, short press (M) during a call to hang up the current call; double-click to call back the last outgoing call
---	---	--

80mm

60mm

FCC compliance statement

changes or modifications not expressly approved by the party responsible for compliance could void the user's authority to operate the equipment.

This equipment has been tested and found to comply with the limits for a Class B digital device, pursuant to Part 15 of the FCC Rules. These limits are designed to provide reasonable protection against harmful interference in a residential installation. This equipment generates, uses and can radiate radio frequency energy and, if not installed and used in accordance with the instructions, may cause harmful interference to radio communications. However, there is no guarantee that interference will not occur in a particular installation.

If this equipment does cause harmful interference to radio or television reception, which can be determined by turning the equipment off and on, the user is encouraged to try to correct the interference by one or more of the following measures:

- Reorient or relocate the receiving antenna.
- Increase the separation between the equipment and receiver.
- Connect the equipment into an outlet on a circuit different from that to which the receiver is connected.
- Consult the dealer or an experienced radio/TV technician for help.

This device complies with Part 15 of the FCC Rules. Operation is subject to the following two conditions:

- (1) this device may not cause harmful interference, and
- (2) this device must accept any interference received, including interference that may cause undesired operation.