

**Date:** 12.05.22  
**Artworker:** KR  
**Project Manager:** DOM  
**Job description:** INMOTION PHASE 3  
**Job no:** 4.17.69  
**Supplier:** D&S  
**Supplier code:** 84188  
**Version no:** 01  
**SKU no:** 3094792  
**Barcode no:** 5020420036903  
**Line no:** 19  
**Product:** INST.: PRO WIRELESS OVER EAR HEADPHONES  
**Pattern reference:** -  
**Stock specification:** UNCOATED PAPER  
**Finish:** MATT  
**Size:** A5  
**A/W scale:** 100%  
**Colour:** BLACK ONLY

**Print colours**



**Additional/Special Finishes**

**Cutter/Crease & Perforation Guides**



**SIGN OFFS**

**PM** (colour breakdown/copy): \_\_\_\_\_  
**Designer** (design): \_\_\_\_\_  
**QC** (quality copy): \_\_\_\_\_  
**Buyer** (all elements): \_\_\_\_\_  
 Date sent to print: \_\_\_\_\_

Please note this run out is not a cromalin or colour proof. This run out should ONLY be signed when all the copy has been checked and is correct, and the colour breakdown, cutter dimensions and design checked and approved. Any corrections to be made should be marked on this run out and returned unsigned. Artwork will not be released until signed approval is received.

**It is not WHSmith policy to send out fonts. To purchase our fonts, please contact Agfa Monotype on 0800 371242 or visit www.agfamonotype.co.uk**

© WH Smith plc and its subsidiaries, 2017. All rights reserved. The contents of this artwork are not to be reproduced, copied or transmitted in any form or by any means without the consent of the copyright owner.

**PLEASE NOTE ALL AMENDS MADE AFTER SIGN-OFF WILL INCUR ADDITIONAL SBU COSTS**

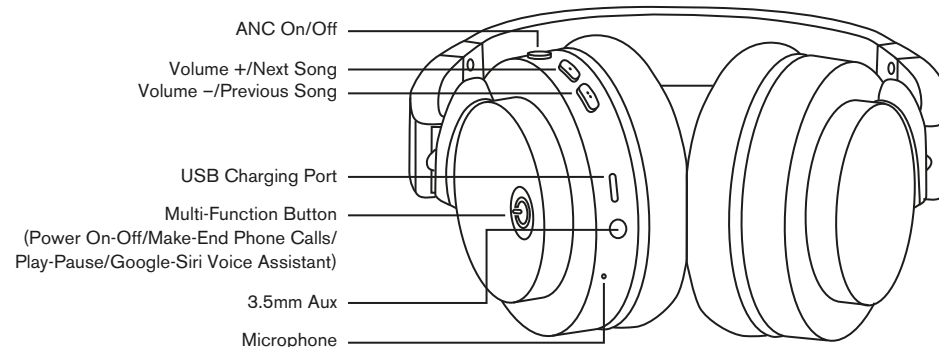
**WHSmith**

Tel: 01793 616161 • Ftp: whsmith.wamnet.com  
 WHSmith, Greenbridge Road, Swindon, Wiltshire SN3 3RX

# INMOTION

## INSTRUCTIONS WIRELESS OVER EAR HEADPHONES

Please read this manual carefully before using the headphones as this contains important safety information. Please keep the headphones away from children.



**Contents**

- Bluetooth Active Noise Cancelling Headphone x 1
- Charging Cable (USB-A to Micro-USB)
- Audio Cable (3.5mm AUX to 3.5mm AUX)

**Charging**

Plug the charging cable into the Micro-USB port under the left ear-cap of the headphone. Plug the other end into the USB port of your computer or other device made for USB charging. The LED will turn red while charging. When fully charged the light will turn blue. Charge time is approx. 2.5hrs on an empty battery.

**Power ON:**

Press and hold the Multi-Function button for approximately 3 seconds. The headset will then go into Bluetooth search mode (red / blue light flashes quickly and alternately followed by the prompt tone "Power On").

**Power OFF:**

Press and hold the Power button for approximately 3 seconds. The red light will and turn off, followed by the prompt tone "Power Off".

**Headphone Pairing**

1. Ensure that your phone or Bluetooth device is switched on.
2. To pair the headphone if it has not been previously paired with a device, switch on the headset. The headphone will enter search mode and the light will flash red/blue. To pair the headphone if it has been previously paired with another device, ensure that the previously paired device is switched off.

3. Ensure Bluetooth is switched on your phone or device and search for wireless devices.
4. Select "InMotion" from the device list. When successfully paired, there will be a prompt tone "Connected" followed by a blue light. The headphone that was previously paired will automatically connect with the device if the device is on and within connecting range. If not, the headphone will enter standby mode with a continuous blue light.

**Functions:**

**Active Noise Cancelling (ANC) On**

Press the ANC button to turn on. The LED will turn green. The ANC function is available with a wireless and wired connection.

**Active Voice Cancelling (ANC) Off**

Press the ANC button to turn off. The green LED will turn off. The ANC function must be turned off manually.

**Adjust the Volume**

The volume will go up or down with a long press of the +/- button during a call or listening to music. When the volume reaches maximum, there will be a warning tone.

**Listen to Music**

To listen to music, connect the headphone to your device. The available music functions will depend on your Bluetooth device. If you make or receive a call while listening to music, the music will pause until the call ends. To play a song, select it in the music player. To pause or resume playing a song, press the Play/Pause button. To select the next song during playback, press the volume down button quickly. To select the

previous song, press the volume up button quickly. To select the previous song, press the volume down button quickly.

**Answer / End a Call**

To answer a call, quickly press the Multi-Function button to answer it, or a long press (approx. 1.5 seconds) to reject the call. To end a call, press the Multi-Function button.

**Voice Assistant**

To activate voice assistance, press the Multi-Function button twice.

**Disconnect the Headphone**

To disconnect the headphone from your device, switch off the headphone or disconnect it from the Bluetooth menu of your device.

**Reconnect the Headphone**

To reconnect to the phone or Bluetooth device that you last used with it, switch on the headphones, or remake the connection in the Bluetooth menu of your device.

**Wired Connection**

You can also use the headphones with a wired connection. Simply connect the headphones to your device with the 3.5mm AUX cable provided. Inserting the audio cable plug will disable the wireless functionality.

**Technical Specification:**

- Bluetooth version: 5.0
- Working range: up to 10m (33ft.)
- Frequency response: 20Hz to 20kHz
- Driver unit: 40mm
- Impedance: 32Ω±15%
- Headset Sensitivity : 100±3dB(@ 1kHz)
- Input: DC 5V/500mA
- Battery: Rechargeable Lithium ion battery; 3.7V, 250mAh
- Charging time: 2.5 hours
- Working time: 12 hours with 50% Volume

**Caution**

1. Please turn off the headset and put it into box to avoid damage, scratches or bracket deformation when long time no use. In order to prolong the battery service life, please charge every 3 months.
2. Please charge at first if the headset is left unused for long time.
3. The battery of headset is original and please don't change it by yourself.
4. Please keep the headset under dry place.
5. Please don't put this product into an environment with a temperature over 60° or into fire to avoid battery blast accident.

Supplier/manufacturer info:  
 UK sales: WH Smith, SN3 3RX UK  
 USA Sales: IMEG LLC, 3755 W Sunset Rd Suite A, Las Vegas, NV 89118  
 EU sales: WH Smith Ireland Limited, 6th Floor, 2 Grand Canal Square, Dublin 2, ROI  
 Produced in China

6. Please don't bent or twist the bracket to avoid deformation.
7. Please don't tear down ear-cushions by un-professional person.
8. Don't adjust the volume to a very high level and continued play. If tinnitus occurs, please turn the volume down or stop playing, do not turn the volume up suddenly. Please slowly turn up the volume to avoid hearing damage caused by high volume.
9. Do not use the headset in dangerous place or place where cannot hear the outside sound.

**FCC COMPLIANCE**

This device complies with Part 15 of the FCC Rules. Operation is subject to the following two conditions:

1. This device may not cause harmful interference, and
2. This device must accept any interference received, including interference that may cause undesired operation.

**WARNING!** Changes or modifications to this unit not expressly approved by the party responsible for compliance could void the user's authority to operate the equipment.

**NOTE:** This equipment has been tested and found to comply with the limits for a Class B digital device, pursuant to Part 15 of the FCC Rules. These limits are designed to provide reasonable protection against harmful interference in a residential installation. This equipment generates, uses and can radiate radio frequency energy and, if not installed and used in accordance with the instructions, may cause harmful interference to radio communications. However, there is no guarantee that interference will not occur in a particular installation. If this equipment does cause harmful interference to radio or television reception, which can be determined by turning the equipment off and on, the user is encouraged to try to correct the interference by one or more of the following measures:

- Reorient or relocate the receiving antenna
- Increase the separation between the equipment and receiver
- Connect the equipment into an outlet on a circuit different from that to which the receiver is connected
- Consult the dealer or an experienced radio / TV technician for help

