
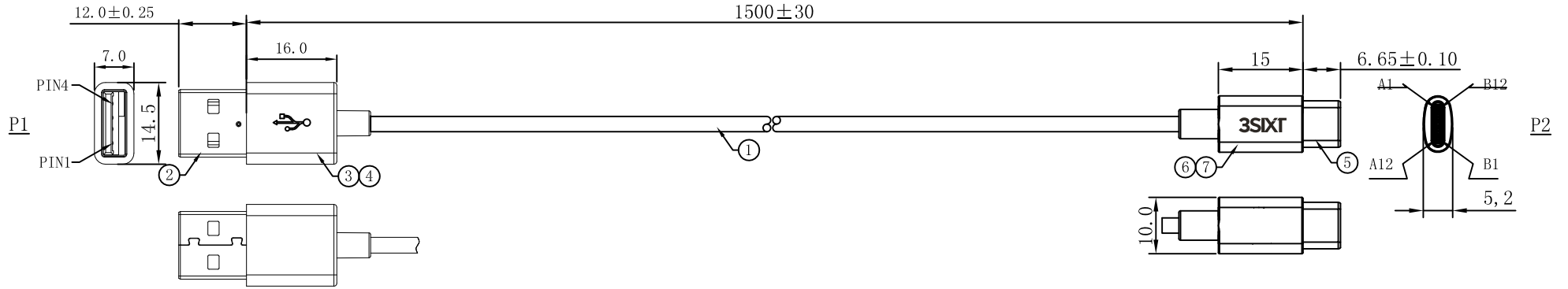


①	Wireless Charger	Black	1PCS
NO.	Parts NO.	Parts Name	Specification
			Q'TY

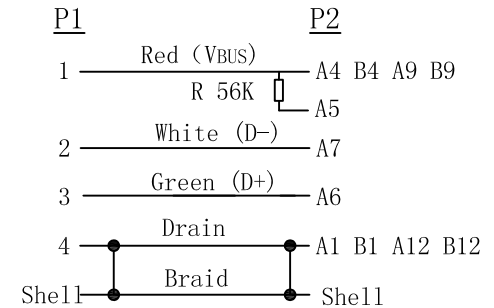
APPROVED	CHECKED	DRAWN	CUSTOMER:	WAP	DESCRIPTION: Wireless Charger	 SHENZHEN DNS INDUSTRIES CO., LTD. Add: 23F, building A, Shenzhen International Innovation Center, 1006 Shennan Road, Futian, Shenzhen, China Tel: +86-755-83401338 Fax: +86-755-83301489 Web: www.dnsindustries.com
		Damon	ITEM NO.	3S-1802		
			DRAW NO.	WD-22A		
			UNIT	mm		
			SCALE	None		

REVISION RECORD MODIFICATIONS	DATE	REV.
INITIAL ISSUE	2019.10.14	A.0



3SIXT
 Size:8X2.5mm
 Silk-screen:Cool gray 7C

PIN OUT



- NOTES:
 1.100% OPEN,SHORT & MIS-WIRE TEST
 2.CONTACT RESISTANCE: 3 ohm (MAX)
 3.INSULATION RESISTANCE: 5M ohm (MIN) 300VDC/1ms
 4.ROHS COMPLIANT

④		Molding	PVC ,The black color	1PCS
③		Conn 2	USB A/M ,PIN:Gold Plated,Insulator Color:White,Shell:Nickel Plated	1PC
②		Conn 1	Type C/M,PIN GOLD PLATED,INSULATION :WHITE,SHELL NICKEL PLATED	1PC
①		CABLE	24AWG*1C+32AWG*1P+D+AL/MY+B+PVC Jacket OD:2.7 The black color	1PC
NO.	PARTS NO.	Parts Name	Specification	Q`TY

APPROVED	CHECKED	DRAWN	CUSTOMER:	
		Yanxinyong	CUST. P/N.	/
			DRAW NO.	/
			UNIT	mm
			SCALE	NONE

DESCRIPTION:
 USB 2.0A/M -Type C/M cable assembly
 1.5M

dns+ SHENZHEN DNS INDUSTRIES CO., LTD.
 Add: 10/F Building B,Tianan High-Tech Venture Park,
 Tianan Cyber Park,Futian,Shenzhen,China
 Tel:+86-755-83401338
 Fax:+86-755-83301489
 Web:www.dnsindustries.com