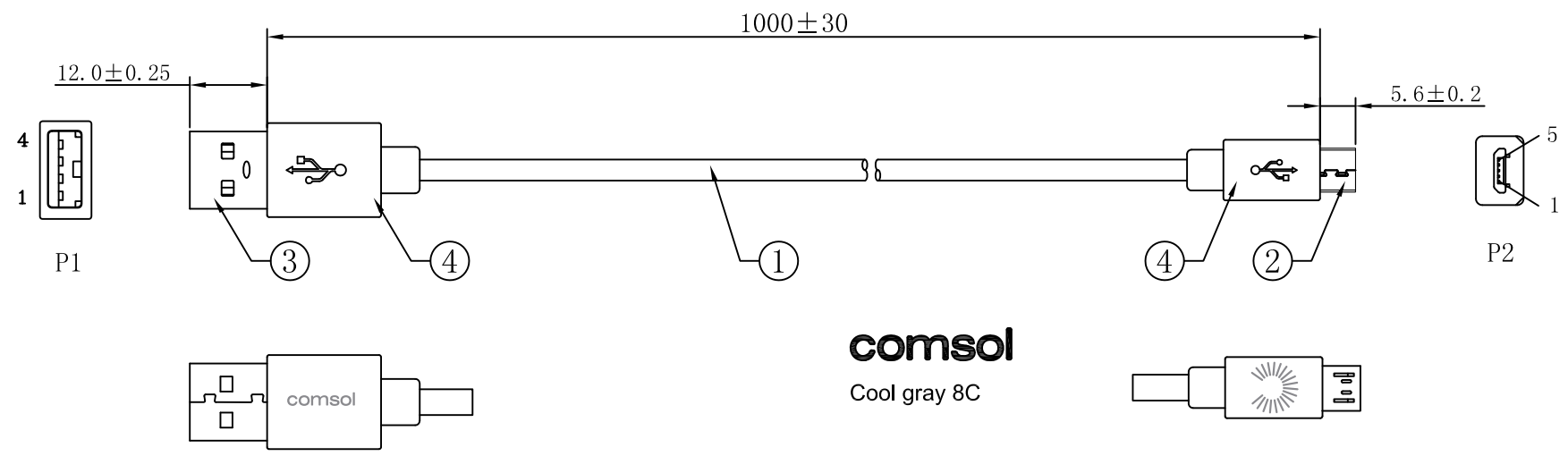
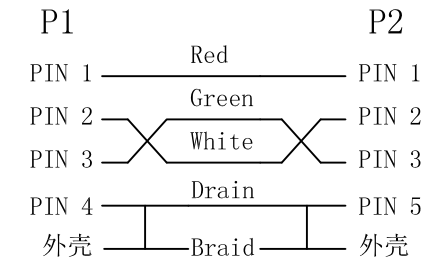


Size: 25\*22mm

REVISION RECORD MODIFICATIONS	DATE	REV.
INITIAL ISSUE	2018.05.31	A.0



PIN OUT



- NOTES:
- 1.100% OPEN,SHORT & MIS-WIRE TEST
  - 2.CONTACT RESISTANCE: 5 ohm (MAX)
  - 3.INSULATION RESISTANCE: 10M ohm (MIN) 300VDC/1ms
  - 4.ROHS COMPLIANT

④		Molding	PVC ,Color:Black	16g
③		Conn 2	USB A/M ,PIN:Gold Plated,Insulator Color:White,Shell:Nickel Plated	1PC
②		Conn 1	USB MIRCO 5P B /M,PIN GOLD PLATED,INSULATION :Black,SHELL NICKEL PLATED	1PC
①		CABLE	24AWG*1C+30AWG*1P+D+AL/MY+B+PVC Jacket OD:2.8 Color: Black	1PC
NO.	PARTS NO.	Parts Name	Specification	Q'TY

APPROVED	CHECKED	DRAWN	CUSTOMER:	Comsol	DESCRIPTION:	SHENZHEN DNS INDUSTRIES CO., LTD. Add: 10/F Building B,Tianan High-Tech Venture Park, Tianan Cyber Park,Futian,Shenzhen,China Tel:+86-755-83401338 Fax:+86-755-83301489 Web:www.dnsindustries.com
		Huangmingyi	CUST. P/N.	WCC05	USB A/M -Mirco B/M cable assembly	
			DRAW NO.			
			UNIT	mm		
			SCALE	NONE		