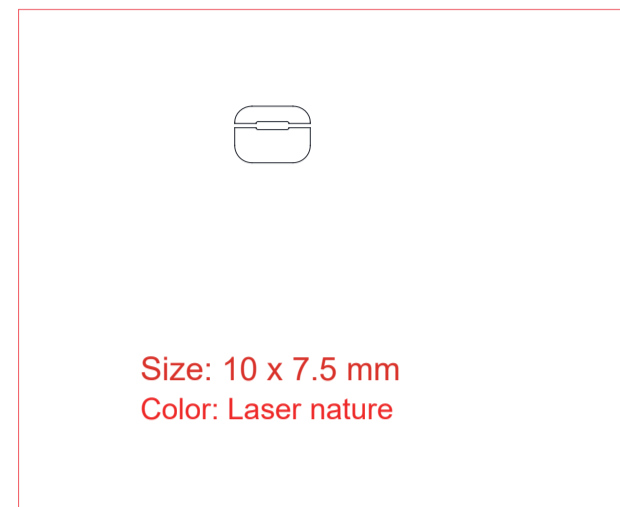
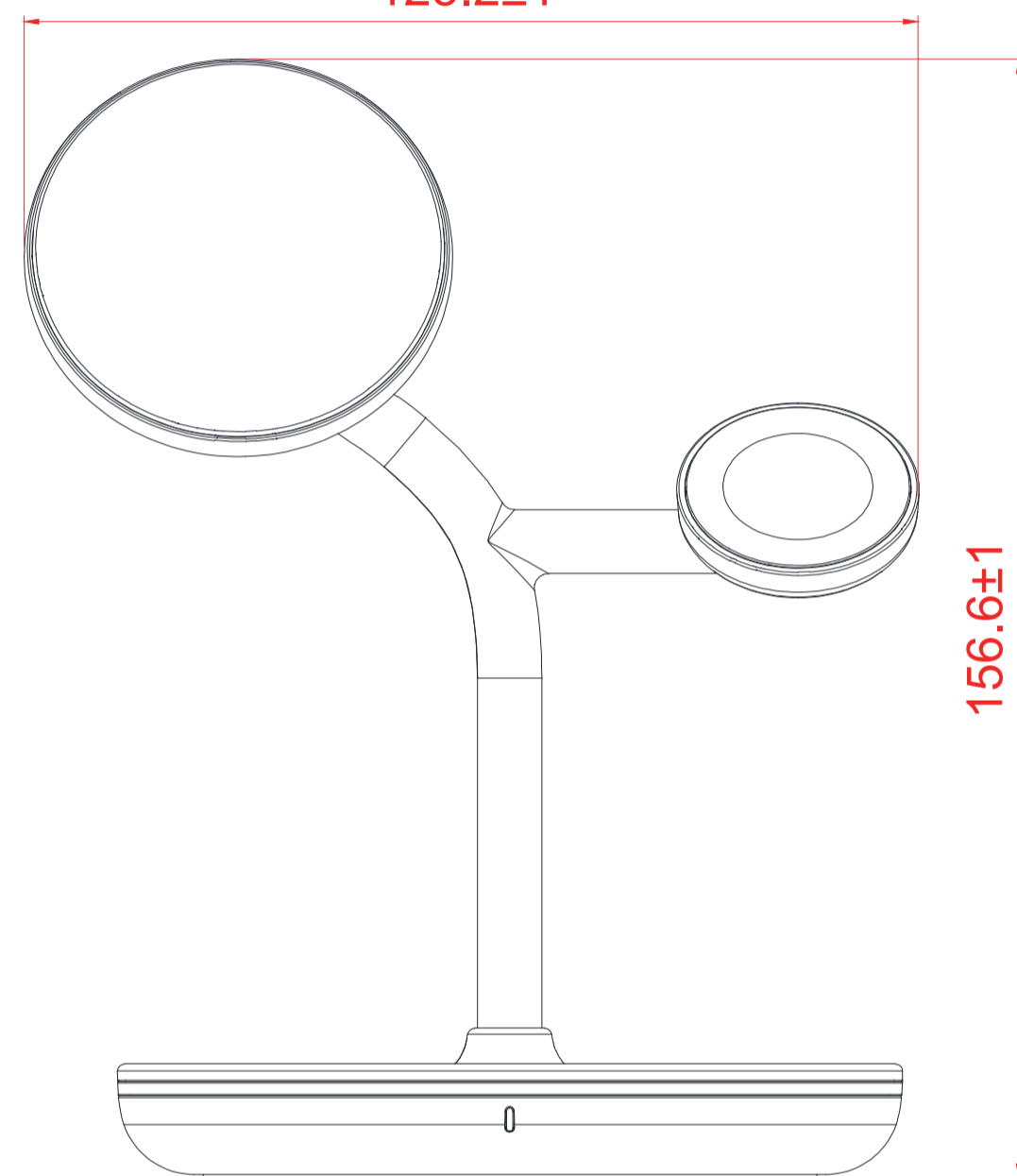


38.3mm

125.2±1

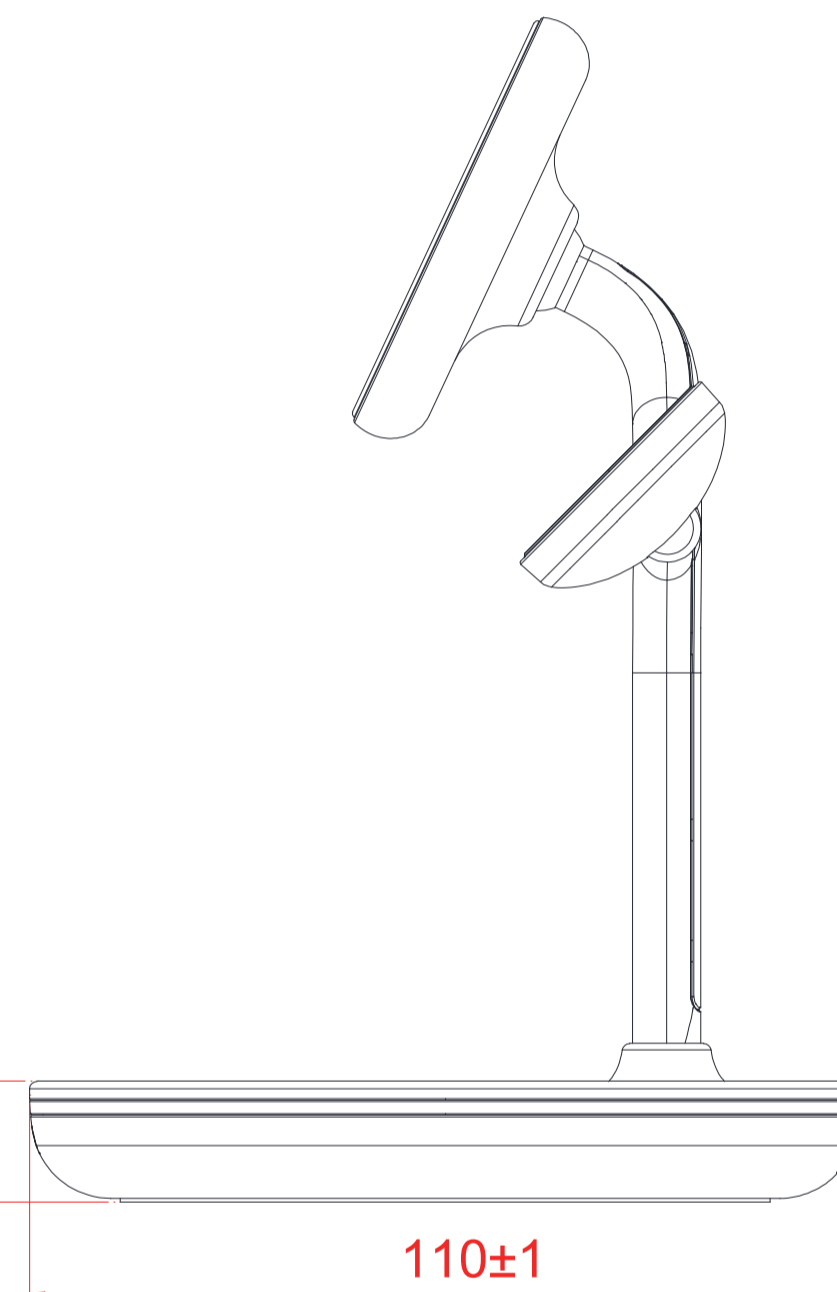


Size: 10 x 7.5 mm
Color: Laser nature

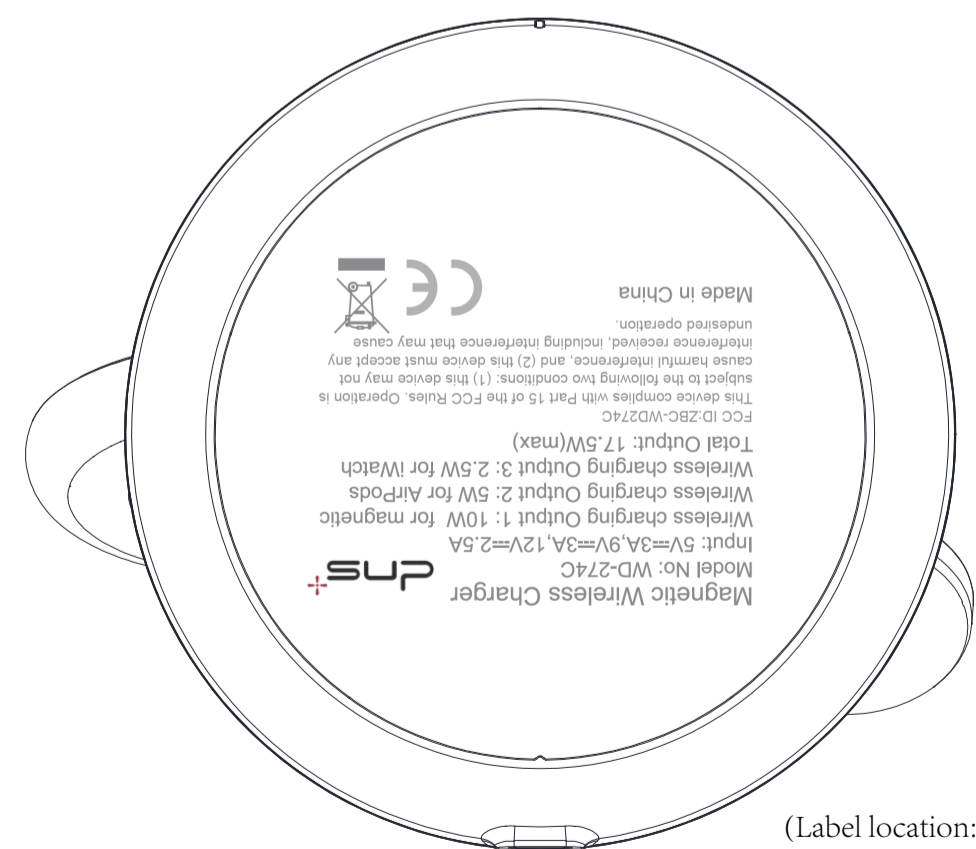
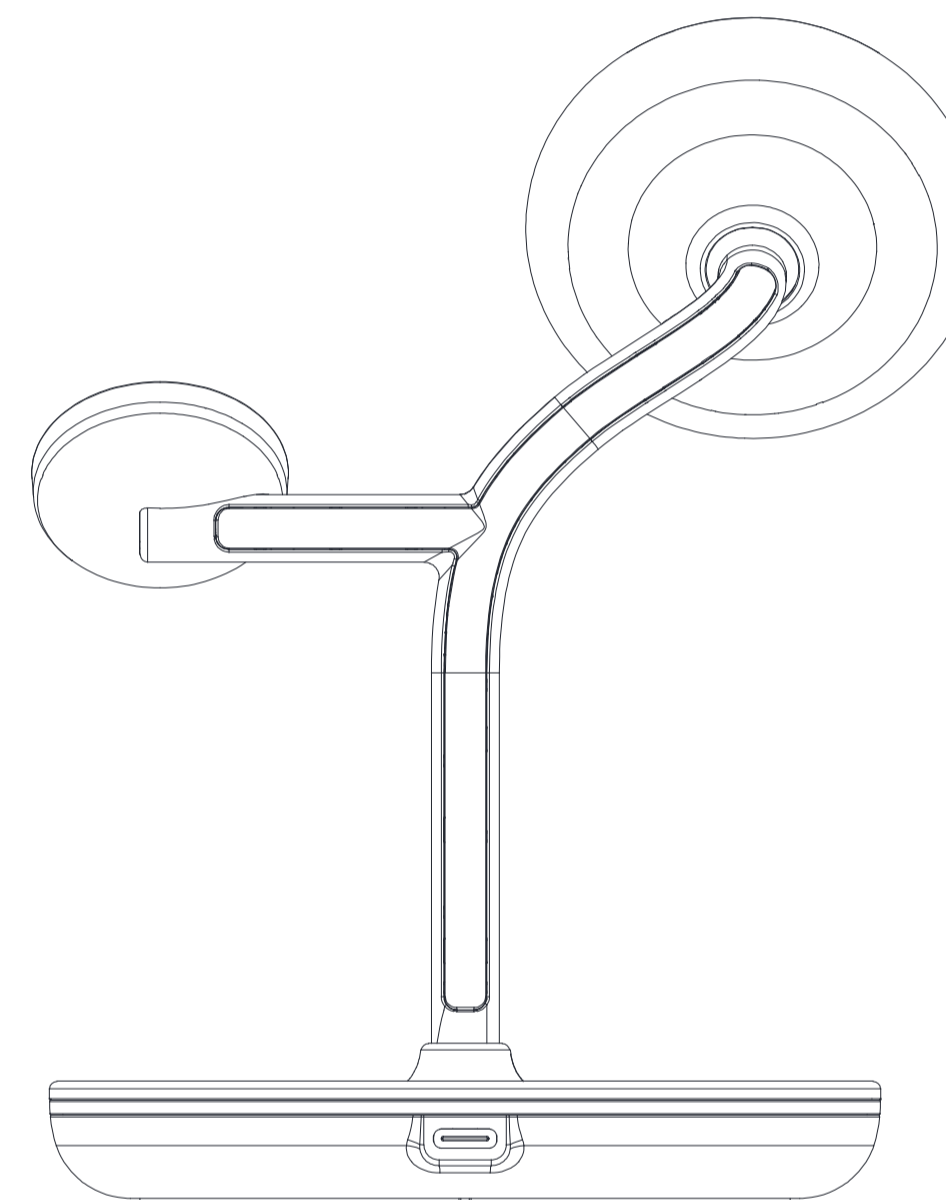
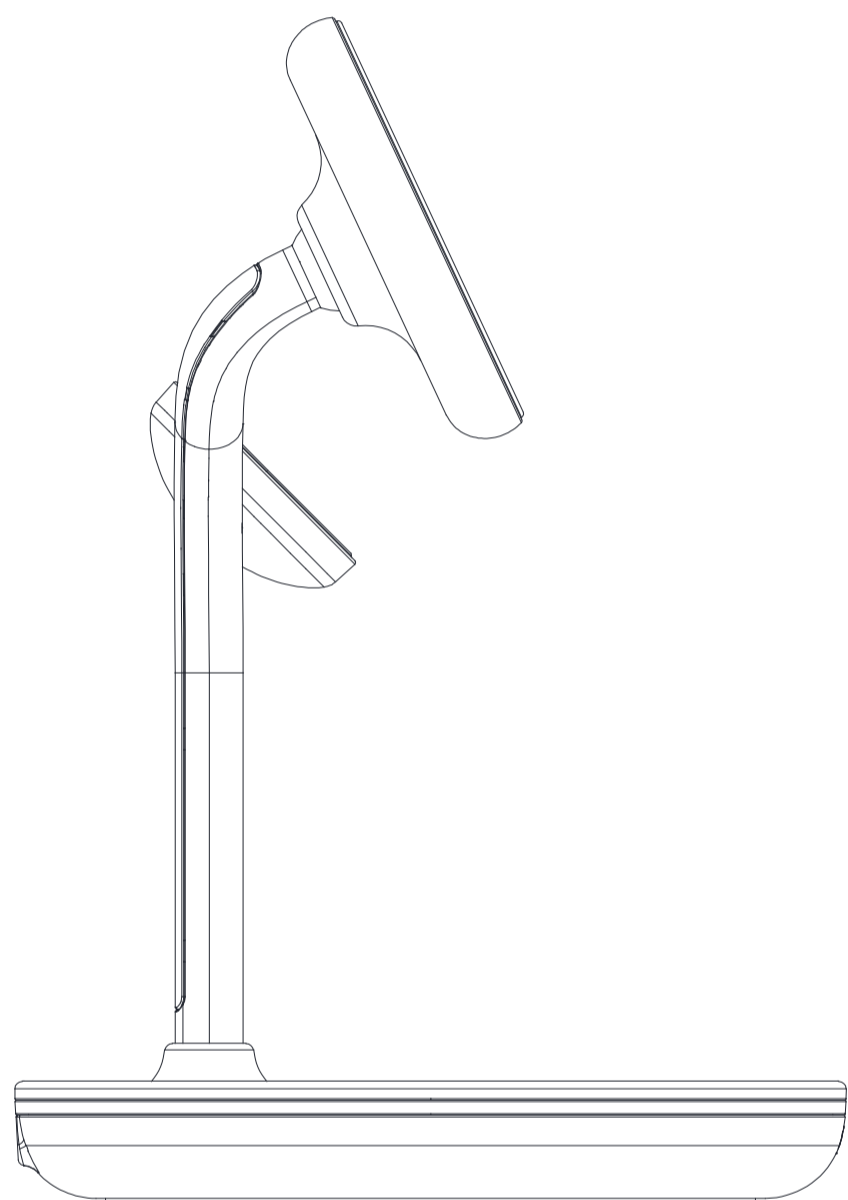


156.6±1

16±0.5



110±1



(Label location: bottom of the device)



Magnetic Wireless Charger
Model No: WD-274C
Input: 5V=3A, 9V=3A, 12V=2.5A
Wireless charging Output 1: 10W for magnetic
Wireless charging Output 2: 5W for AirPods
Wireless charging Output 3: 2.5W for Watch
Total Output: 17.5W(max)
FCC ID: Z8C-WD274C
The device complies with Part 15 of the FCC Rules. Operation is
subject to the following two conditions: (1) this device may not
cause harmful interference, and (2) this device must accept any
interference received, including interference that may cause
undesired operation.
Made in China

APPROVED

CHECKED

DRAWN

CUSTOMER:

CM001389

CUST. P/N.

DRAW NO.

WD274C***

UNIT

mm

SCALE

NONE

DESCRIPTION:

WD274C 3in1 Wireless Charger



SHENZHEN DNS INDUSTRIES CO., LTD.

Add: 23F, building A, Shenzhen International Innovation Center,
1006 Shennan Road, Futian, Shenzhen, China
Tel: +86-755-83401338
Fax: +86-755-83301489
Web: www.dnsindustries.com