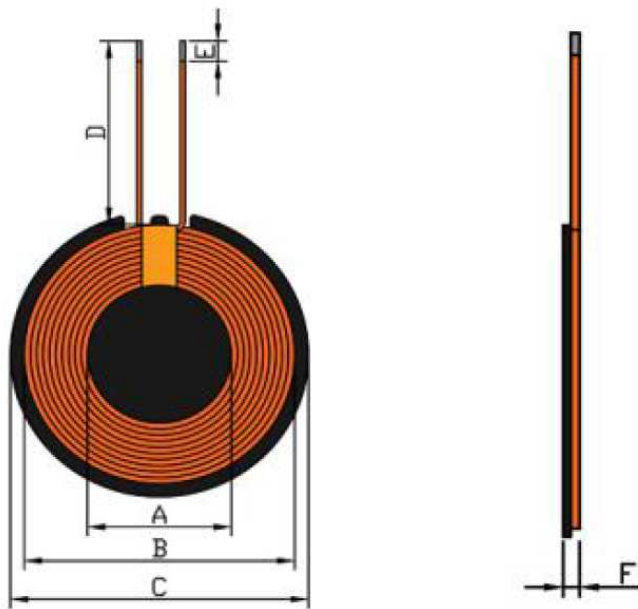




**Coli 1 – 15W**

Turns: 10  
 Layer: 1



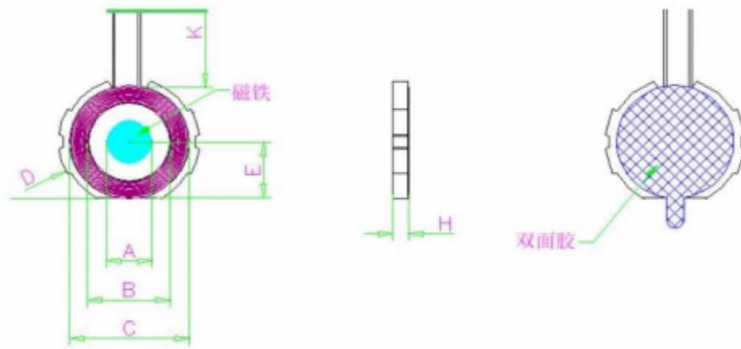
Unit: mm

<b>A</b>	<b>B</b>	<b>C</b>	<b>D</b>	<b>E</b>	<b>F</b>
20.5±0.5	39.0±0.5	42.5±0.5	9.0±1.0	2.0±1.0	2.3 max.

**Coil 2 – 5W**

Turns: 12

Layer: 1



Unit: mm

A	B	C	D	E	K	H
7.6±1.0	14.5± 1.0	20.7± 1.0	25.0± 1.0	9.7± 1.0	8.0±2.0	2.8±0.3

**SHENZHEN DNS INDUSTRIES CO., LTD.**

23/F Building A, Shenzhen International Innovation Center, No.1006 Shennan Road,  
Futian, Shenzhen, China