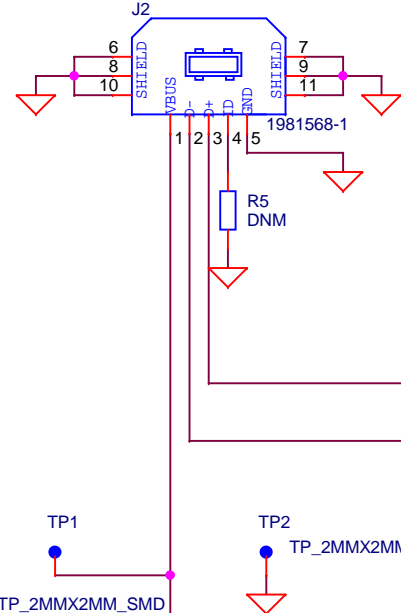
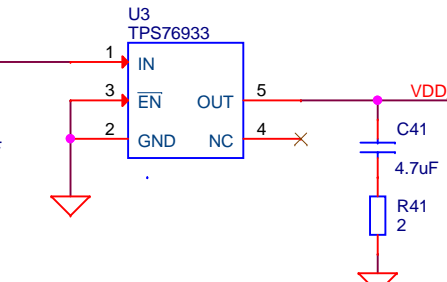


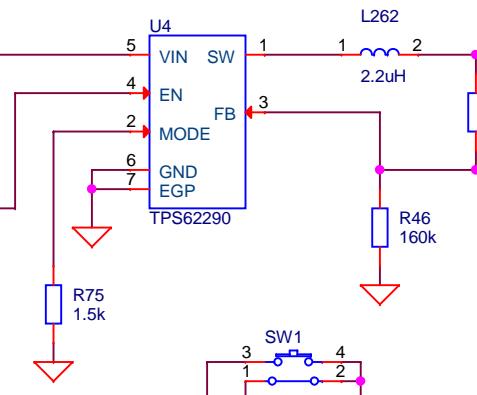
USB interface



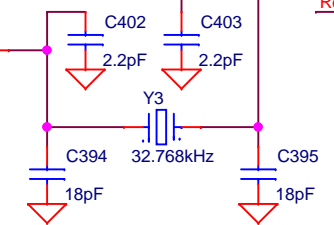
Voltage regulator (LDO)



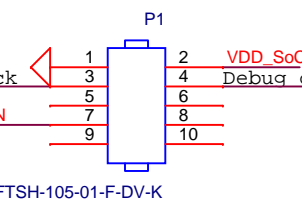
DC-DC for low loss 3.33V LED voltage supply



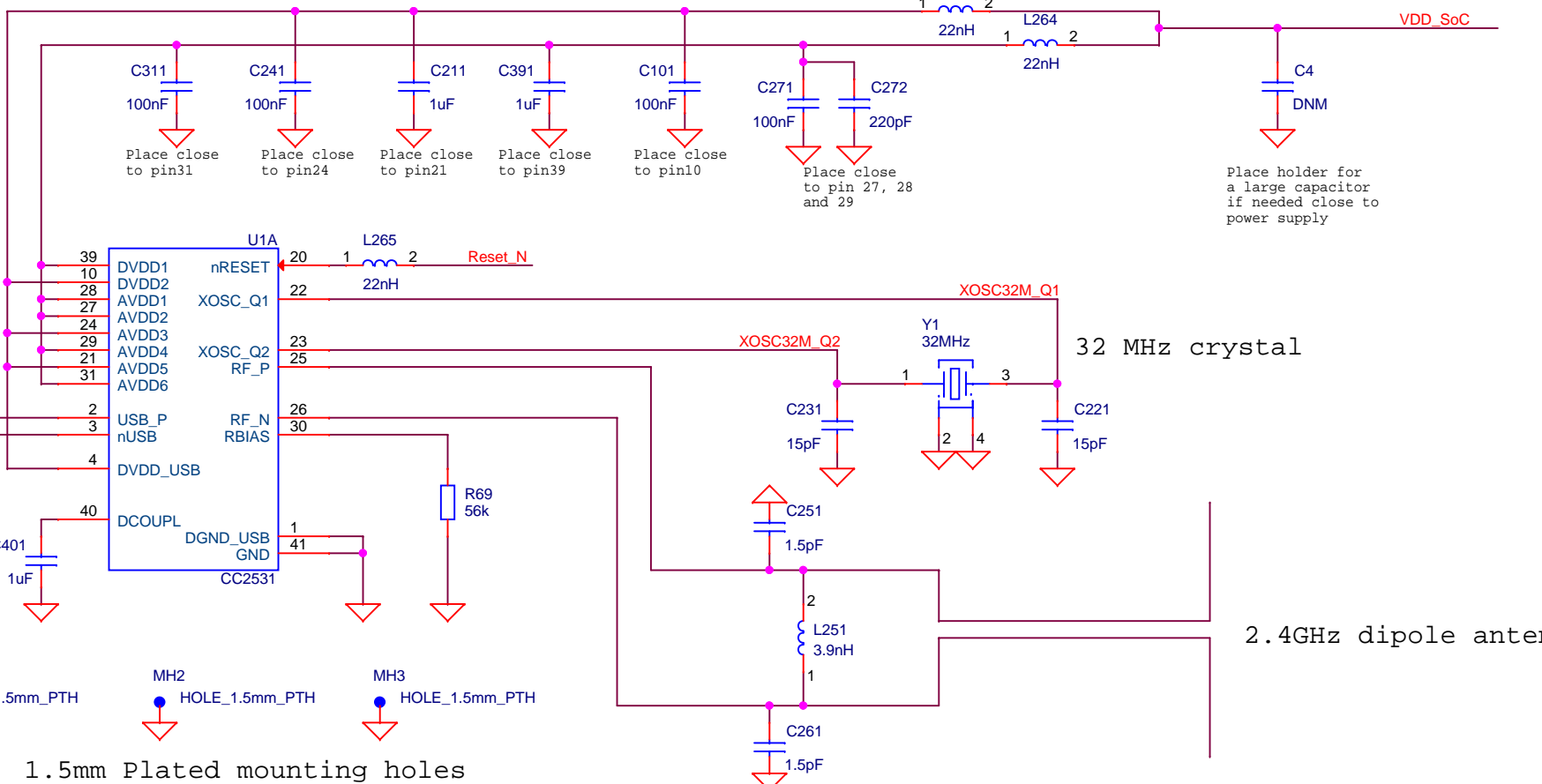
32.768kHz crystal



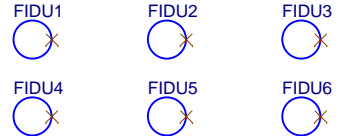
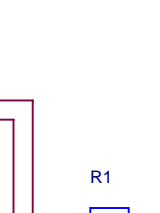
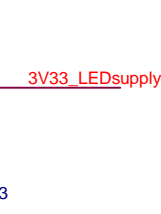
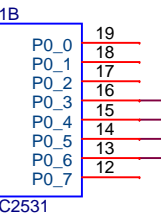
Debug header



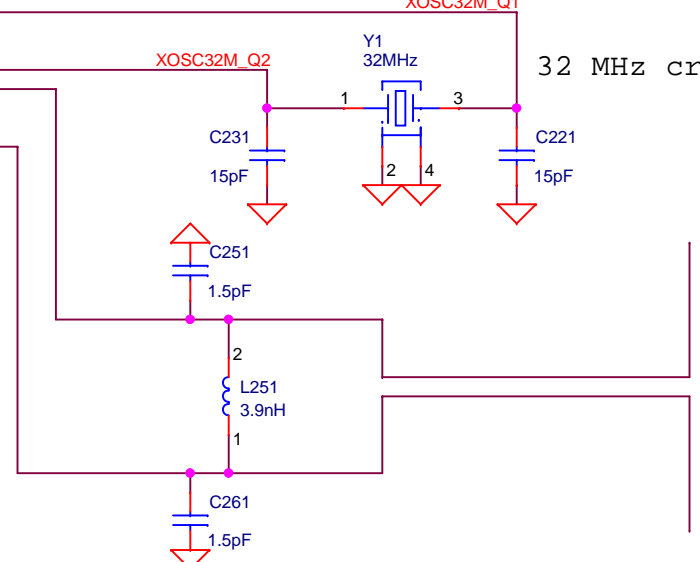
Radio supply voltage



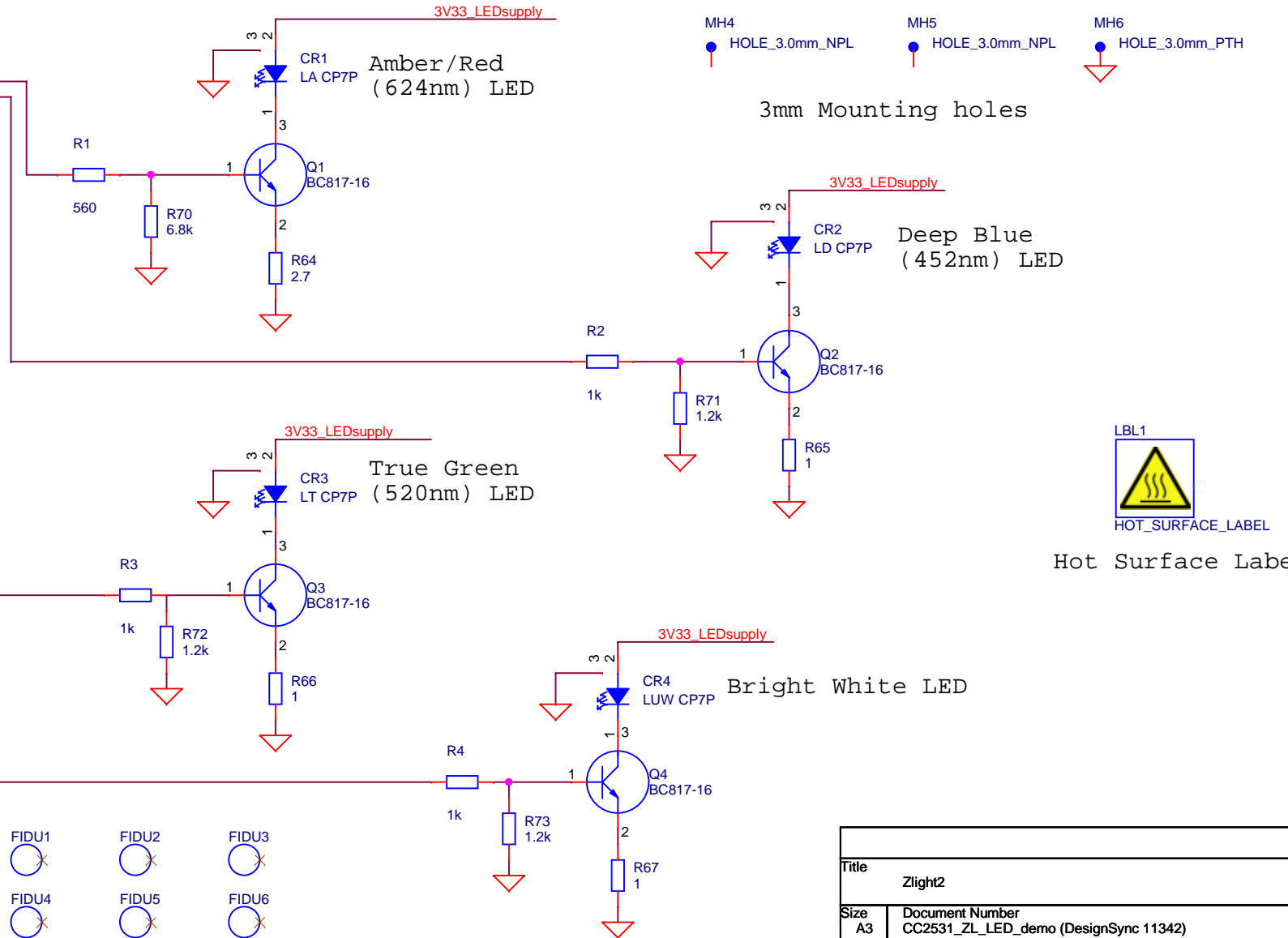
1.5mm Plated mounting holes



2.4GHz dipole antenna



3mm Mounting holes



Hot Surface Label

Title		
Zlight2		
Size	Document Number	Rev
A3	CC2531_ZL_LED_demo (DesignSync 11342)	3.2
Date:	Thursday, November 08, 2012	Sheet 1 of 1