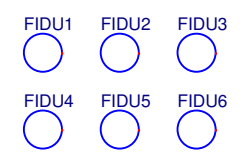
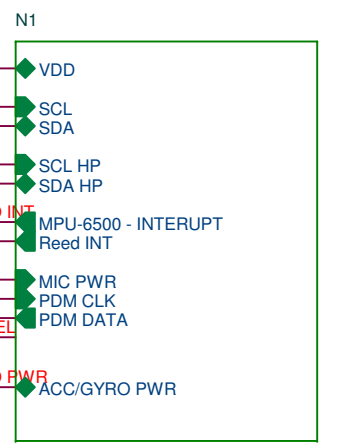
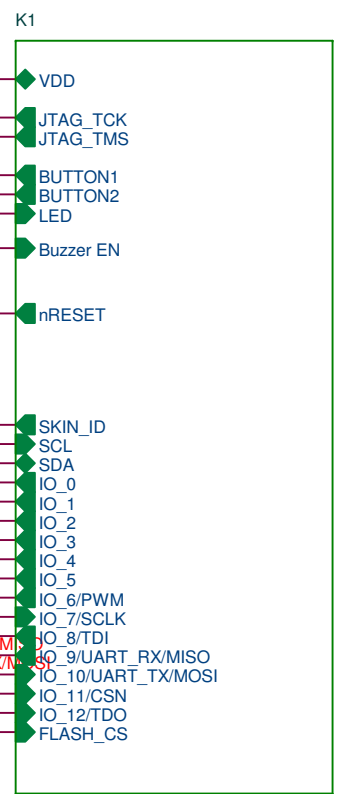

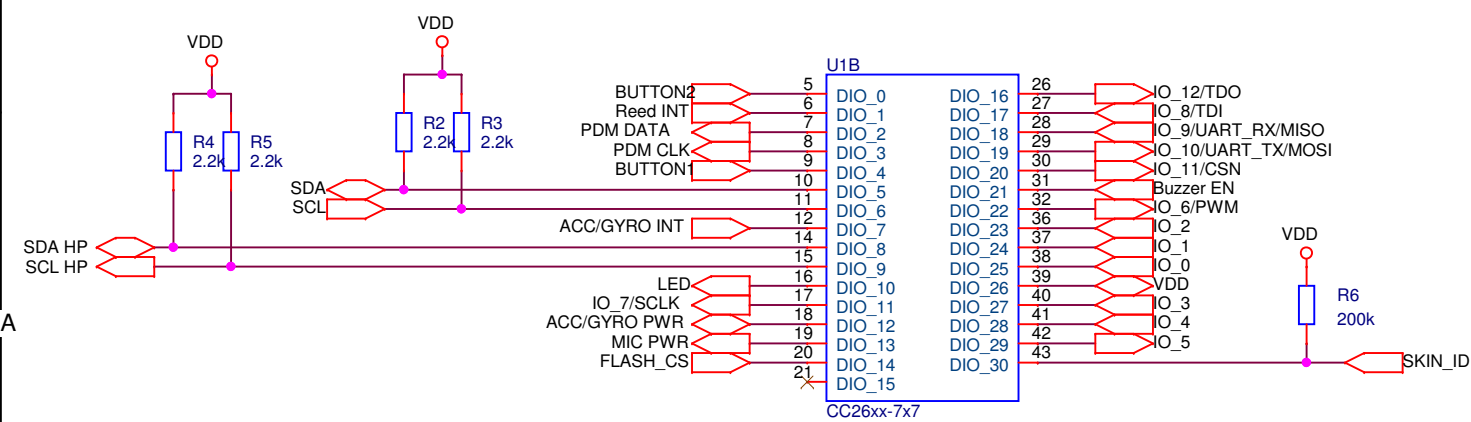
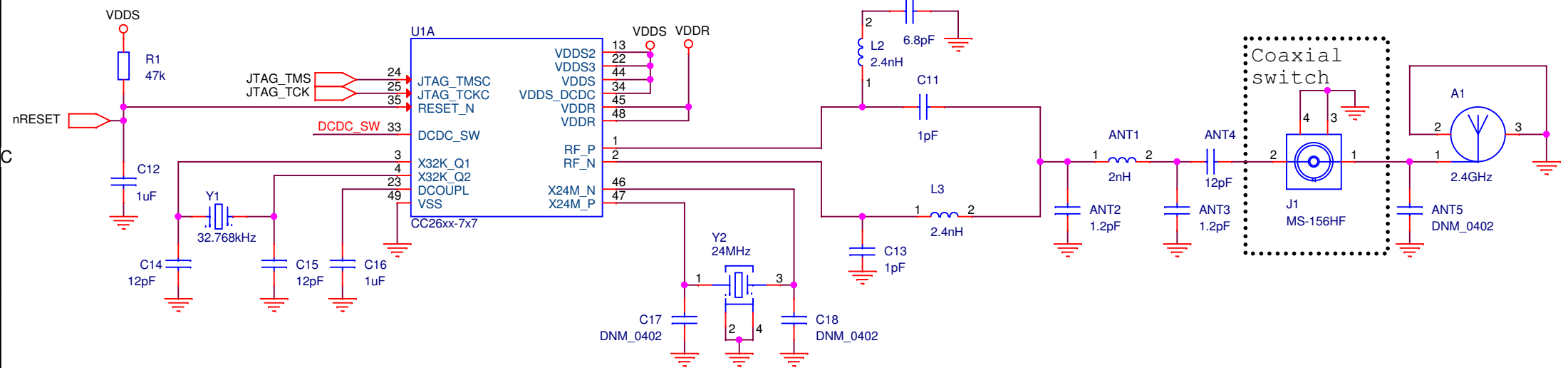
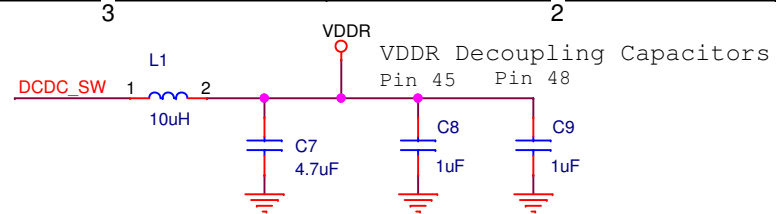
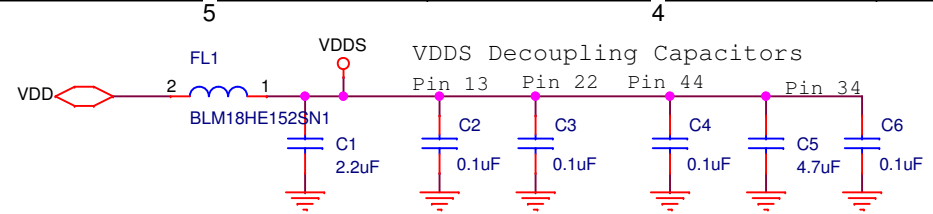


CC2650

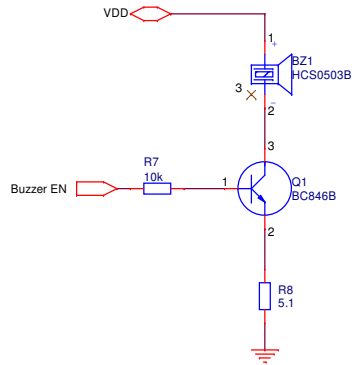


Title: xTAG			
Drawn: NN			
Checked: NN			
Size: A4	Rev: 0.4	Sheet: 1 of 4	
Date: Thursday, January 09, 2014			

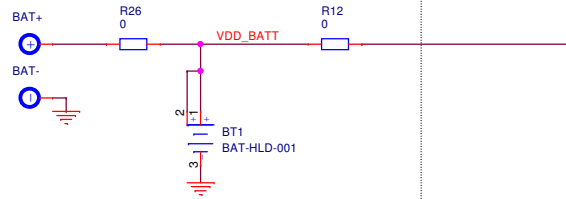


Title: xTAG		
Drawn: NN		
Checked: NN		
Size: A4	Rev: 0.4	Sheet: 2 of 4
Date: Thursday, January 09, 2014		

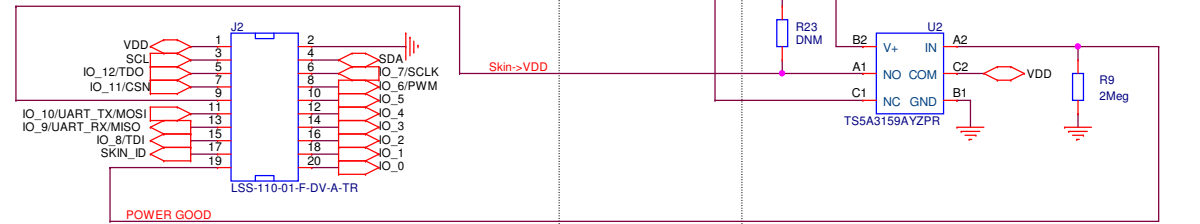
Buzzer



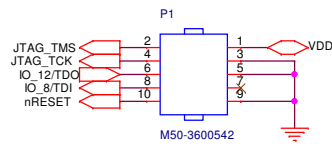
Battery interface



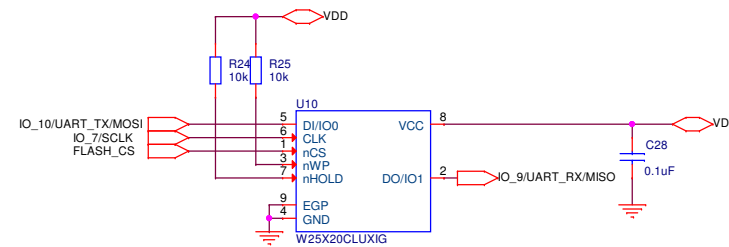
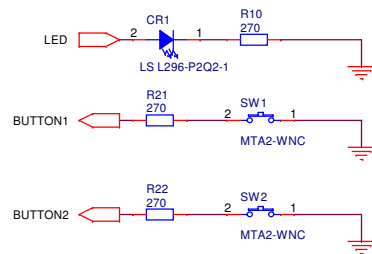
SKIN Connector



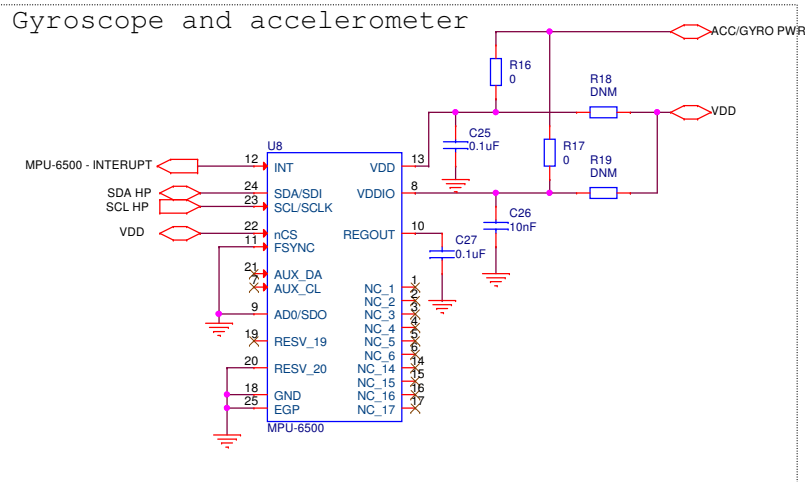
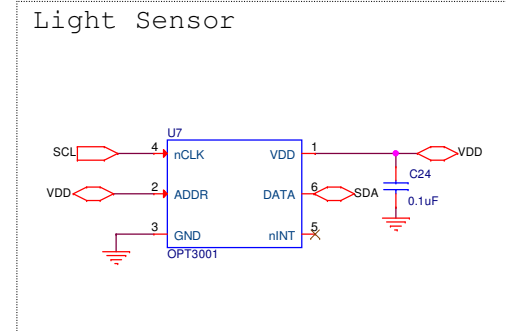
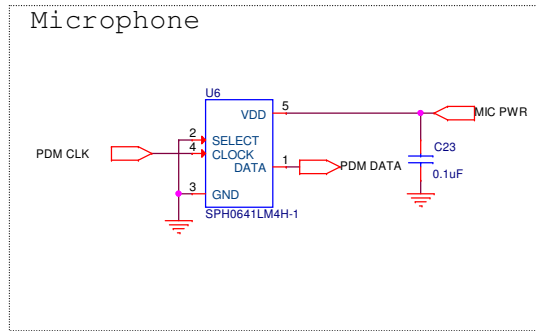
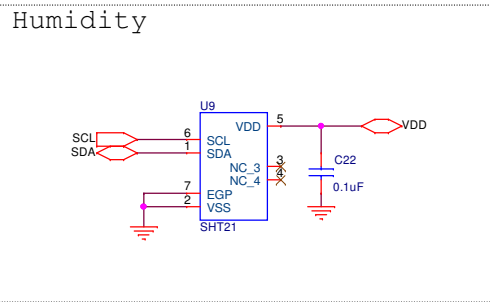
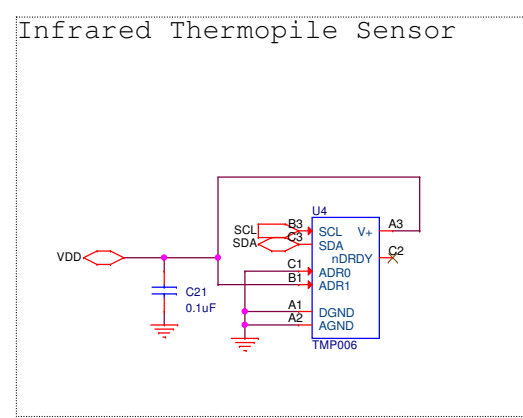
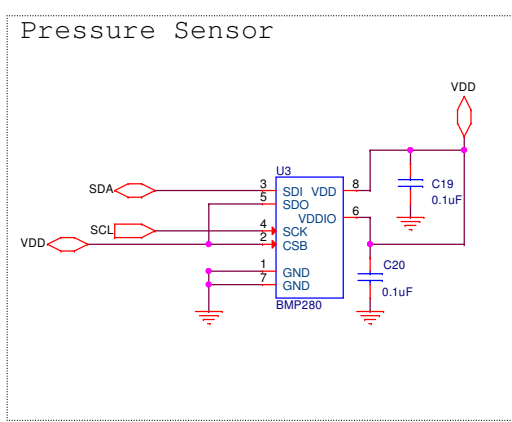
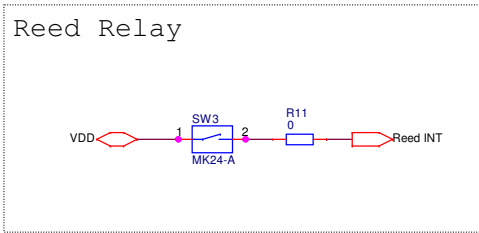
Debug / JTAG interface



LED and Buttons



Title: xTAG			
Drawn: NN			
Checked: NN			
Size: A3	Rev: 0.4	Sheet: 3	of 4
Date: Thursday, January 09, 2014			



Title:	xTAG		
Drawn:	NN		
Checked:	NN		
Size:	A3	Rev: 0.4	Sheet: 4 of 4
Date:	Thursday, January 09, 2014		