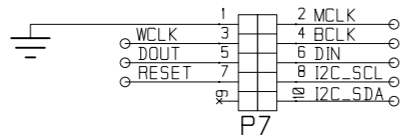
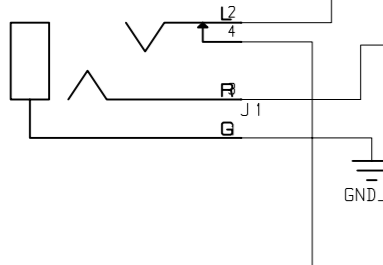


CONTRACT NO.		COMPANY NAME Texas Instruments			
APPROVALS	DATE	DWG CC8531 Headset design			
DRAWN PEH/OAT	16.12-2010	SIZE A3	FSCM NO.	DWG NO.	REV. 1.3
CHECKED		SCALE		SHEET of 4	
ISSUED					

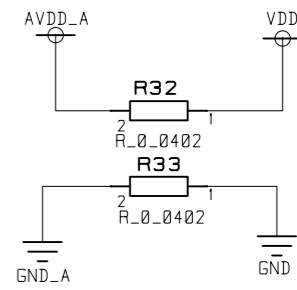
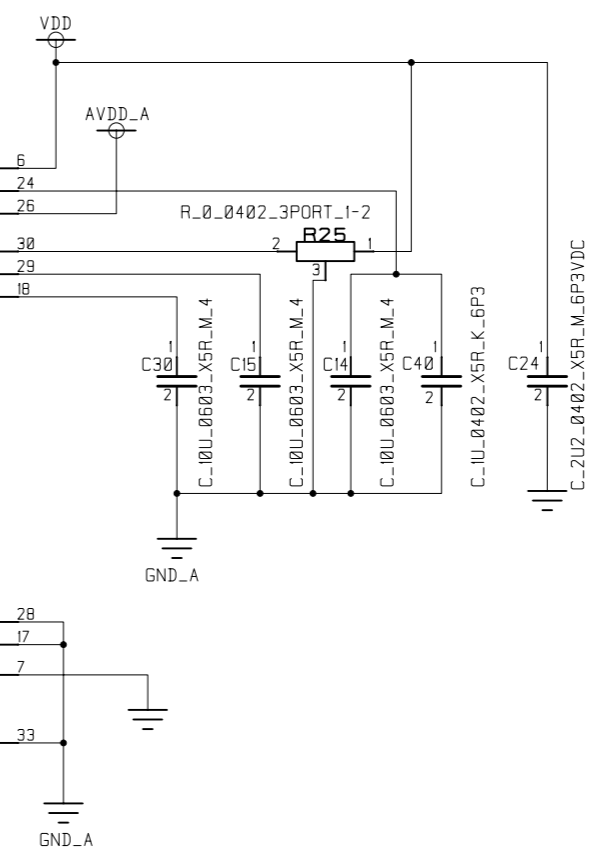
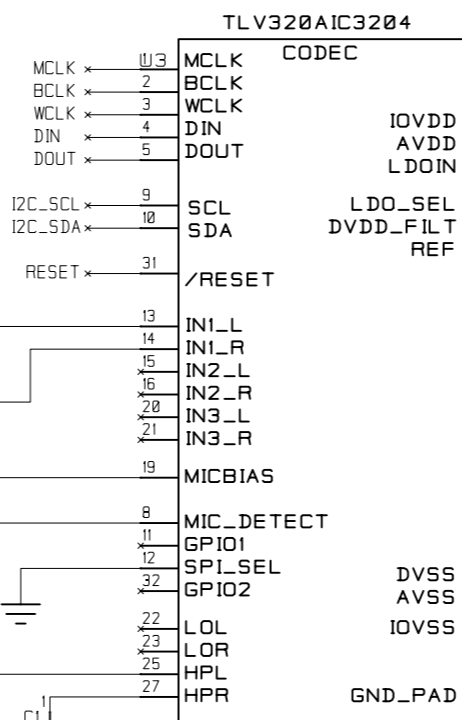
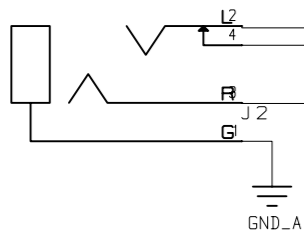
Test/Debug
 STL21_NOT_MOUNTED
 Do not mount



Mic/Line IN JACK
 STEREO_MINIJACK_SMD2

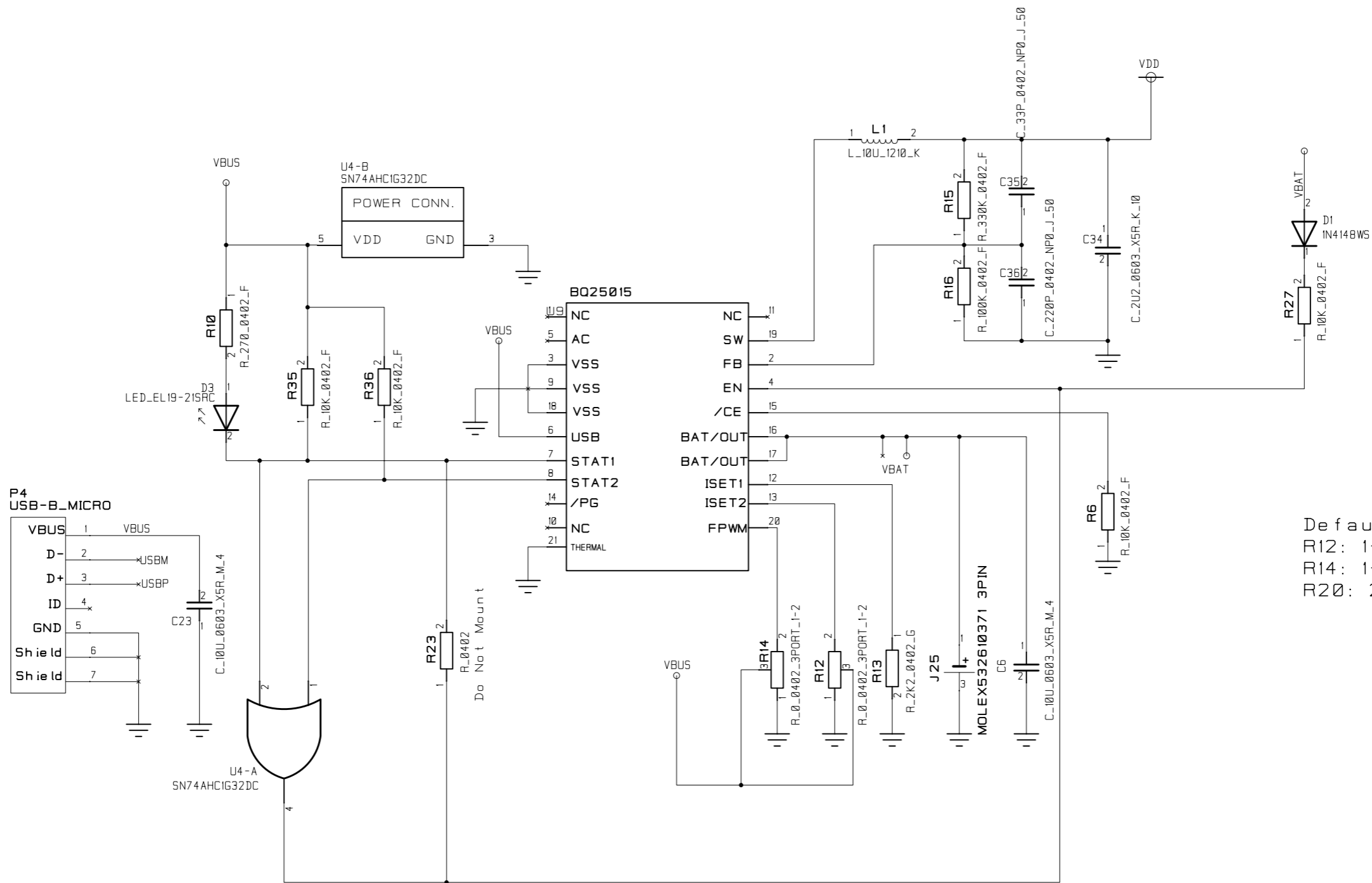


Headphone Jack
 STEREO_MINIJACK_SMD2



Default Mount:
 R25: 2-3

CONTRACT NO.		COMPANY NAME Texas Instruments			
APPROVALS	DATE	DWG Audio Interface			
DRAWN PEH/OAT	16.12-2010	SIZE A3	FSCM NO.	DWG NO.	REV. 1.3
CHECKED		SCALE			SHEET 3 of 4
ISSUED					



Default Mount:
R12: 1-2
R14: 1-2
R20: 2-3

CONTRACT NO.		COMPANY NAME Texas Instruments			
APPROVALS	DATE	DWG Power supply			
DRAWN PEH/OAT	16.12-2010	SIZE A3	FSCM NO.	DWG NO.	REV. 1.3
CHECKED		SCALE		SHEET 4 of 4	
ISSUED					