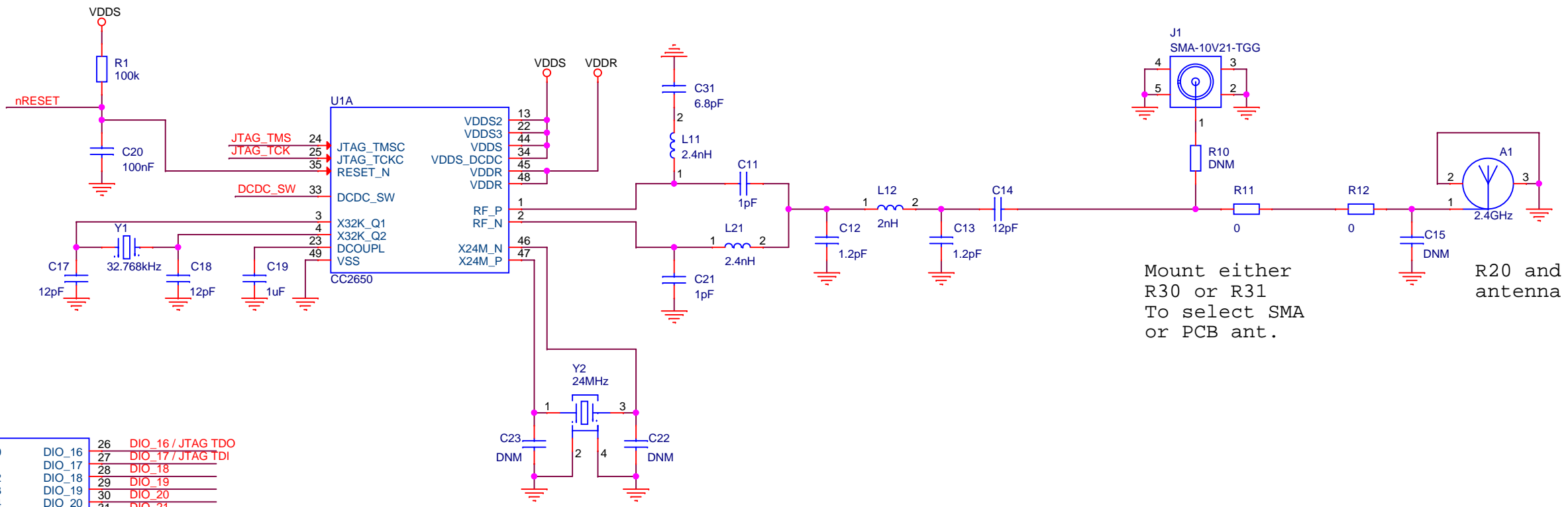
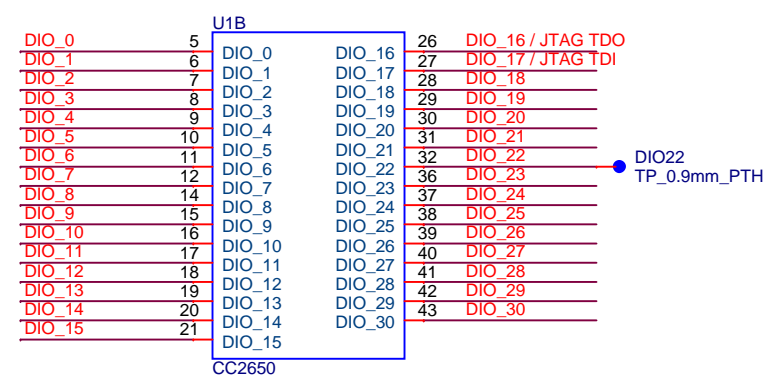


Place L1 and C5 close to pin 33



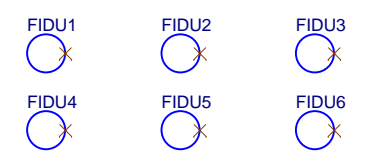
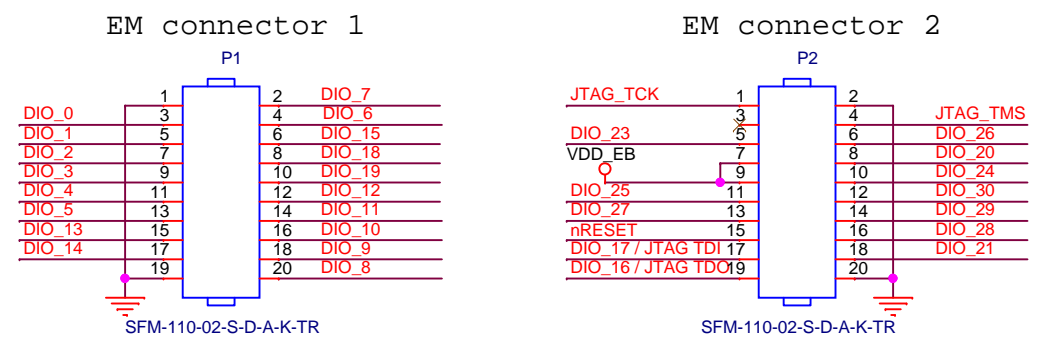
Mount either R30 or R31 To select SMA or PCB ant.

R20 and C26 for antenna match



NOTE:
The CC2650 is a superset of CC2610, CC2620, CC2630 and CC2640. This design can thus be considered a reference design for all of these devices.

Likewise, the CC2650EM board can be used to evaluate the performance for all the above mentioned devices.



Title:	7IDEM	
Drawn:	FGK	
Checked:	NN	
Size:	A3	Rev: 1.2.3
		Sheet: 1 of 1
Date:	Friday, January 31, 2014	