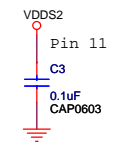
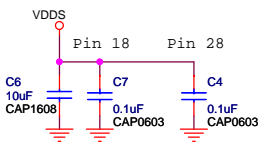


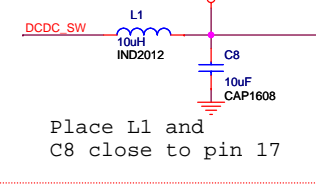
VDDS2 Decoupling Capacitors



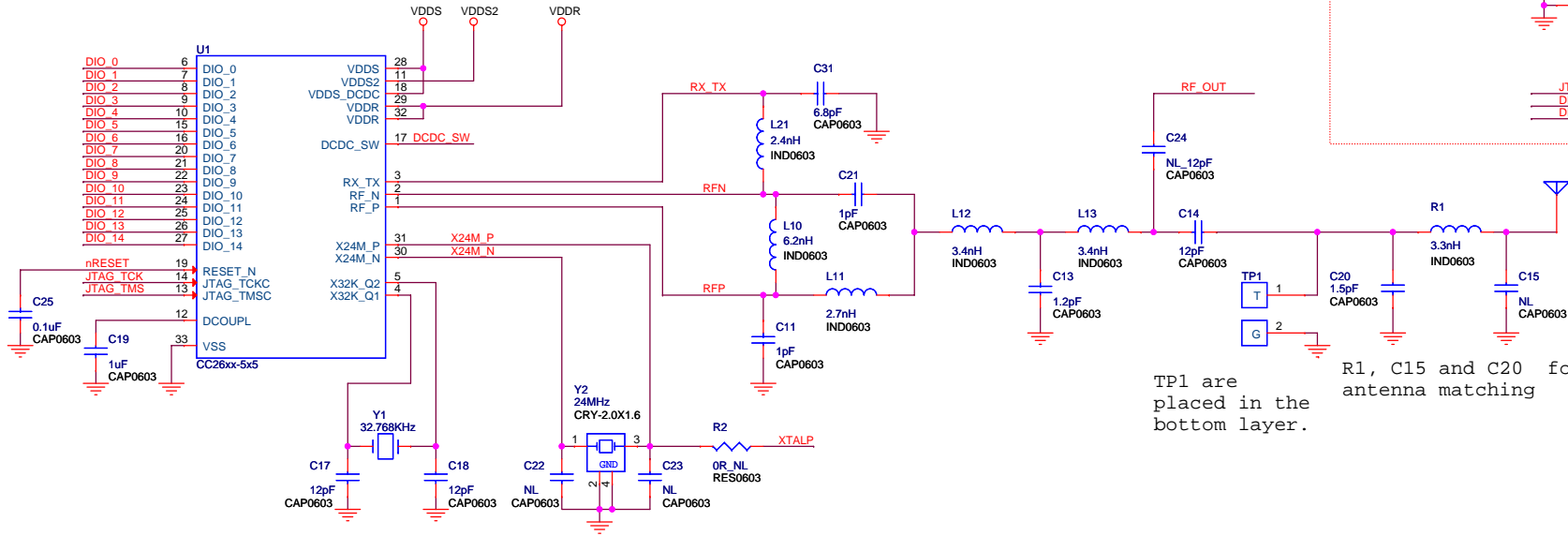
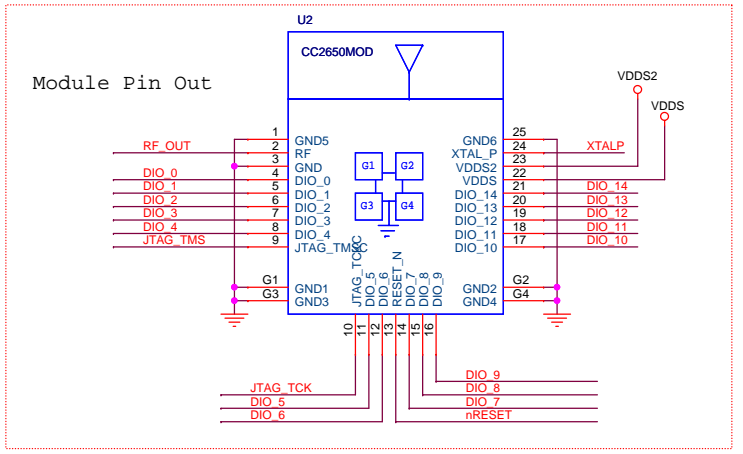
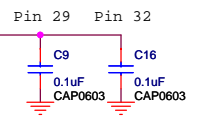
VDDS Decoupling Capacitors



DC-DC Regulator



VDDR Decoupling Capacitors



TP1 are placed in the bottom layer.

R1, C15 and C20 for antenna matching

