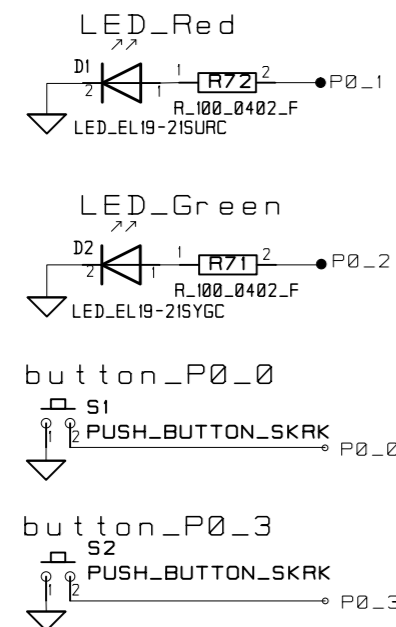
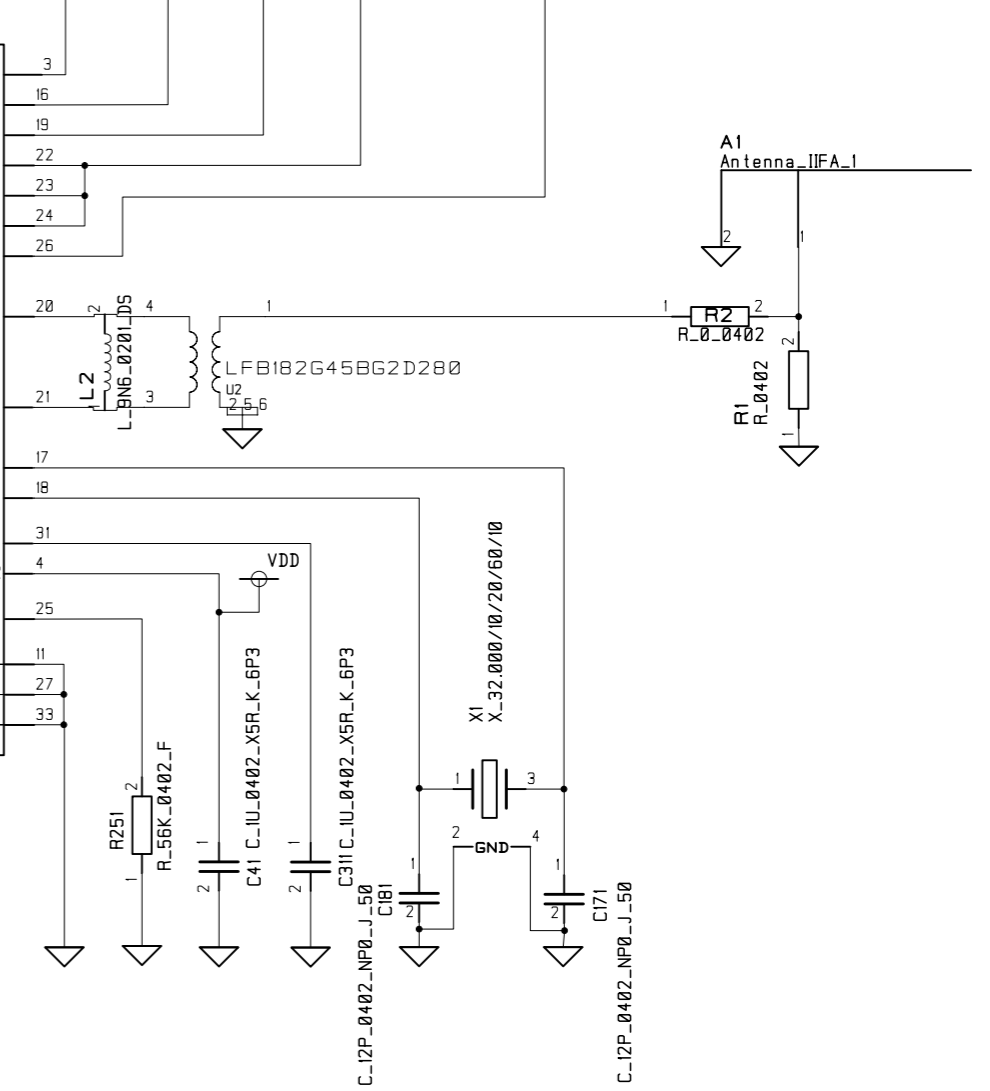
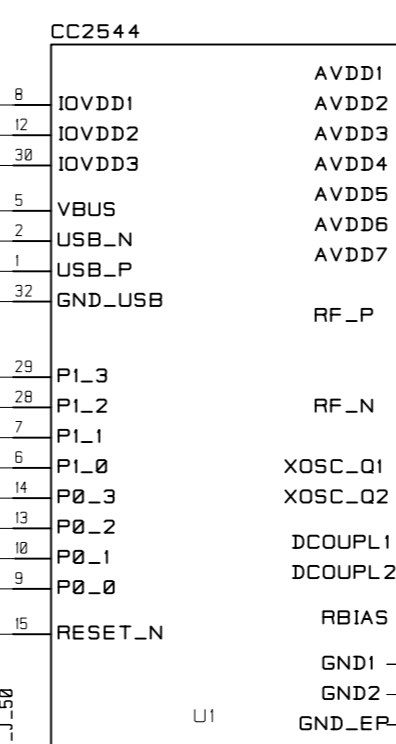
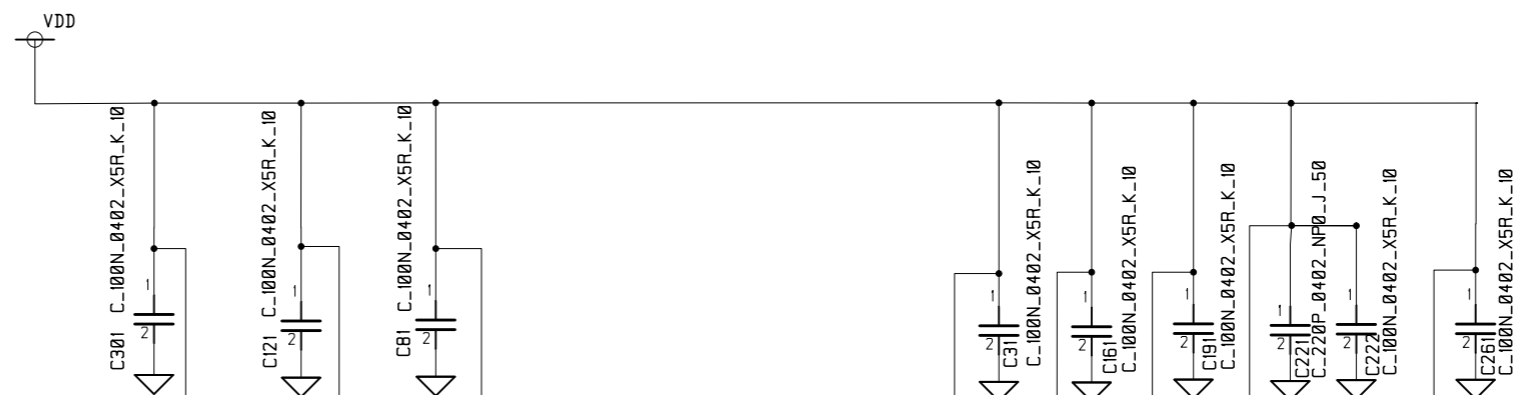
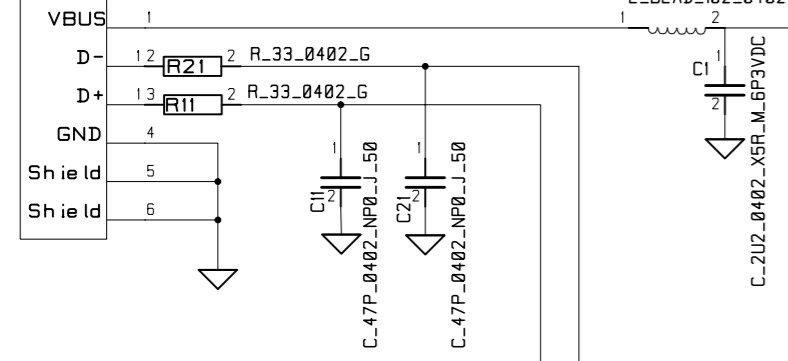
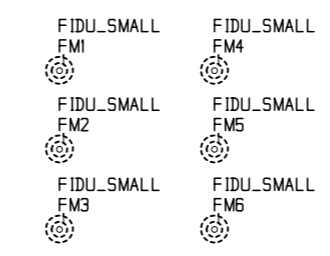
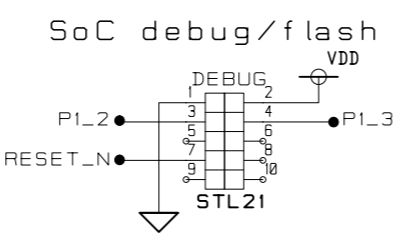
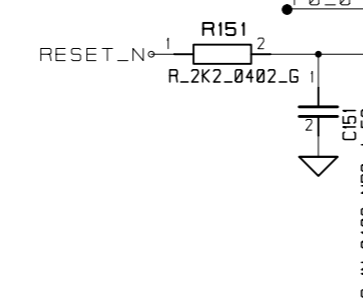


P1
USB_A_tyco



Additional testpins
P2
BL_31_004U
1 - P1_3
2 - P1_2
3 - P1_1
4 - P1_0
P3
BL_31_004U
1 - P0_3
2 - P0_2
3 - P0_1
4 - P0_0



CONTRACT NO.		COMPANY NAME Texas Instruments			
APPROVALS	DATE	DWG CC2544 USB dongle			
DRAWN	FGK	SIZE A4	FSCM NO.	DWG NO.	REV. 1.0
CHECKED		SCALE		SHEET 1(1)	
ISSUED					