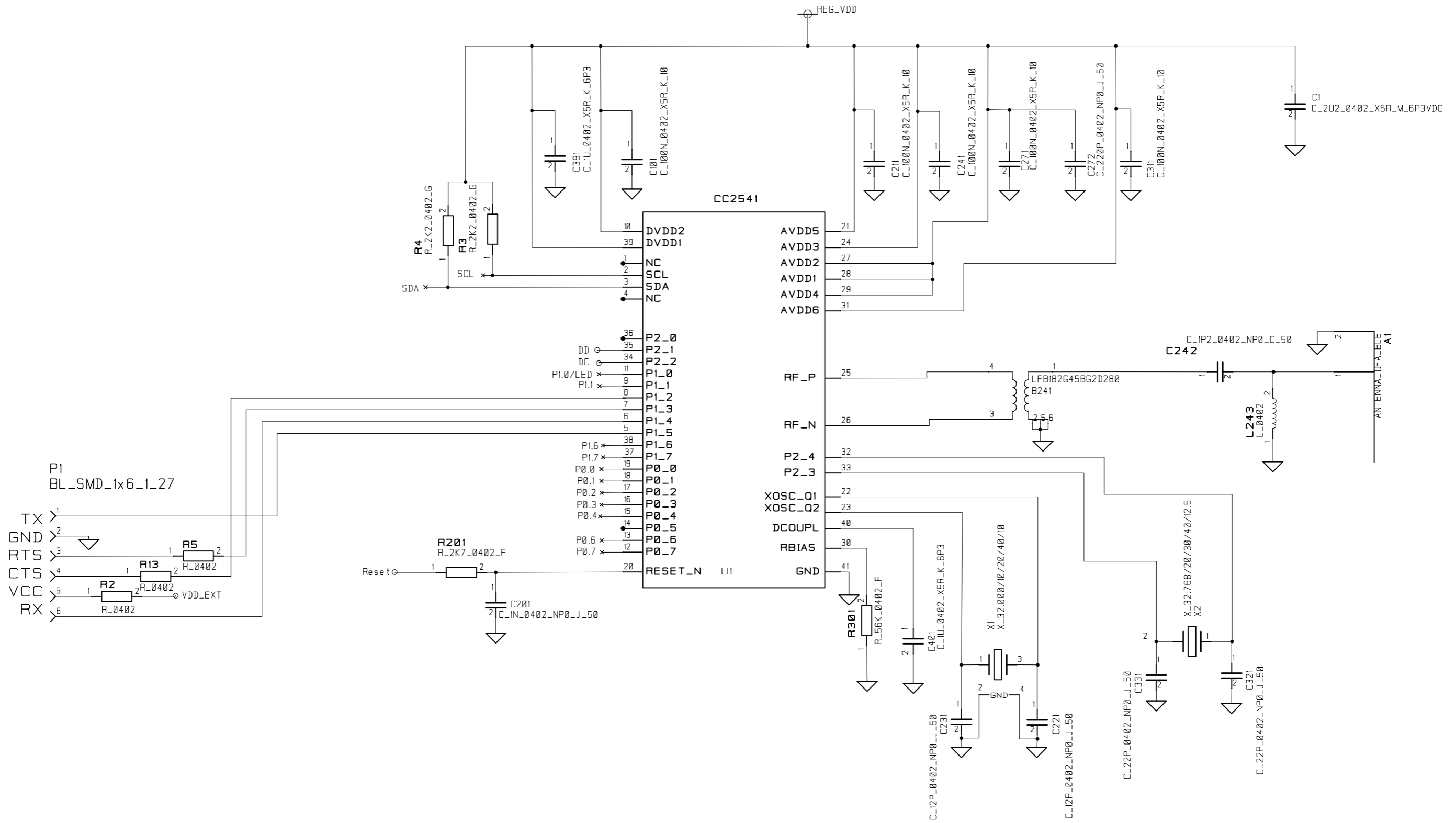
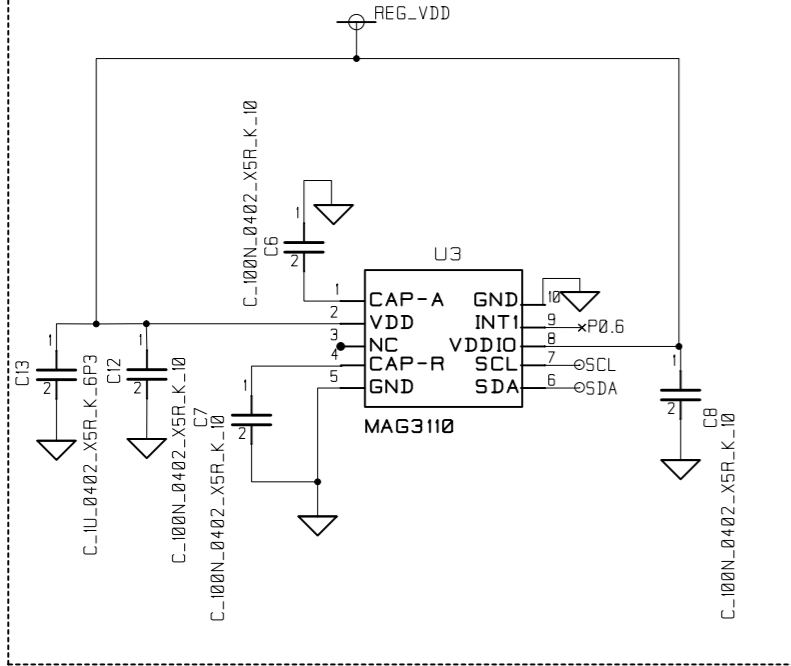


CONTRACT NO.		COMPANY NAME Texas Instruments			
APPROVALS	DATE	DWG BLE sensor tag			
DRAWN	ESS	SIZE A4	FSCM NO.	DWG NO.	REV. 1.1.2
CHECKED		SCALE		SHEET 1 of 4	
ISSUED					

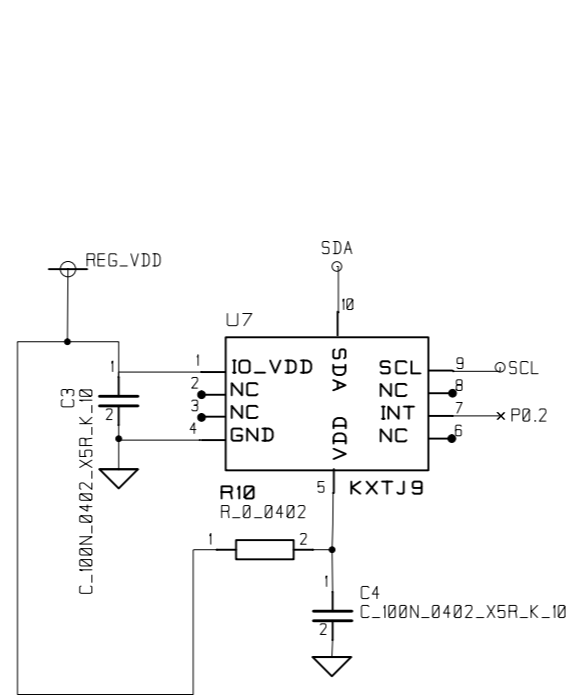


CONTRACT NO.		COMPANY NAME Texas Instruments			
APPROVALS	DATE	DWG BLE sensor tag			
DRAWN	ESS	SIZE	FSCM NO.	DWG NO.	REV. 1.1.2
CHECKED	NN	A4			
ISSUED		SCALE			SHEET 2 of 4

Magnetometer - MAG3110

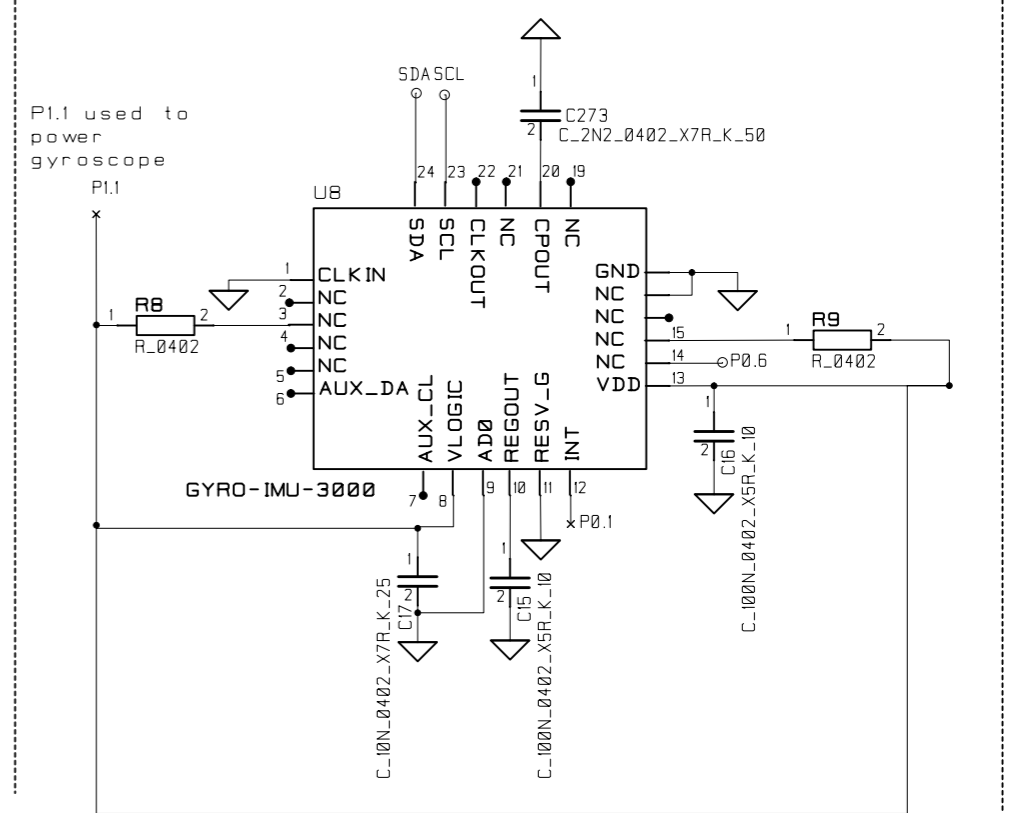


Accelerometer - KXTJ9 - 1007



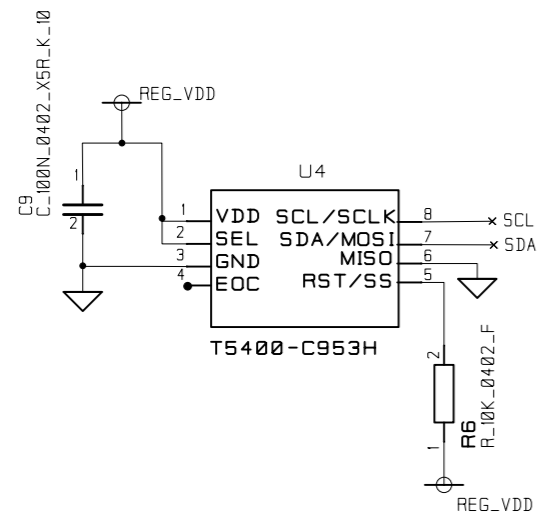
Mount in center of PCB

Gyroscope - IMU-3000/MPU-9150

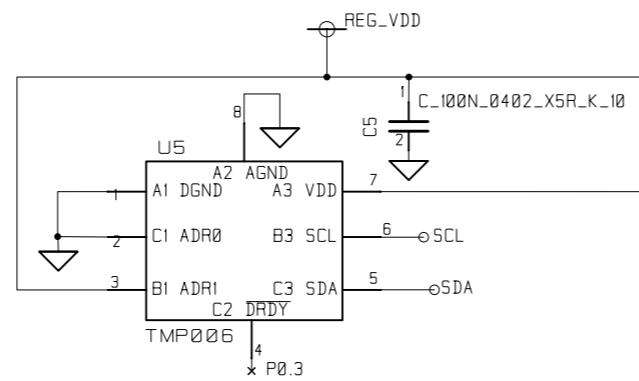


Mount in center of PCB

Pressure Sensor - C953H (T5400)

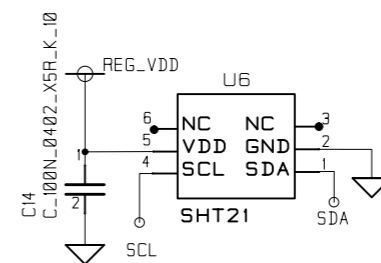


Infrared Thermopile Sensor - TMP006



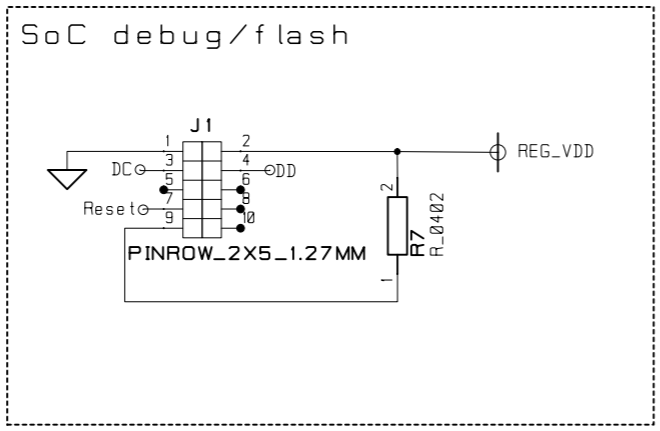
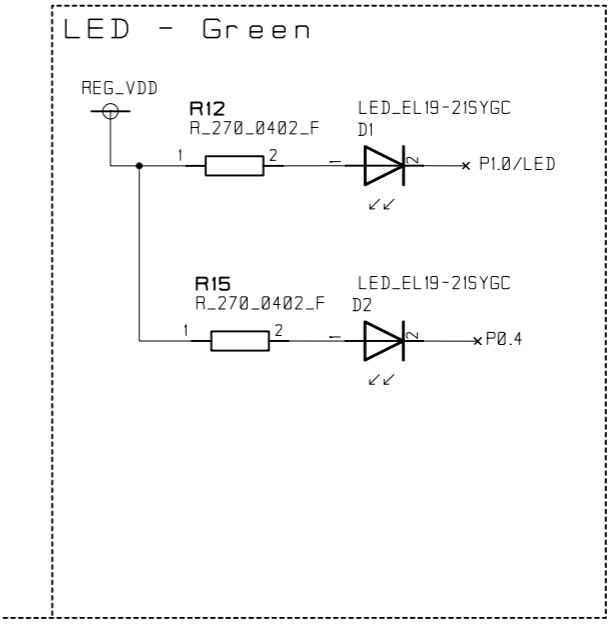
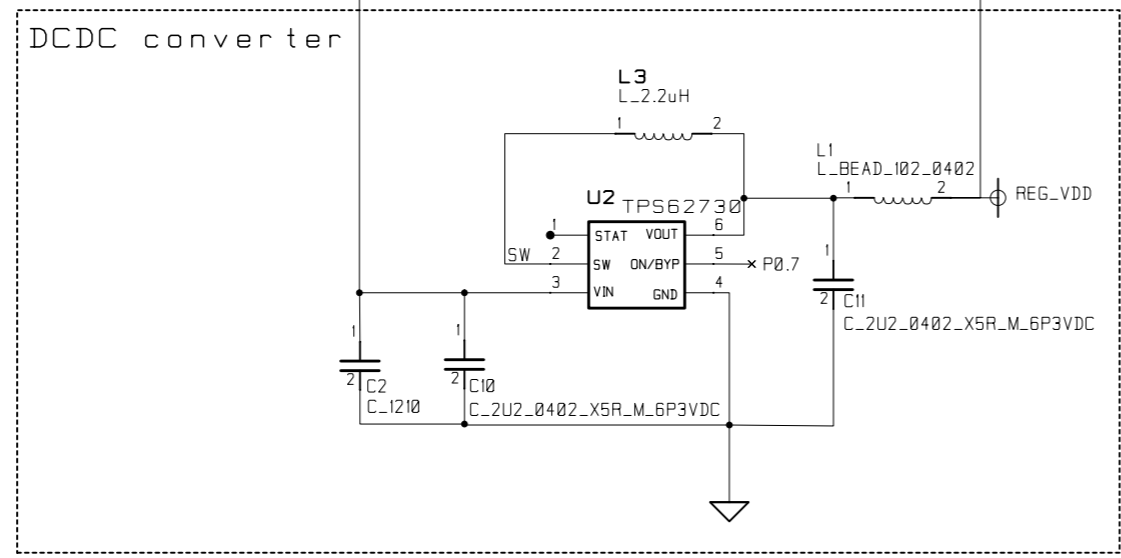
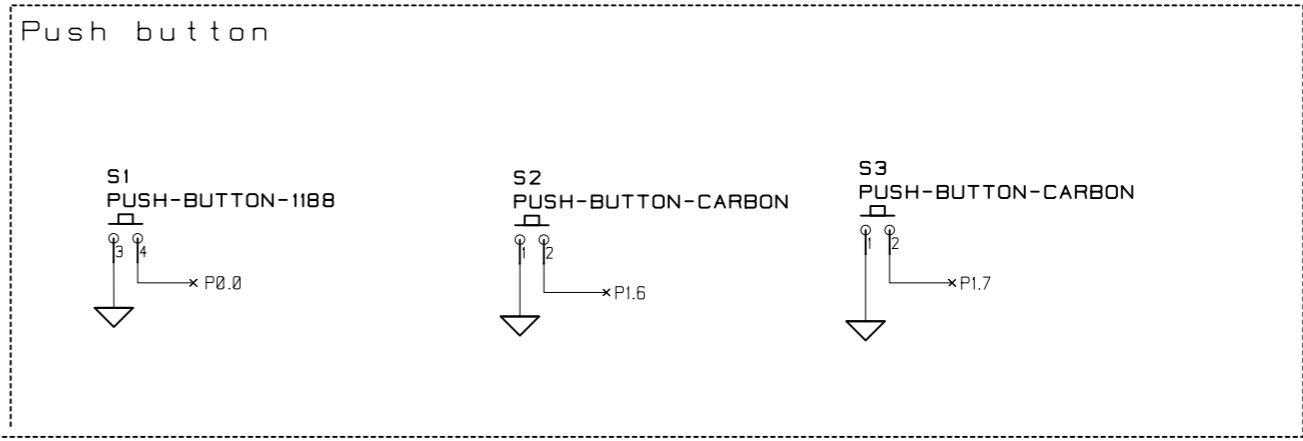
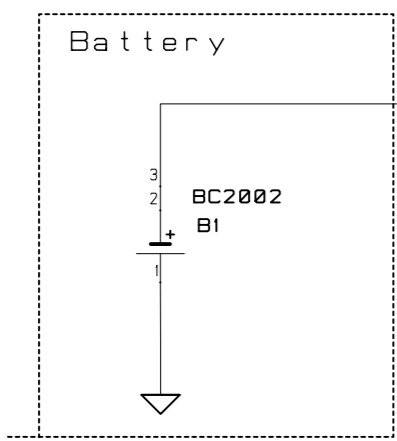
Please note PCB layout

Humidity - SHT21



Please note PCB layout

CONTRACT NO.		COMPANY NAME Texas Instruments			
APPROVALS	DATE	DWG BLE sensor tag			
DRAWN	ESS	SIZE	FSCM NO.	DWG NO.	REV. 1.1.2
CHECKED		A4			
ISSUED		SCALE			SHEET 3 of 4



CONTRACT NO.		COMPANY NAME Texas Instruments			
APPROVALS	DATE	DWG BLE sensor tag			
DRAWN	ESS	SIZE A4	FSCM NO.	DWG NO.	REV. 1.1.2
CHECKED		SCALE		SHEET 4 of 4	
ISSUED					