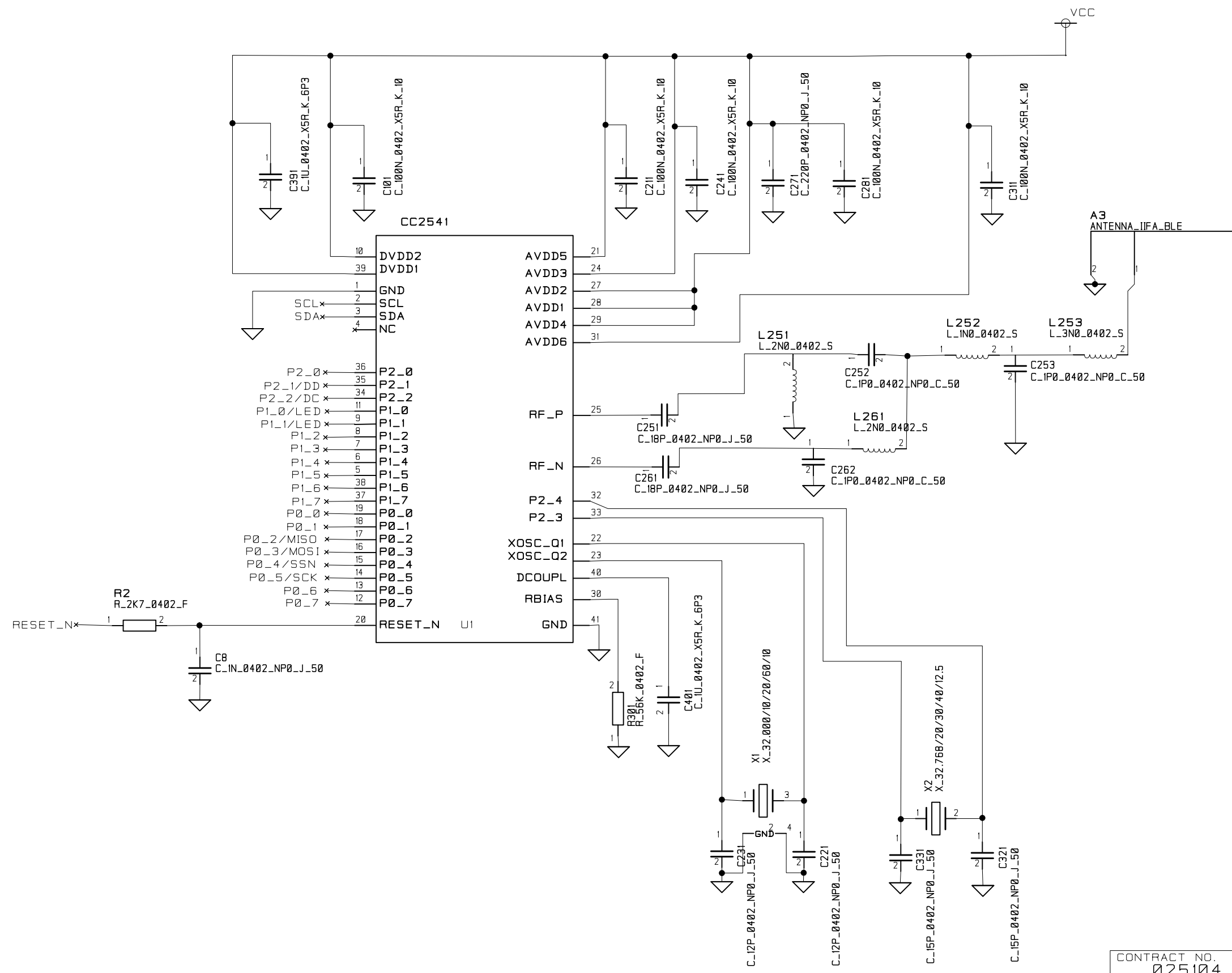
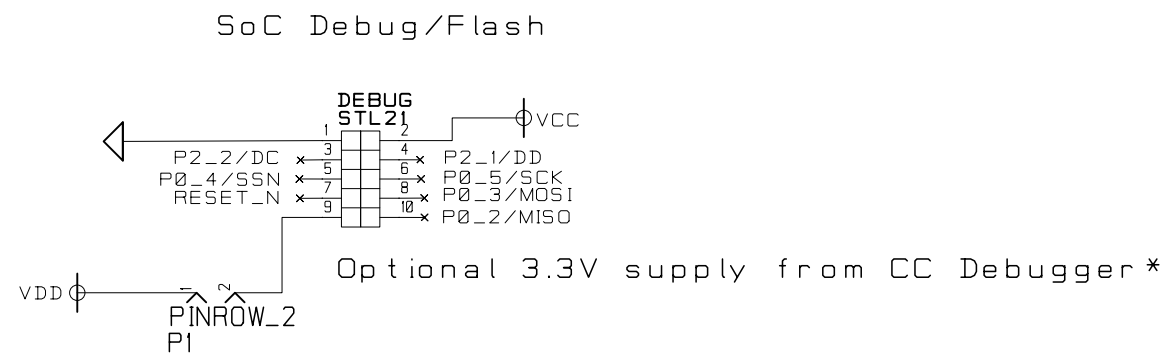


CONTRACT NO. 025104		COMPANY NAME Texas Instruments			
APPROVALS	DATE	DWG CC2541 Keyfob			
DRAWN	AAC	SIZE	FSCM NO.	DWG NO.	REV. 1.4.0
CHECKED		A4			
ISSUED		SCALE		SHEET 1(3)	

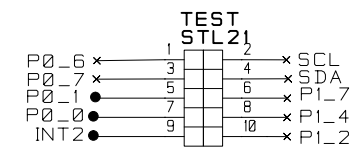


Not mount: R10

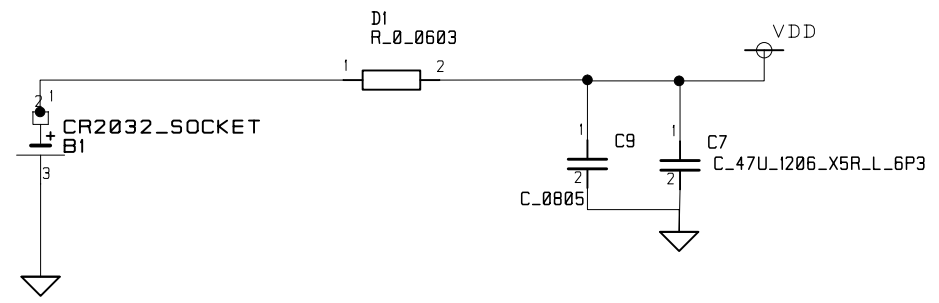
CONTRACT NO. 025104		COMPANY NAME Texas Instruments			
APPROVALS	DATE	DWG CC2541 RF-SOC			
DRAWN	AAC	SIZE	FSCM NO.	DWG NO.	REV. 1.4.0
CHECKED		A4			
ISSUED		SCALE			SHEET 3(3)



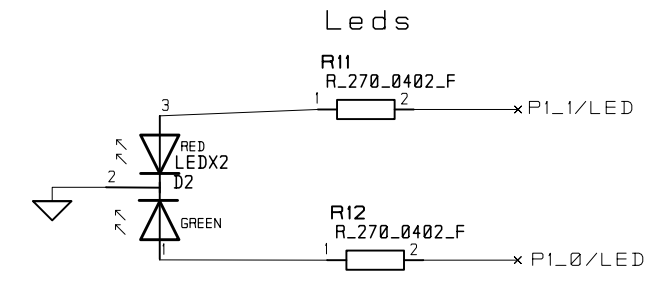
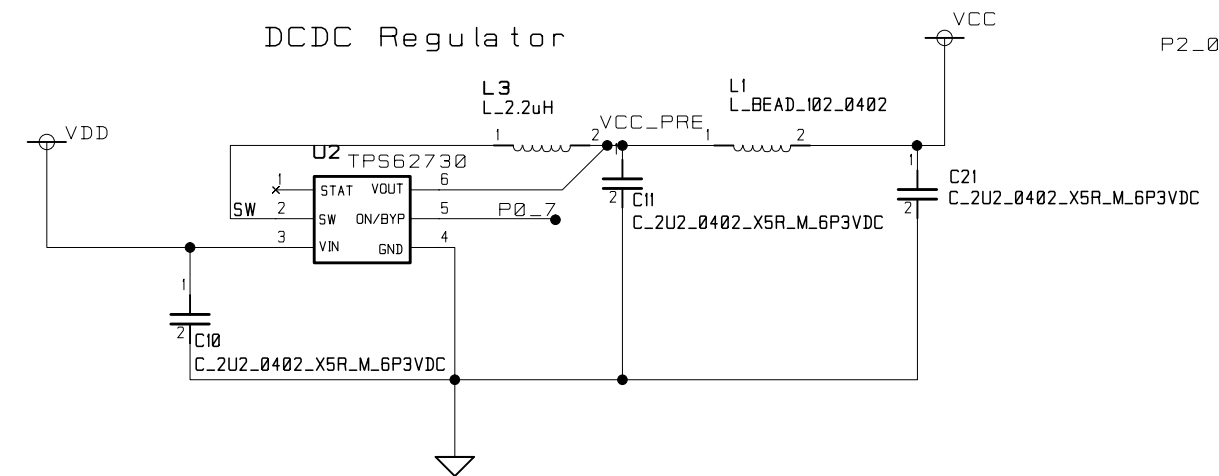
Additional testpins



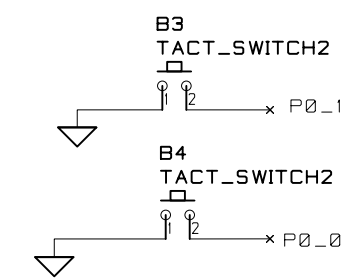
Coin Cell Batt.



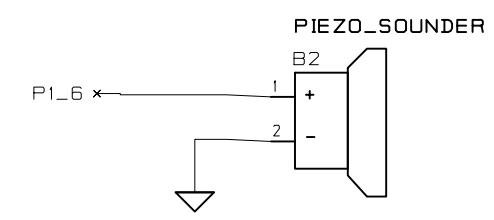
DCDC Regulator



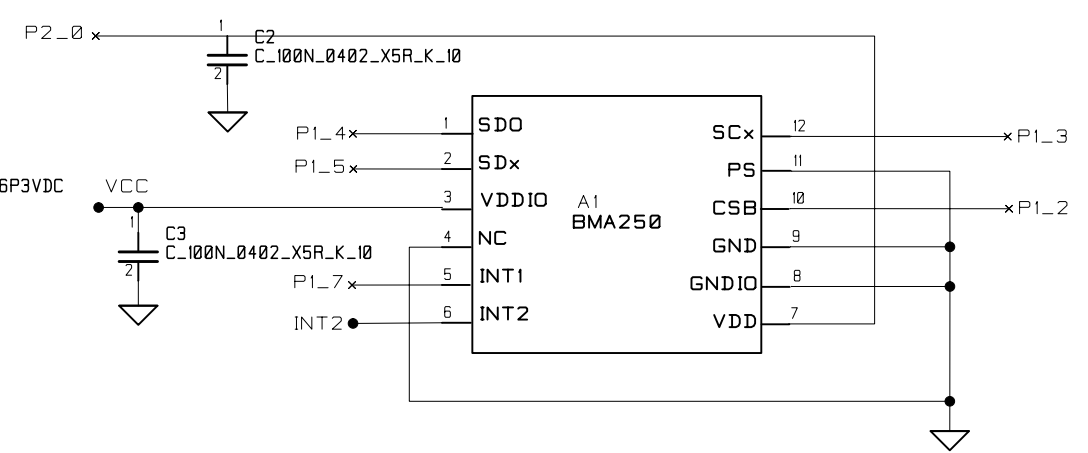
Buttons



Buzzer



Acc meter



Not mount: C9

*Short P1.1 and P1.2 to use supply from CC Debugger
Warning : Remove coin cell battery when using supply from CC Debugger

CONTRACT NO. 025104		COMPANY NAME Texas Instruments			
APPROVALS	DATE	DWG CC2541 Keyfob			
DRAWN	AAC	SIZE A4	FSCM NO.	DWG NO.	REV. 1.4.0
CHECKED		SCALE			SHEET 4 (3)
ISSUED					