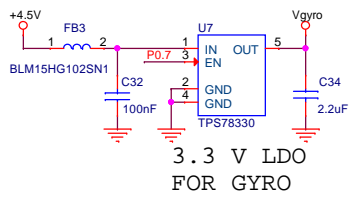
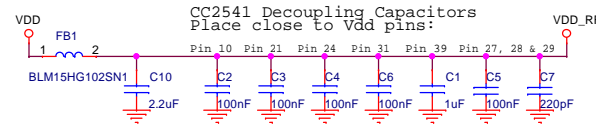


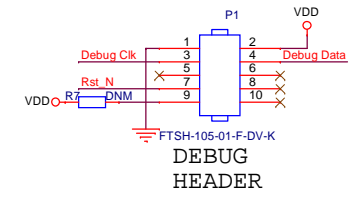
3.3 V LDO



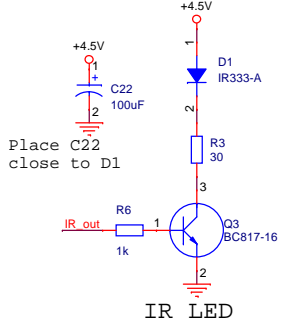
3.3 V LDO FOR GYRO



CC2541 Decoupling Capacitors Place close to Vdd pins:

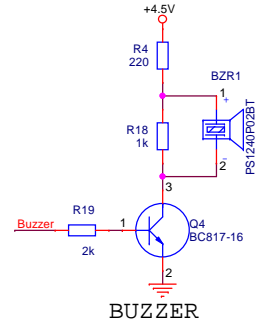


DEBUG HEADER

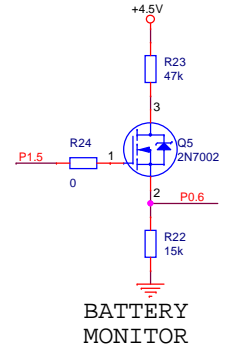


Place C22 close to D1

IR LED

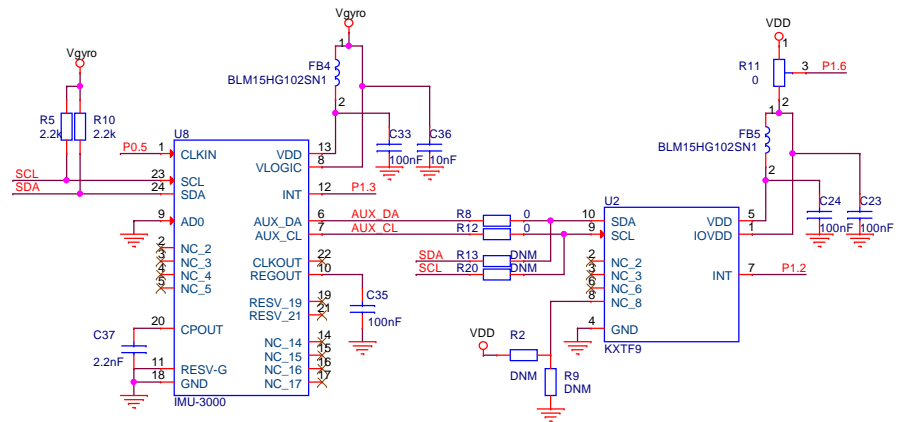
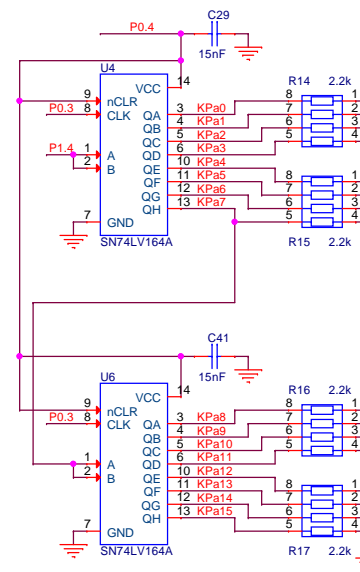


BUZZER

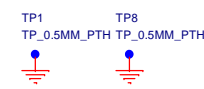


BATTERY MONITOR

KPa1 1 2	KPb2 2	KPa3 1 2	KPb0 2	KPa4 1 2	KPb0 2	KPa131 1 2	KPb0 2
KP1 POWER		KP11 NAV LEFT		KP21 REV		KP31 7	
KPa0 1 2	KPb1 2	KPa3 1 2	KPb1 2	KPa8 1 2	KPb1 2	KPa131 1 2	KPb1 2
KP2 FAV		KP12 OK		KP22 PLAY		KP32 8	
KPa1 1 2	KPb2 2	KPa3 1 2	KPb2 2	KPa4 1 2	KPb2 2	KPa131 1 2	KPb2 2
KP3 TV		KP13 NAV RIGHT		KP23 FFWD		KP33 9	
KPa2 1 2	KPb1 2	KPa2 1 2	KPb0 2	KPa8 1 2	KPb2 2	KPa101 1 2	KPb0 2
KP4 VOD		KP14 MENU		KP24 STOP		KP34 AV	
KPa7 1 2	KPb0 2	KPa2 1 2	KPb1 2	KPa9 1 2	KPb0 2	KPa101 1 2	KPb1 2
KP5 VOL UP		KP15 NAV DOWN		KP25 1		KP35 0	
KPa1 1 2	KPb1 2	KPa2 1 2	KPb2 2	KPa9 1 2	KPb1 2	KPa101 1 2	KPb2 2
KP6 MUTE		KP16 BACK		KP26 2		KP36 -/-	
KPa7 1 2	KPb2 2	KPa5 1 2	KPb0 2	KPa9 1 2	KPb2 2	KPa121 1 2	KPb0 2
KP7 CH UP		KP17 MOUSE LEFT		KP27 3		KP37 RED	
KPa6 1 2	KPb0 2	KPa5 1 2	KPb1 2	KPa141 1 2	KPb0 2	KPa121 1 2	KPb1 2
KP8 VOL DOWN		KP18 MOUSE MIDDLE		KP28 4		KP38 GREEN	
KPa6 1 2	KPb1 2	KPa5 1 2	KPb2 2	KPa141 1 2	KPb1 2	KPa111 1 2	KPb1 2
KP9 NAV UP		KP19 MOUSE RIGHT		KP29 5		KP39 YELLOW	
KPa8 1 2	KPb2 2	KPa8 1 2	KPb0 2	KPa141 1 2	KPb2 2	KPa111 1 2	KPb2 2
KP10 CH DOWN		KP20 RECORD		KP30 6		KP40 BLUE	



R2 and R9 should be connected as triport. For compatibility with other accelerometers.



Title:	CC2541ARC		
Drawn:	FGK		
Checked:	NN		
Size:	A3	Rev:	2.1.0
		Sheet:	1 of 1
Date:	Tuesday, December 04, 2012		