

FIDUCIAL\_MARK\_1mm FM1 FIDUCIAL\_MARK\_1mm FM2 FIDUCIAL\_MARK\_1mm FM3



**VOLTAGE REGULATOR**

Generated voltage:  
3.3 V for CC2540

**SoC peripherals**

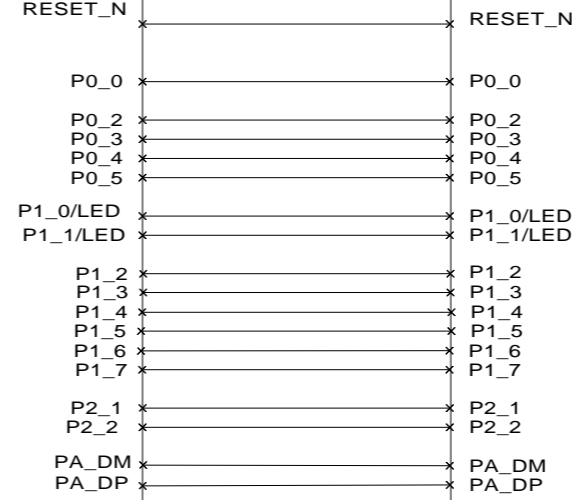
- USB Connector
- Buttons
- LEDs
- SMD sockets

RESET\_N  
P0\_0  
P0\_2  
P0\_3  
P0\_4  
P0\_5  
P1\_0/LED  
P1\_1/LED  
P1\_2  
P1\_3  
P1\_4  
P1\_5  
P1\_6  
P1\_7  
P2\_1  
P2\_2  
PA\_DM  
PA\_DP

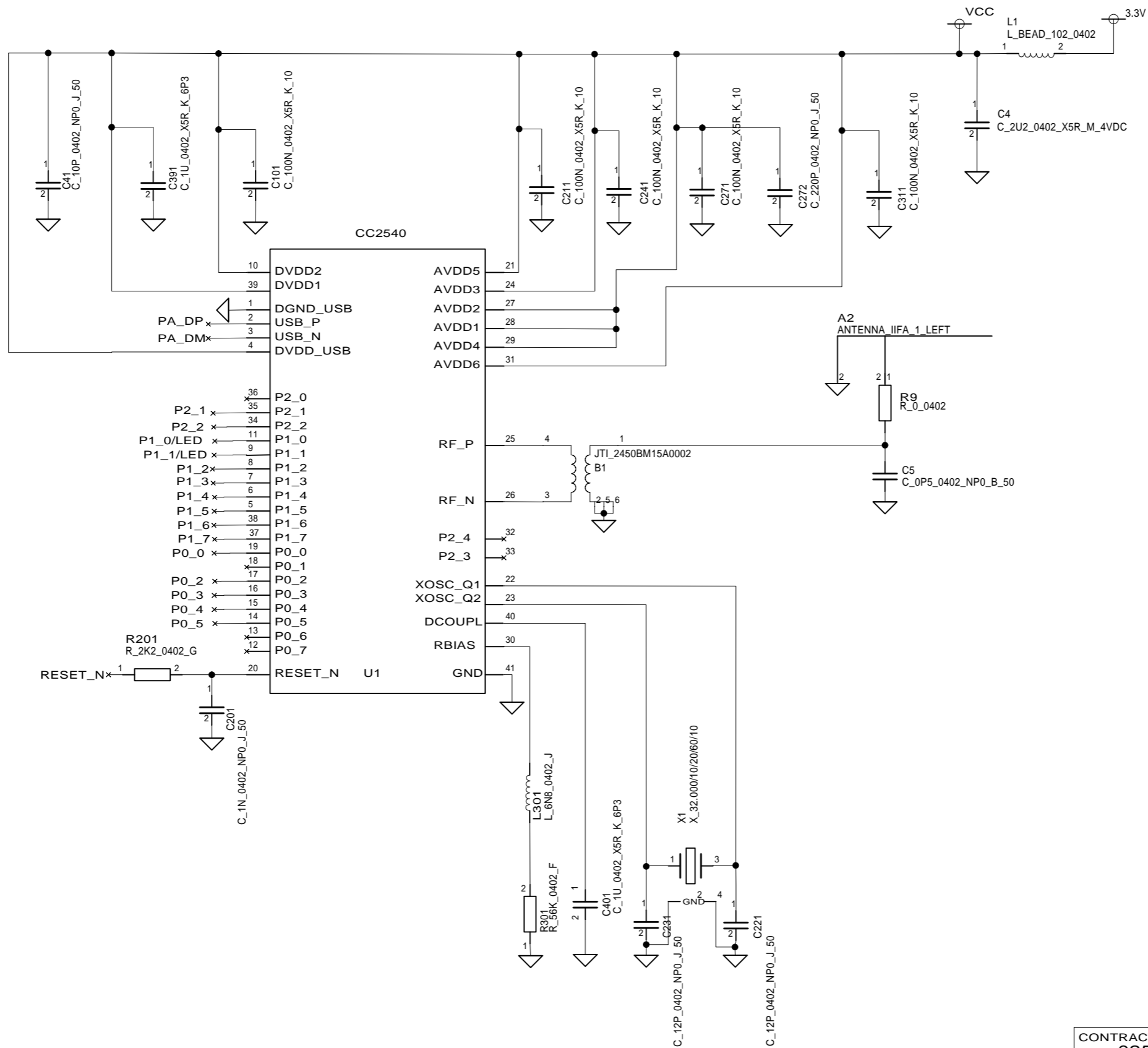
**RF-SoC PART**

Including PCB antenna

RESET\_N  
P0\_0  
P0\_2  
P0\_3  
P0\_4  
P0\_5  
P1\_0/LED  
P1\_1/LED  
P1\_2  
P1\_3  
P1\_4  
P1\_5  
P1\_6  
P1\_7  
P2\_1  
P2\_2  
PA\_DM  
PA\_DP

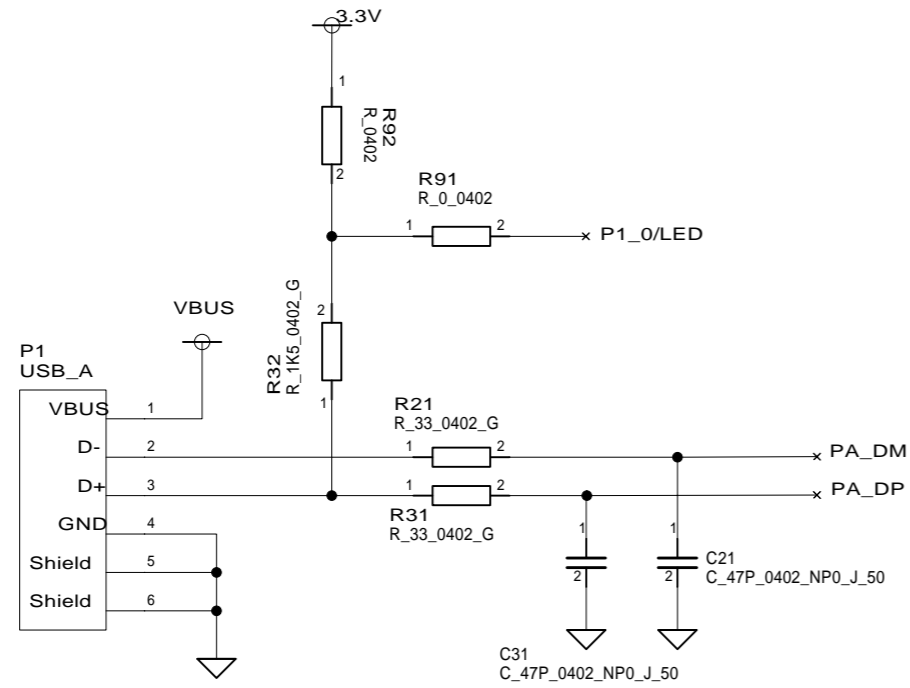


CONTRACT NO. <b>025104</b>		COMPANY NAME <b>Texas Instruments</b>			
APPROVALS	DATE	DWG <b>CC2540 USB dongle</b>			
DRAWN	<b>TIK</b>	SIZE	FSCM NO.	DWG NO.	REV.
CHECKED	<b>AAC</b>	<b>A4</b>			<b>1.0</b>
ISSUED		SCALE		SHEET <b>1(4)</b>	

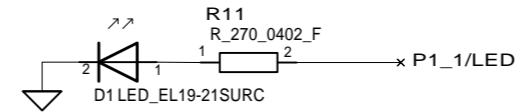


CONTRACT NO. <b>025104</b>		COMPANY NAME <b>Texas Instruments</b>			
APPROVALS	DATE	DWG CC2540 USB DONGLE RF-PART			
DRAWN	TIK	SIZE	FSCM NO.	DWG NO.	REV.
CHECKED	AAC	A4			1.0
ISSUED		SCALE			SHEET <b>3(4)</b>

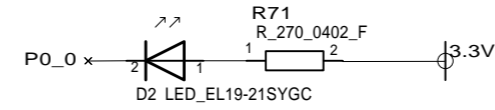
USB Interface



LED\_Red



LED\_Green



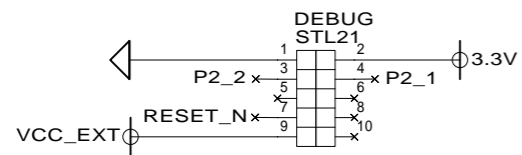
button\_P\_1\_2



button\_P\_1\_3



SoC debug/flash

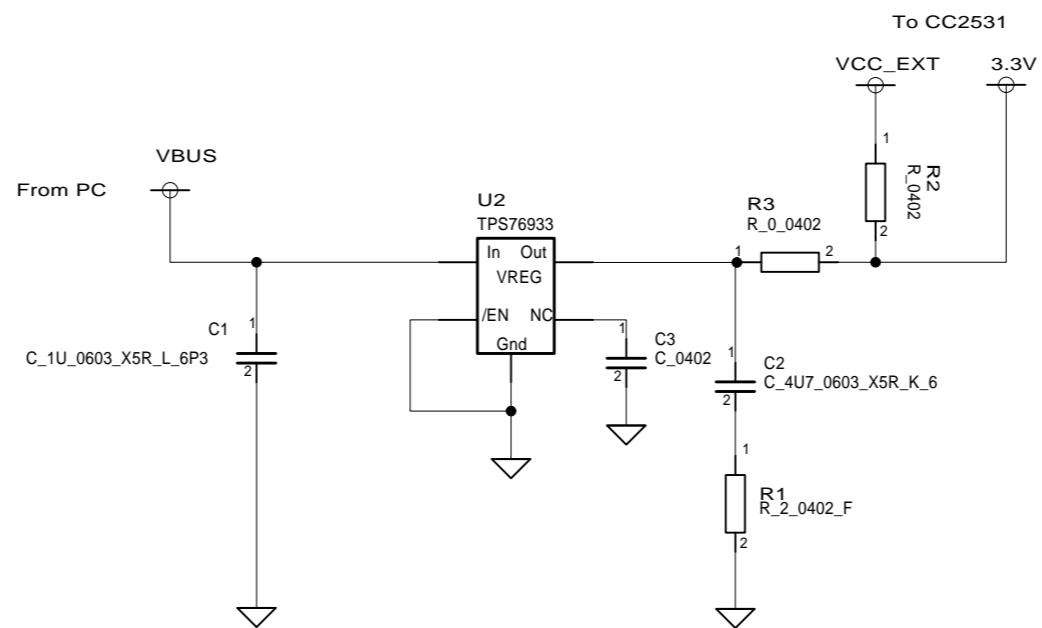


Additional testpins

- IO  
BL\_31\_008U\_NO\_SILK
- >8 x P1\_4
  - >7 x P1\_5
  - >6 x P1\_6
  - >5 x P1\_7
  - >4 x P0\_5
  - >3 x P0\_4
  - >2 x P0\_3
  - >1 x P0\_2

Not mount: R92, IO

CONTRACT NO. 025104		COMPANY NAME Texas Instruments			
APPROVALS	DATE	DWG CC2540 USB dongle USB circuitry			
DRAWN	TIK	SIZE	FSCM NO.	DWG NO.	REV. 1.0
CHECKED	AAC	A4			
ISSUED		SCALE		SHEET	4(4)



Not mount: C3, R2

CONTRACT NO. <b>025104</b>		COMPANY NAME <b>Texas Instruments</b>			
APPROVALS	DATE	DWG CC2540 USB DONGLE VOLTAGE REGULATOR			
DRAWN	<b>TIK</b>	SIZE	FSCM NO.	DWG NO.	REV.
CHECKED	<b>AAC</b>	<b>A4</b>			<b>1.0</b>
ISSUED		SCALE			SHEET <b>2(4)</b>