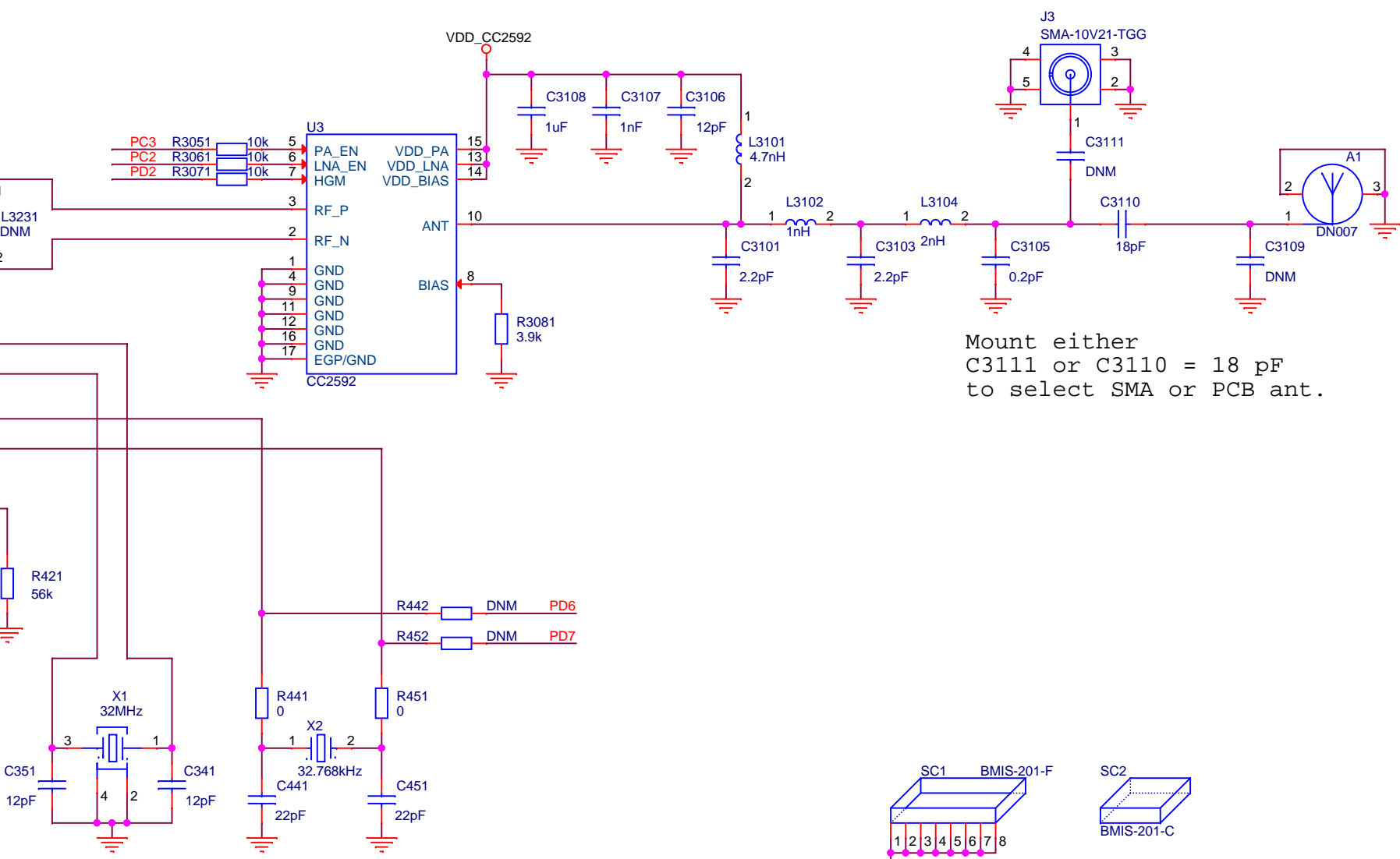
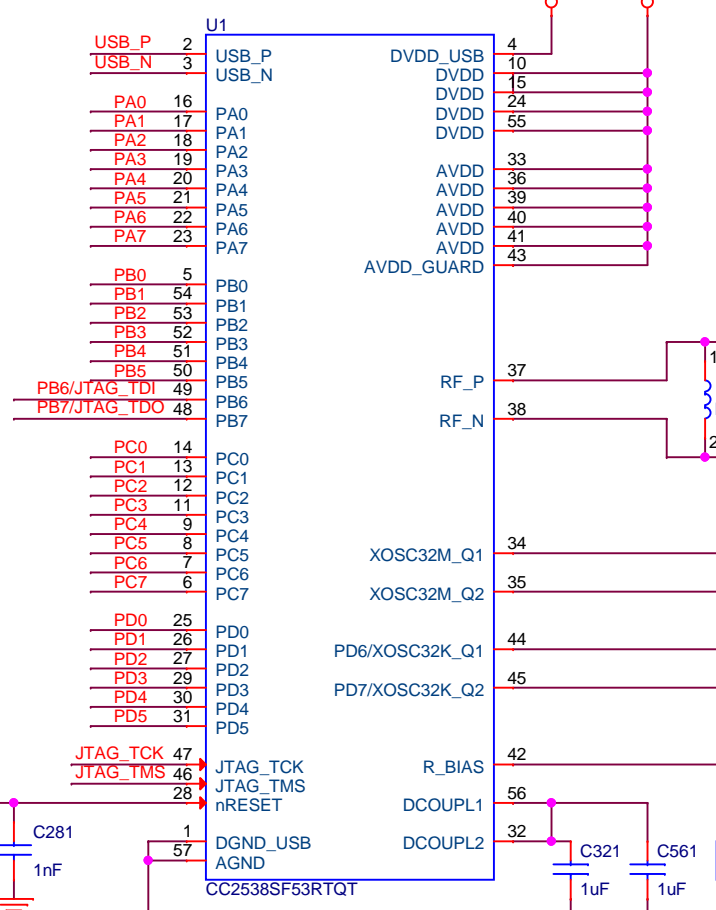
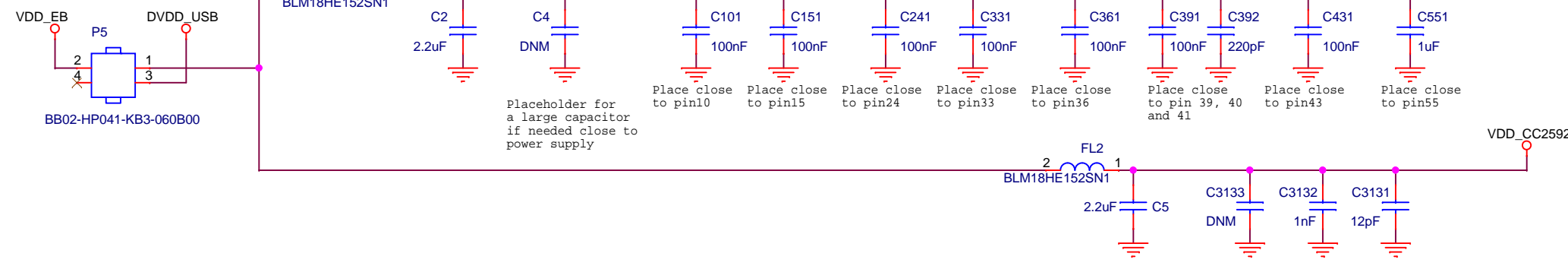
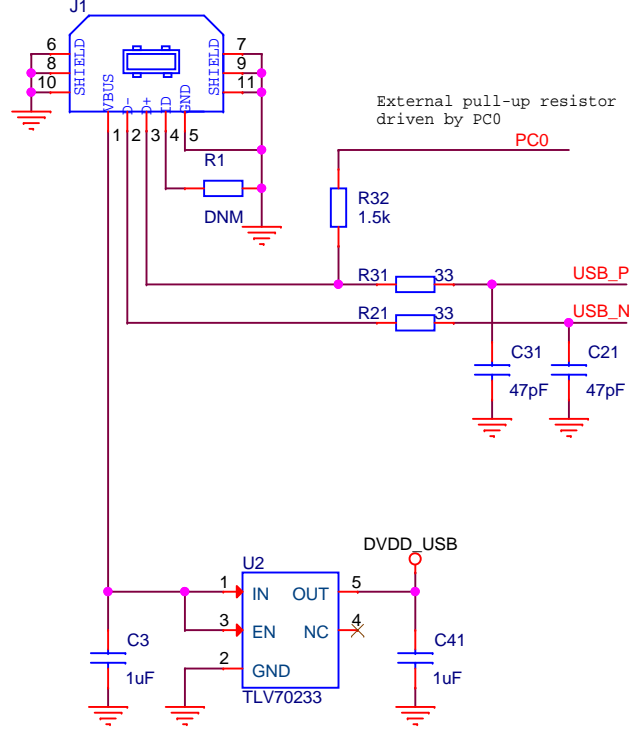
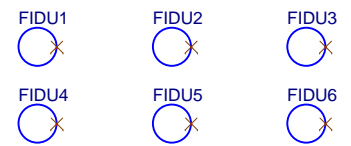
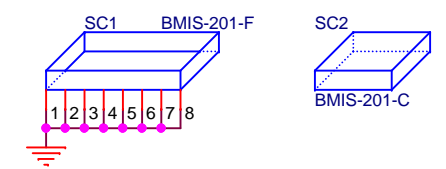
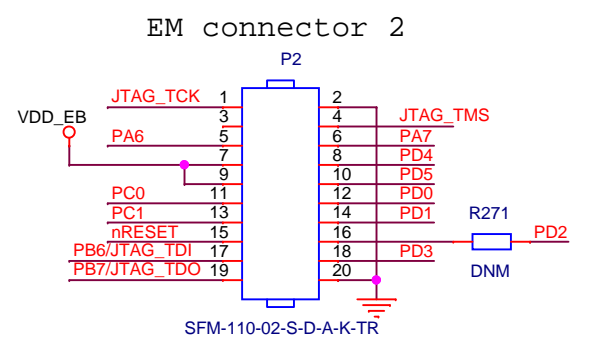
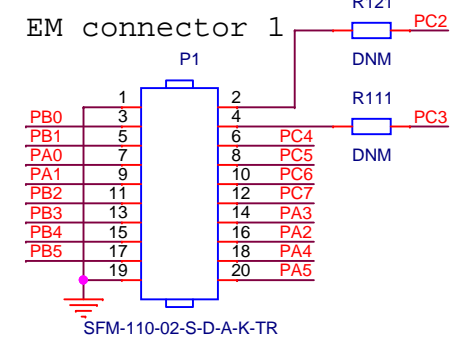
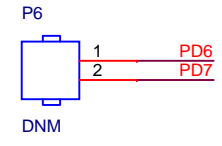


USB interface



Mount either C3111 or C3110 = 18 pF to select SMA or PCB ant.

Pinrow for GPIOs not available from EM connector 1 and 2. Not mounted



Title:	CC2538-CC2592EM		
Drawn:	Fredrik Kervel		
Checked:			
Size:	A3	Rev:	2.0.1
		Sheet:	1 of 1
Date:	Thursday, January 09, 2014		