

FIDUCIAL_MARK_1mm FM1 FIDUCIAL_MARK_1mm FM2 FIDUCIAL_MARK_1mm FM3



VOLTAGE REGULATOR

Generated voltage:
3.3 V for CC2531

SoC peripherals

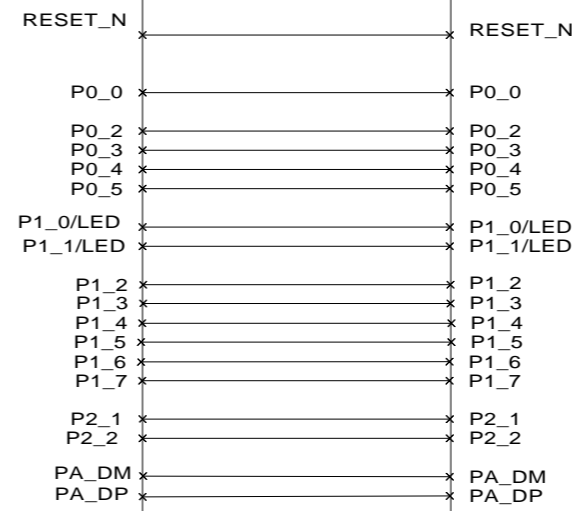
- USB Connector
- Buttons
- LEDs
- SMD sockets

RESET_N
P0_0
P0_2
P0_3
P0_4
P0_5
P1_0/LED
P1_1/LED
P1_2
P1_3
P1_4
P1_5
P1_6
P1_7
P2_1
P2_2
PA_DM
PA_DP

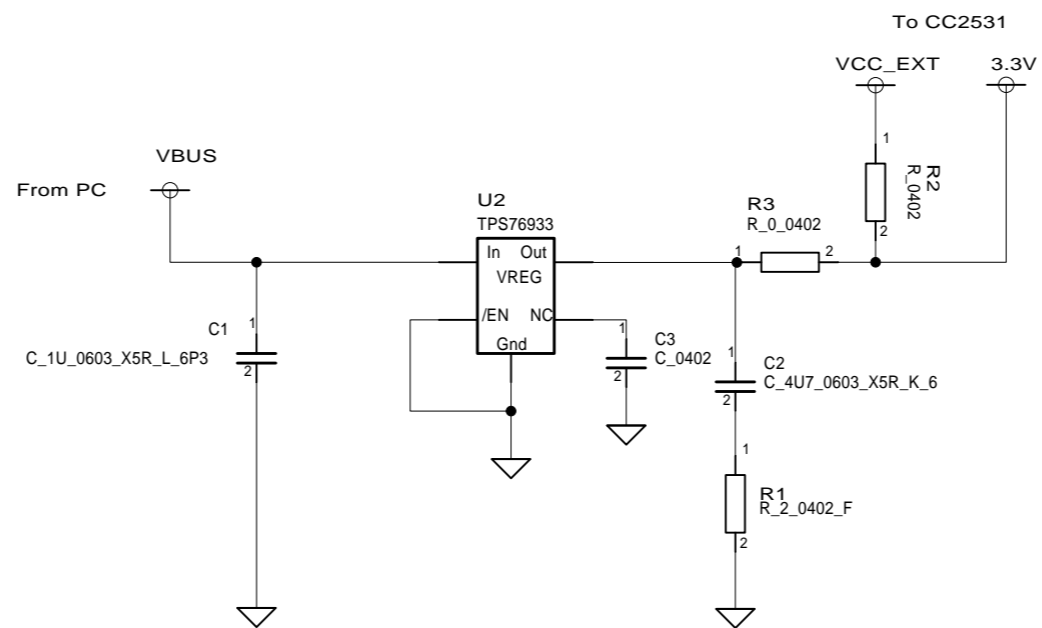
RF-SoC PART

Including PCB antenna

RESET_N
P0_0
P0_2
P0_3
P0_4
P0_5
P1_0/LED
P1_1/LED
P1_2
P1_3
P1_4
P1_5
P1_6
P1_7
P2_1
P2_2
PA_DM
PA_DP

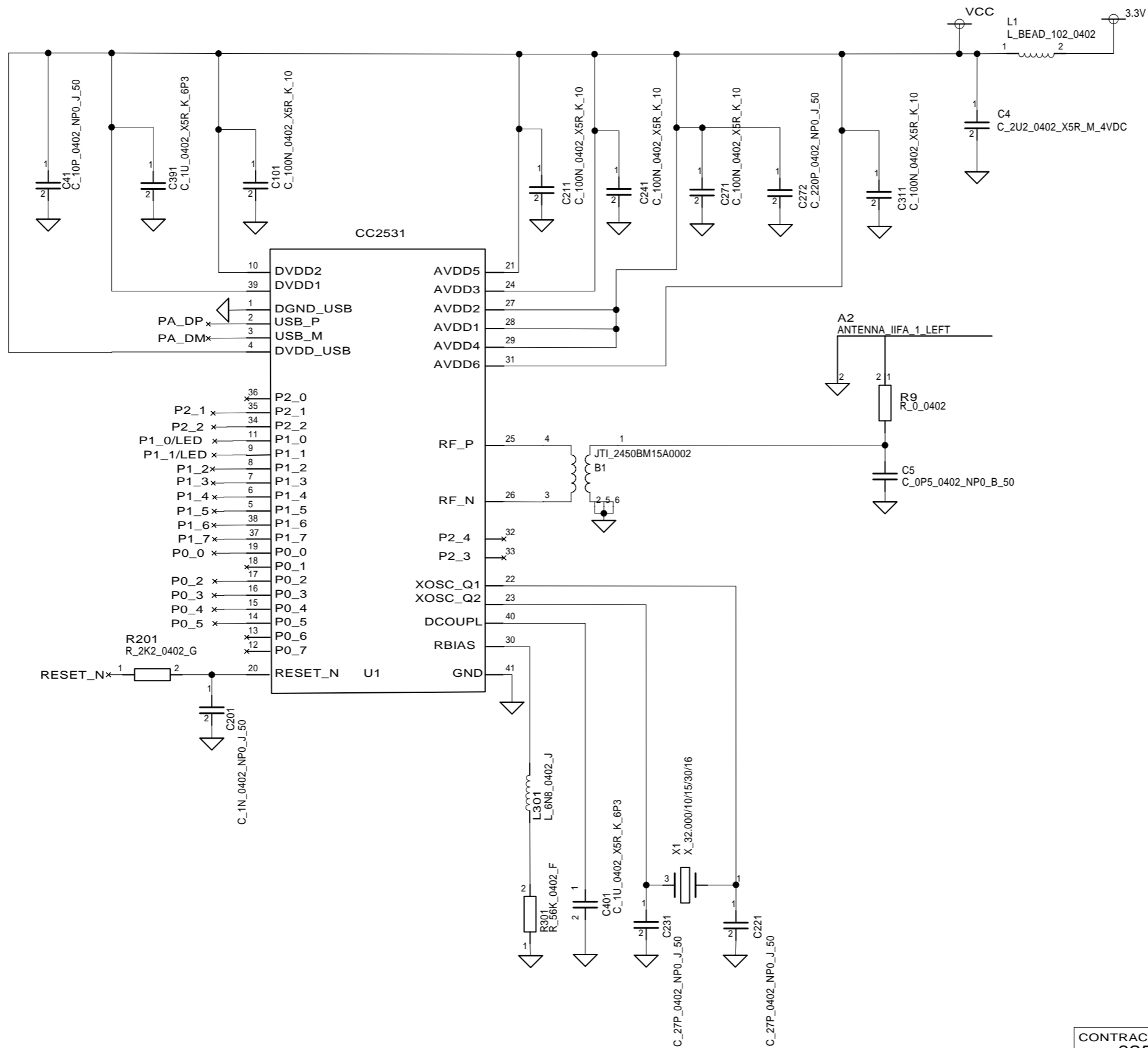


CONTRACT NO. 025104		COMPANY NAME Texas Instruments			
APPROVALS	DATE	DWG CC2531 USB dongle			
DRAWN	TIK	SIZE	FSCM NO.	DWG NO.	REV.
CHECKED	MAP	A4			2.4
ISSUED		SCALE		SHEET 1(4)	



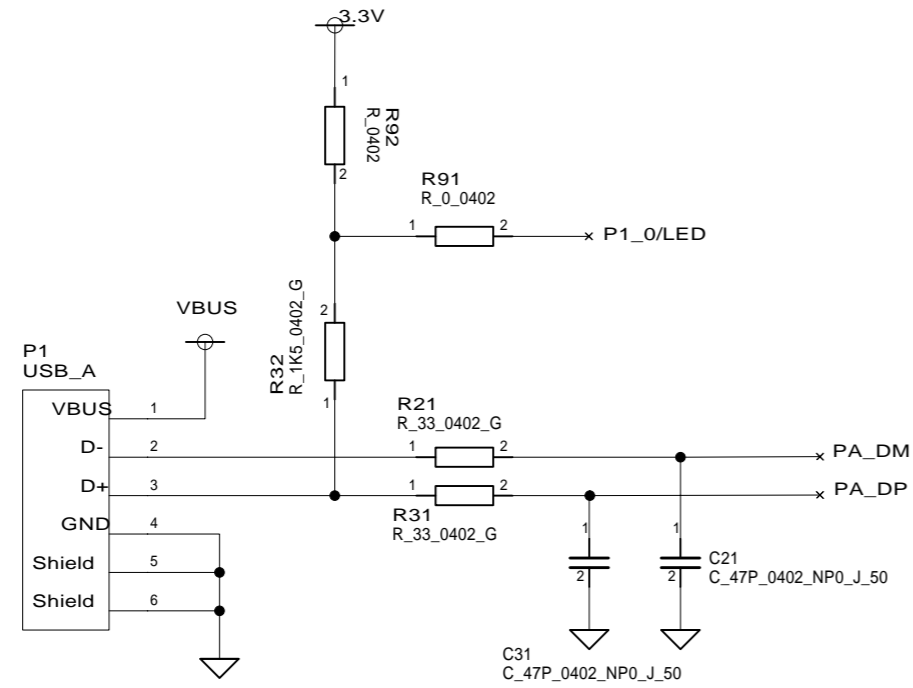
Not mount: C3, R2

CONTRACT NO. 025104		COMPANY NAME Texas Instruments			
APPROVALS	DATE	DWG CC2531 USB DONGLE VOLTAGE REGULATOR			
DRAWN	TIK	SIZE	FSCM NO.	DWG NO.	REV.
CHECKED	MAP	A4			2.4
ISSUED		SCALE		SHEET 2(4)	

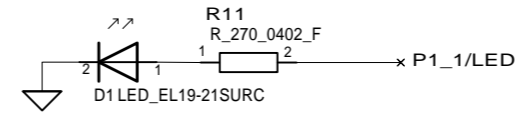


CONTRACT NO. 025104		COMPANY NAME Texas Instruments			
APPROVALS	DATE	DWG CC2531 USB DONGLE RF-PART			
DRAWN	TIK	SIZE	FSCM NO.	DWG NO.	REV.
CHECKED	MAP	A4			2.4
ISSUED		SCALE			SHEET 3(4)

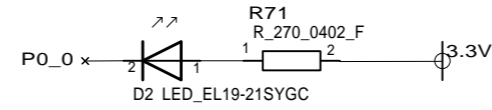
USB Interface



LED_Red



LED_Green



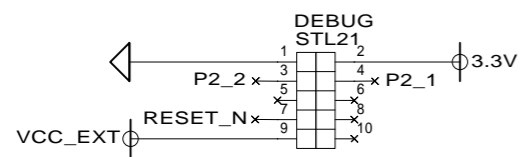
button_P_1_2



button_P_1_3



SoC debug/flash



Additional testpins

- IO
BL_31_008U_NO_SILK
- >8 — x P1_4
 - >7 — x P1_5
 - >6 — x P1_6
 - >5 — x P1_7
 - >4 — x P0_5
 - >3 — x P0_4
 - >2 — x P0_3
 - >1 — x P0_2

Not mount: R92, IO

CONTRACT NO. 025104		COMPANY NAME Texas Instruments			
APPROVALS	DATE	DWG CC2531 USB dongle USB circuitry			
DRAWN	TIK	SIZE	FSCM NO.	DWG NO.	REV.
CHECKED	MAP	A4			2.4
ISSUED		SCALE		SHEET	4(4)