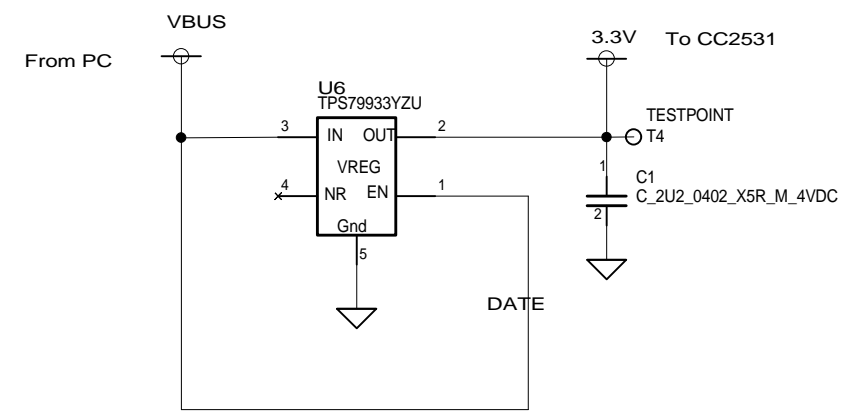
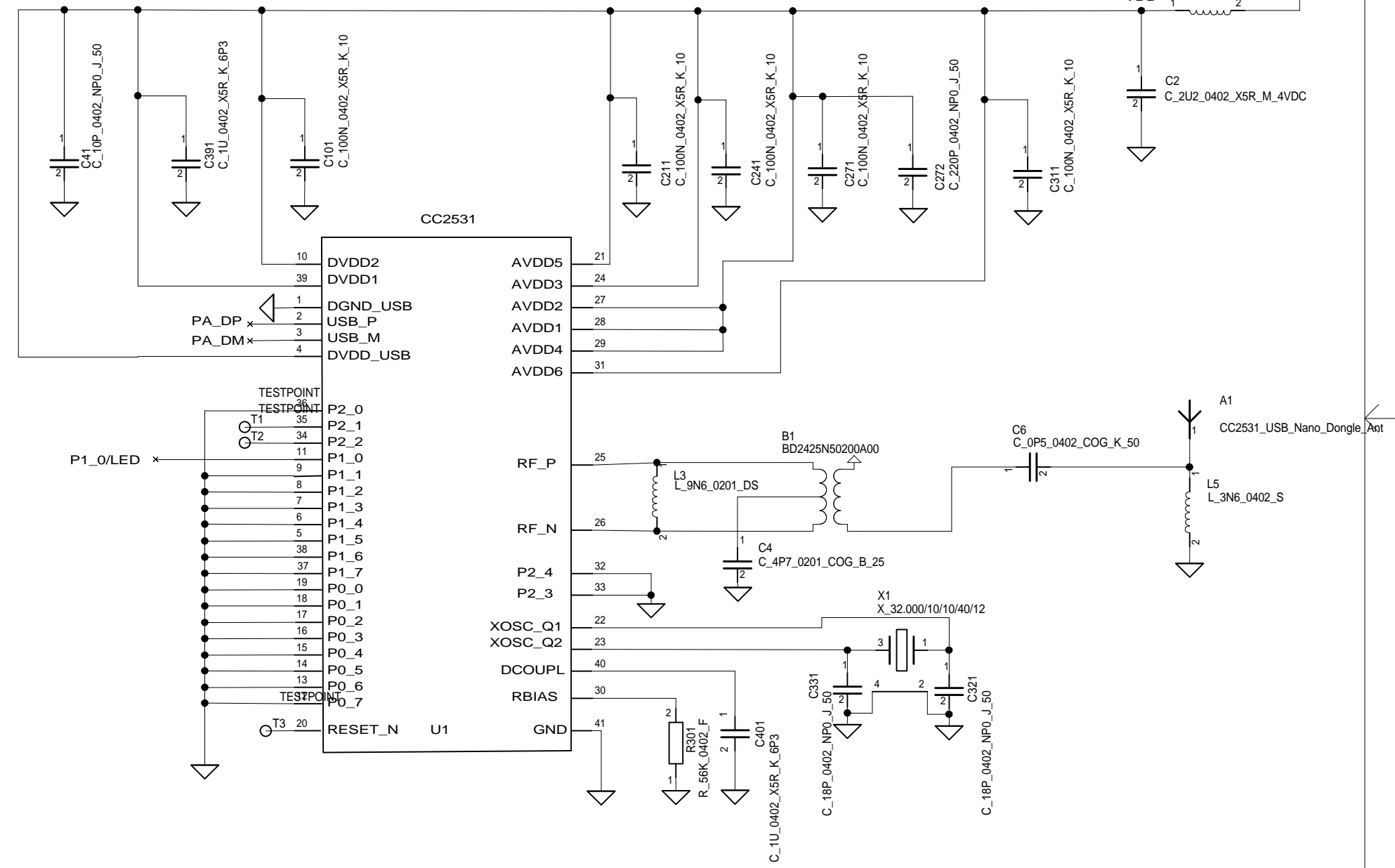


FIDUCIAL_MARK_1mm FM1 FIDUCIAL_MARK_1mm FM2 FIDUCIAL_MARK_1mm FM3

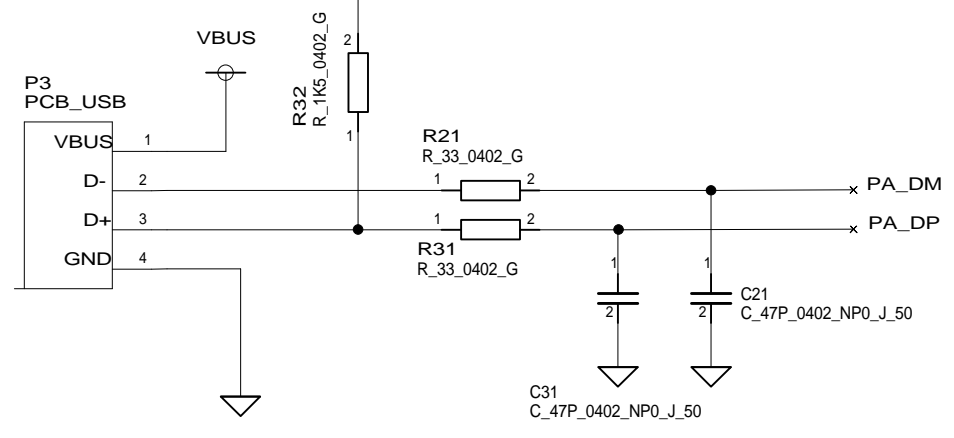
Voltage Regulator



RF SoC



USB Interface



CONTRACT NO. 025104		COMPANY NAME Texas Instruments			
APPROVALS		DWG Nano			
DRAWN	TIK	SIZE	FSCM NO.	DWG NO.	REV.
CHECKED	NN	A4			1.0