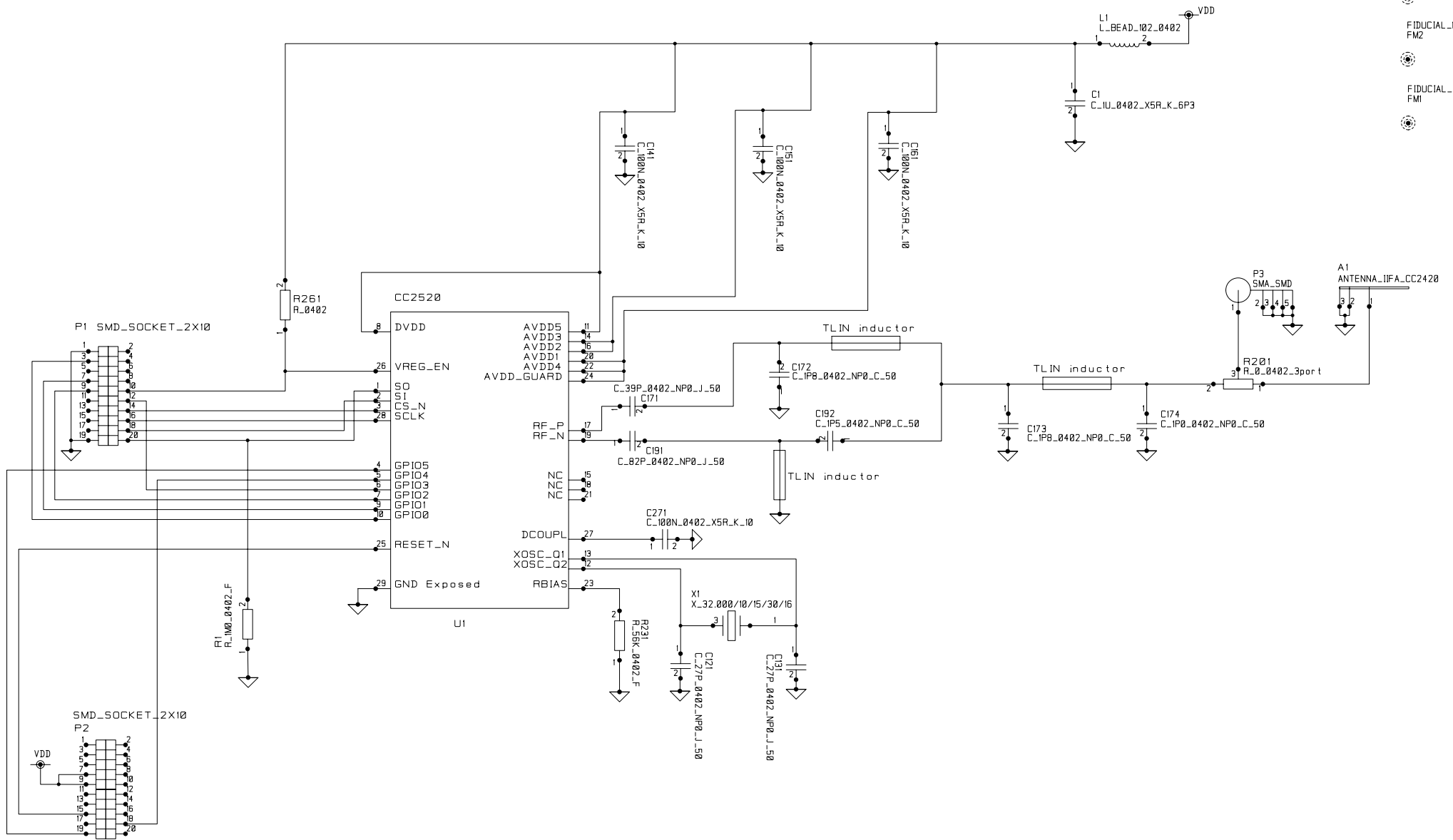


FIDUCIAL\_MARK  
FM3

FIDUCIAL\_MARK  
FM2

FIDUCIAL\_MARK  
FM1



CONTRACT NO. 02589		COMPANY NAME Texas Instruments			
APPROVALS	DATE	DWG CC2520EM			
DRAWN	AGN	SIZE	FSCM NO.	DWG NO.	REV. 2.1
CHECKED	NN	A4			
ISSUED		SCALE			SHEET 1 (1)