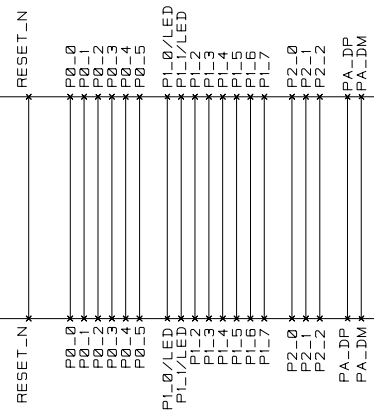


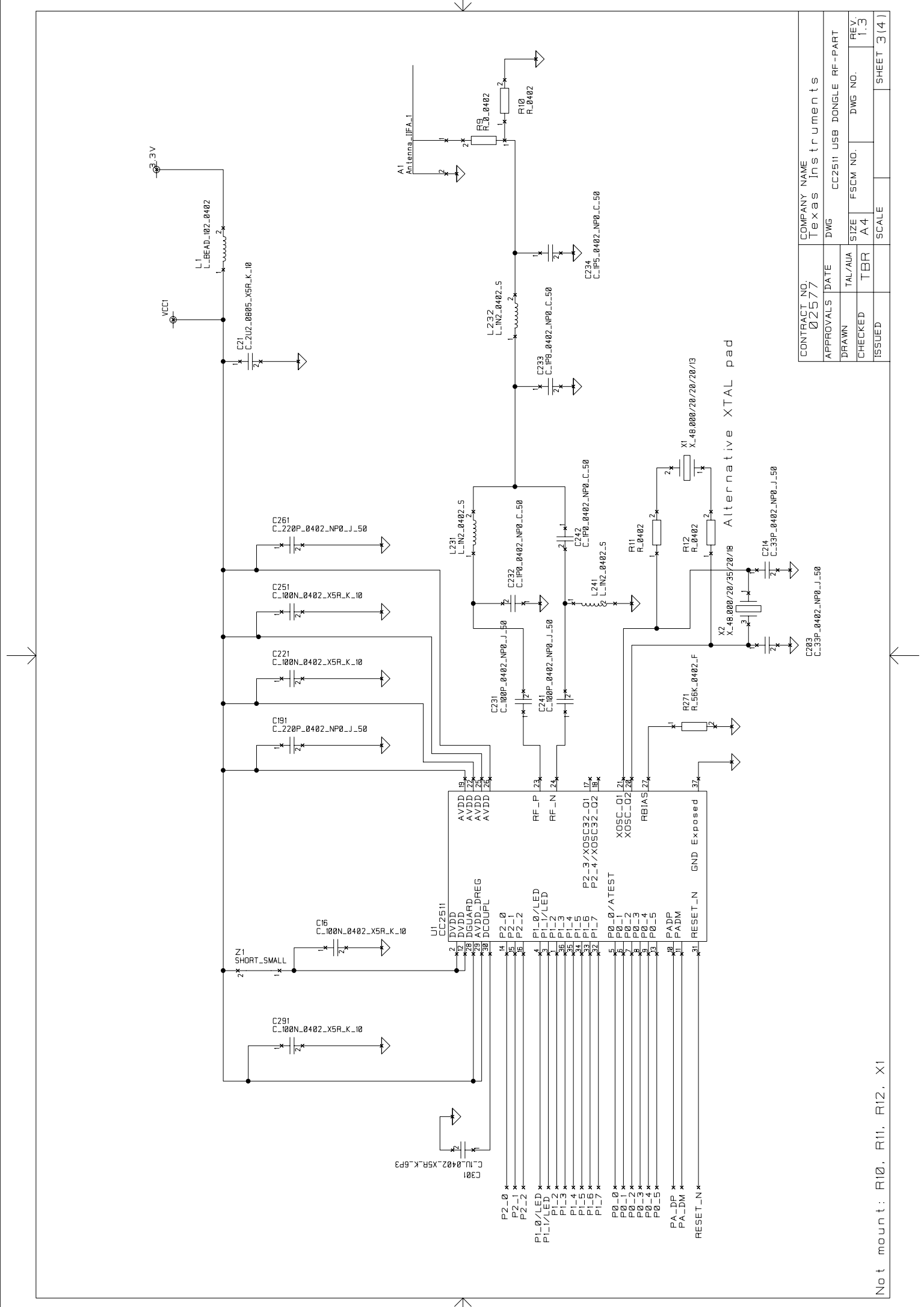
VOLTAGE REGULATOR
 Generated voltage:
 3.3 V for CC2511

SoC peripherals
 - USB Connector
 - Buttons
 - LEDs
 - SMD sockets

RF-SoC PART
 Including PCB antenna

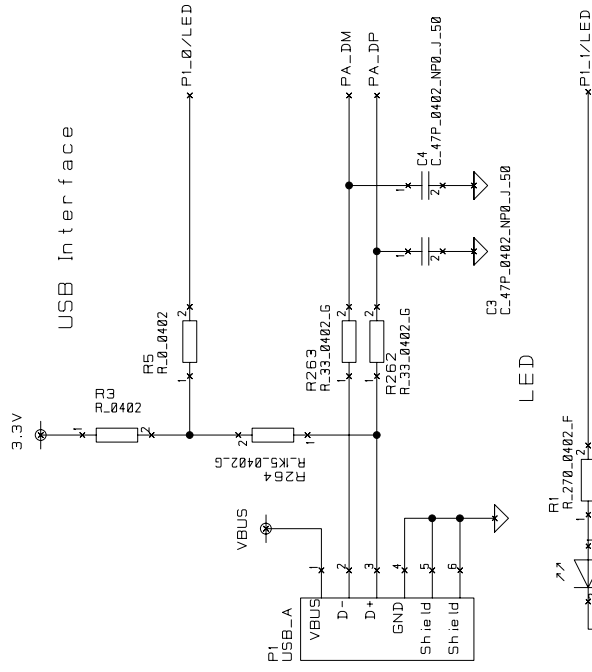


CONTRACT NO. 02577		COMPANY NAME Texas Instruments	
APPROVALS DATE		DWG CC2511 dongle	
DRAWN TBR	TAL/AUA	SIZE A4	DWG NO. FSCM NO.
CHECKED	TBR	SCALE	REV 1.3
ISSUED			SHEET 1(4)

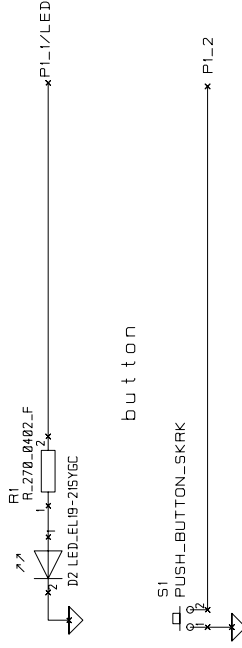


Not mount: R10, R11, R12, X1

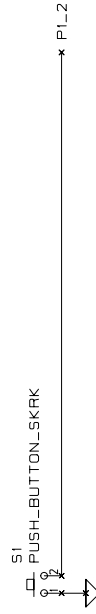
USB Interface



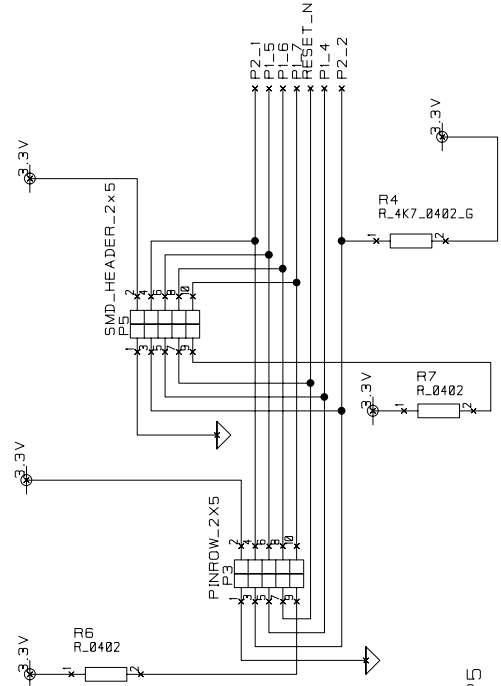
LED



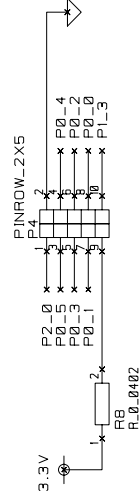
button



SoC debug/flash

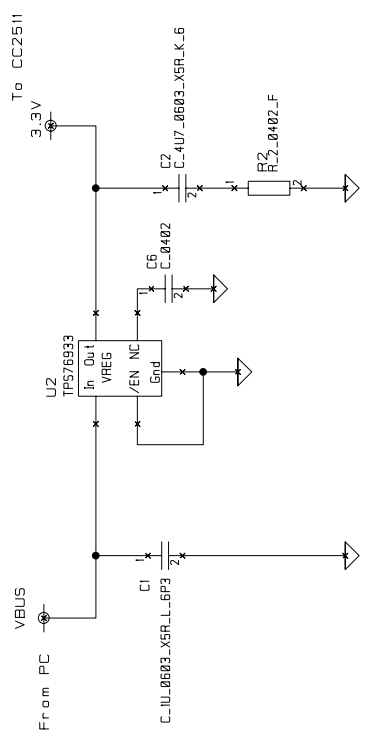


Additional testpins



Not mount: R3, R6, R7, P5

CONTRACT NO. 02577		COMPANY NAME Texas Instruments	
APPROVALS DATE	DWS	CC2511 USB dongle USB circuitry	
DRAWN TAL/AUA	SIZE A4	FSCM NO.	DWG NO.
CHECKED TBR	SCALE	REV 1.3	REV 1.3
ISSUED		SHEET 4(4)	



Not mount: C6

CONTRACT NO. 02577		COMPANY NAME Texas Instruments	
APPROVALS DATE		DWS	
DRAWN TAL/AUA	CC2511 USB DONGLE VOLTAGE REGULATOR	SIZE A4	DWG NO.
CHECKED TBR		FSCM NO.	REV 1.3
ISSUED		SCALE	SHEET 2(4)