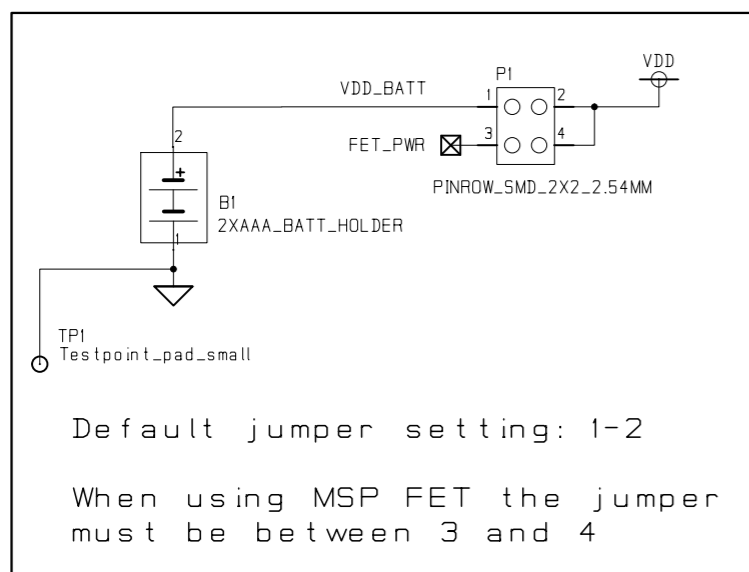
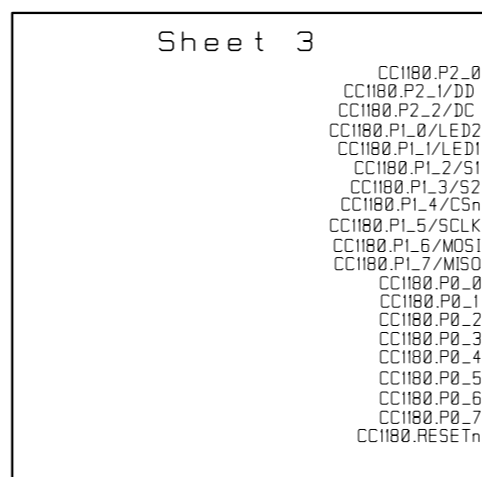




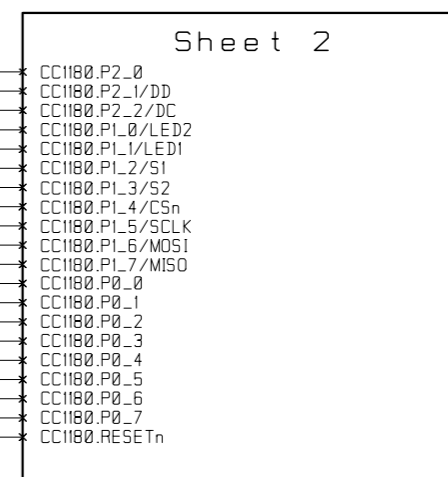
### POWER SUPPLY



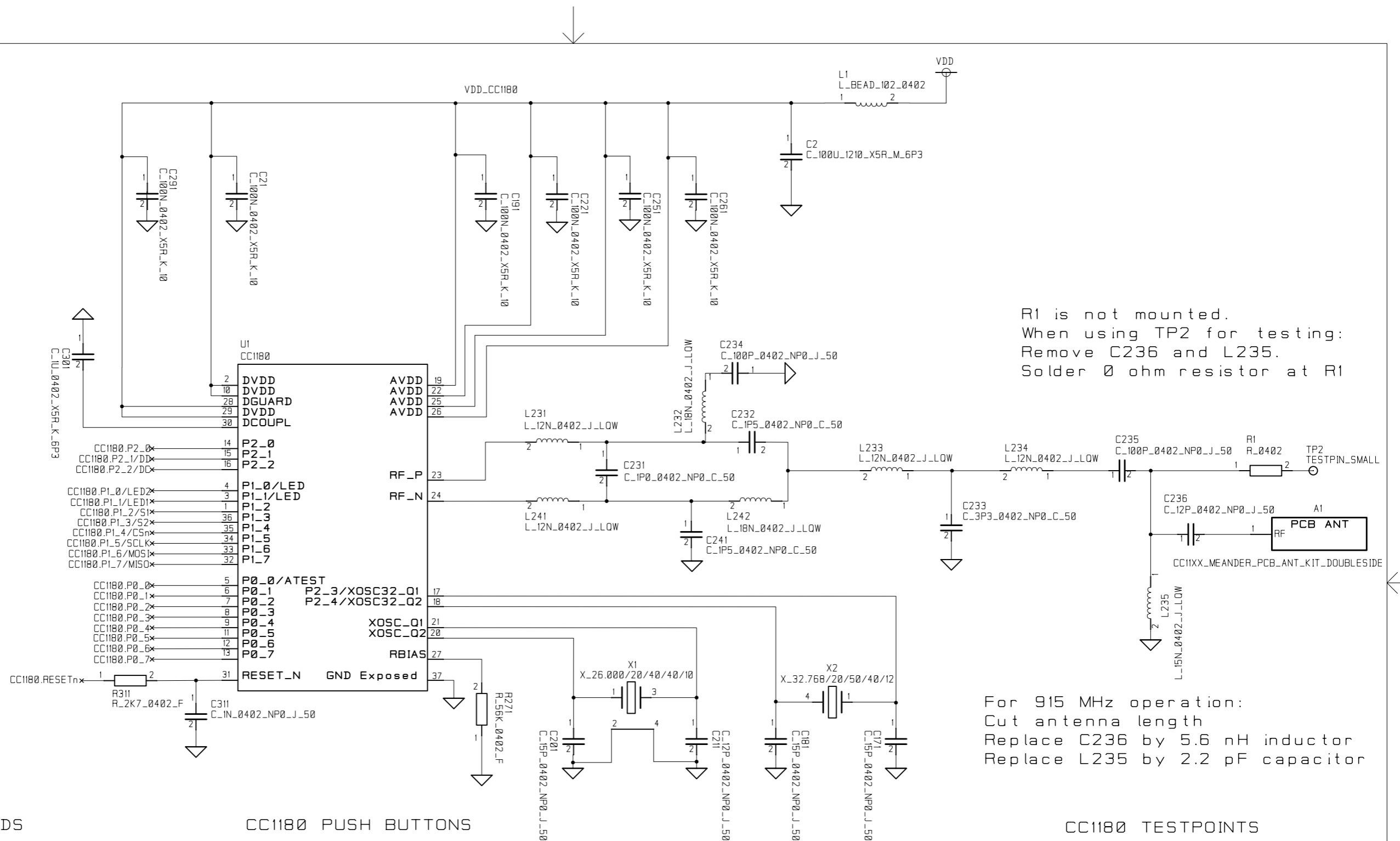
### MSP430F5438A



### CC1180



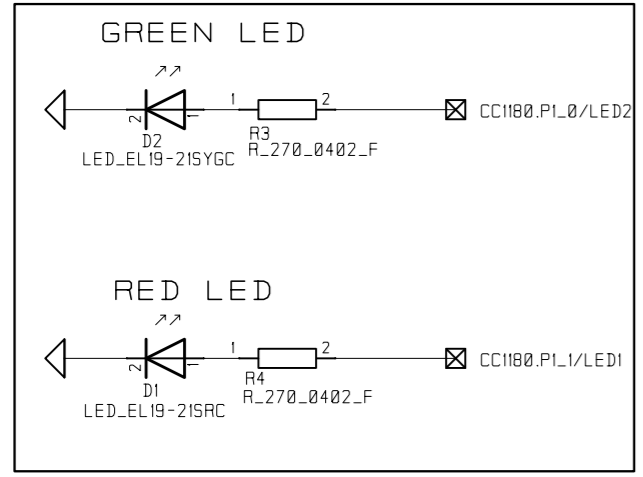
025120		COMPANY NAME Texas Instruments Norway			
APPROVALS	DATE	DWG CC1180DB			
DRAWN	SHE	SIZE A3	FSCM NO.	DWG NO.	REV. 1.1.0
CHECKED		SCALE		SHEET	1(3)
ISSUED					



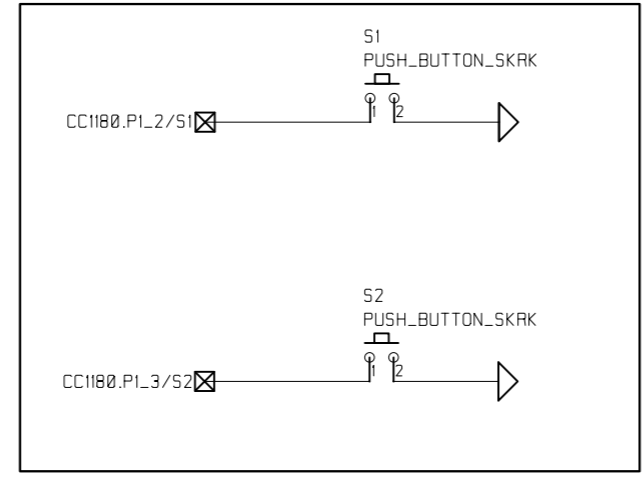
R1 is not mounted.  
 When using TP2 for testing:  
 Remove C236 and L235.  
 Solder 0 ohm resistor at R1

For 915 MHz operation:  
 Cut antenna length  
 Replace C236 by 5.6 nH inductor  
 Replace L235 by 2.2 pF capacitor

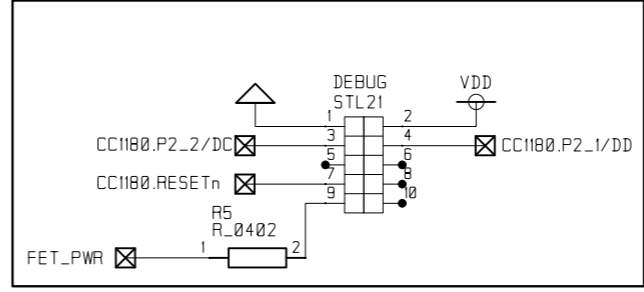
CC1180 LEDES



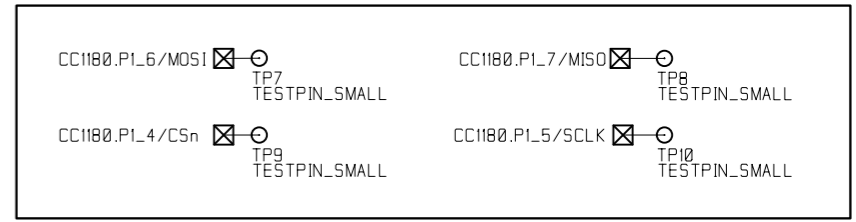
CC1180 PUSH BUTTONS



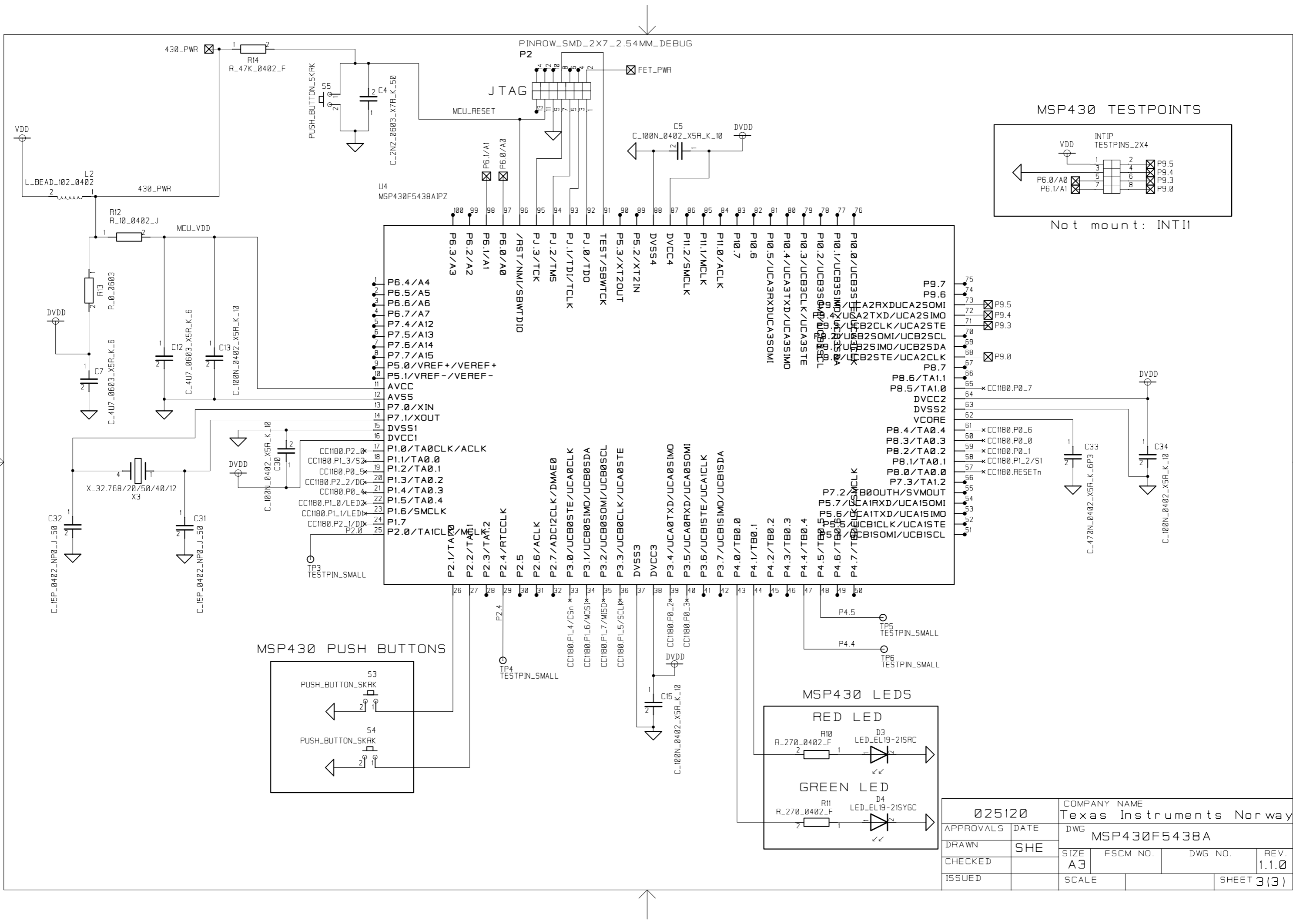
CC1180 DEBUG INTERFACE



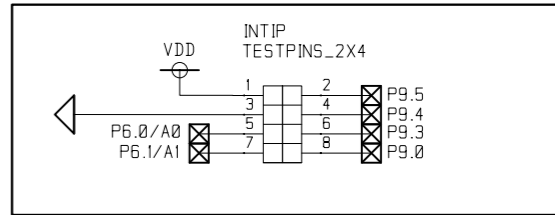
CC1180 TESTPOINTS



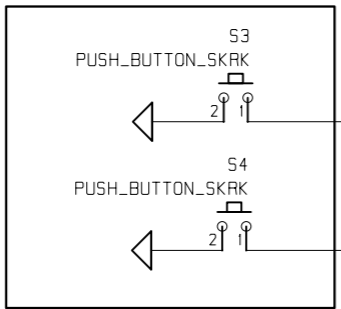
025120		COMPANY NAME Texas Instruments Norway			
APPROVALS	DATE	DWG CC1180			
DRAWN	SHE	SIZE A3	FSCM NO.	DWG NO.	REV. 1.1.0
CHECKED		SCALE		SHEET 2(3)	
ISSUED					



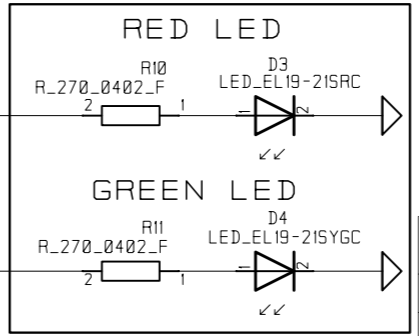
MSP430 TESTPOINTS



MSP430 PUSH BUTTONS



MSP430 LEDS



025120		COMPANY NAME Texas Instruments Norway			
APPROVALS	DATE	DWG MSP430F5438A			
DRAWN	SHE	SIZE A3	FSCM NO.	DWG NO.	REV. 1.1.0
CHECKED		SCALE		SHEET 3(3)	
ISSUED					