

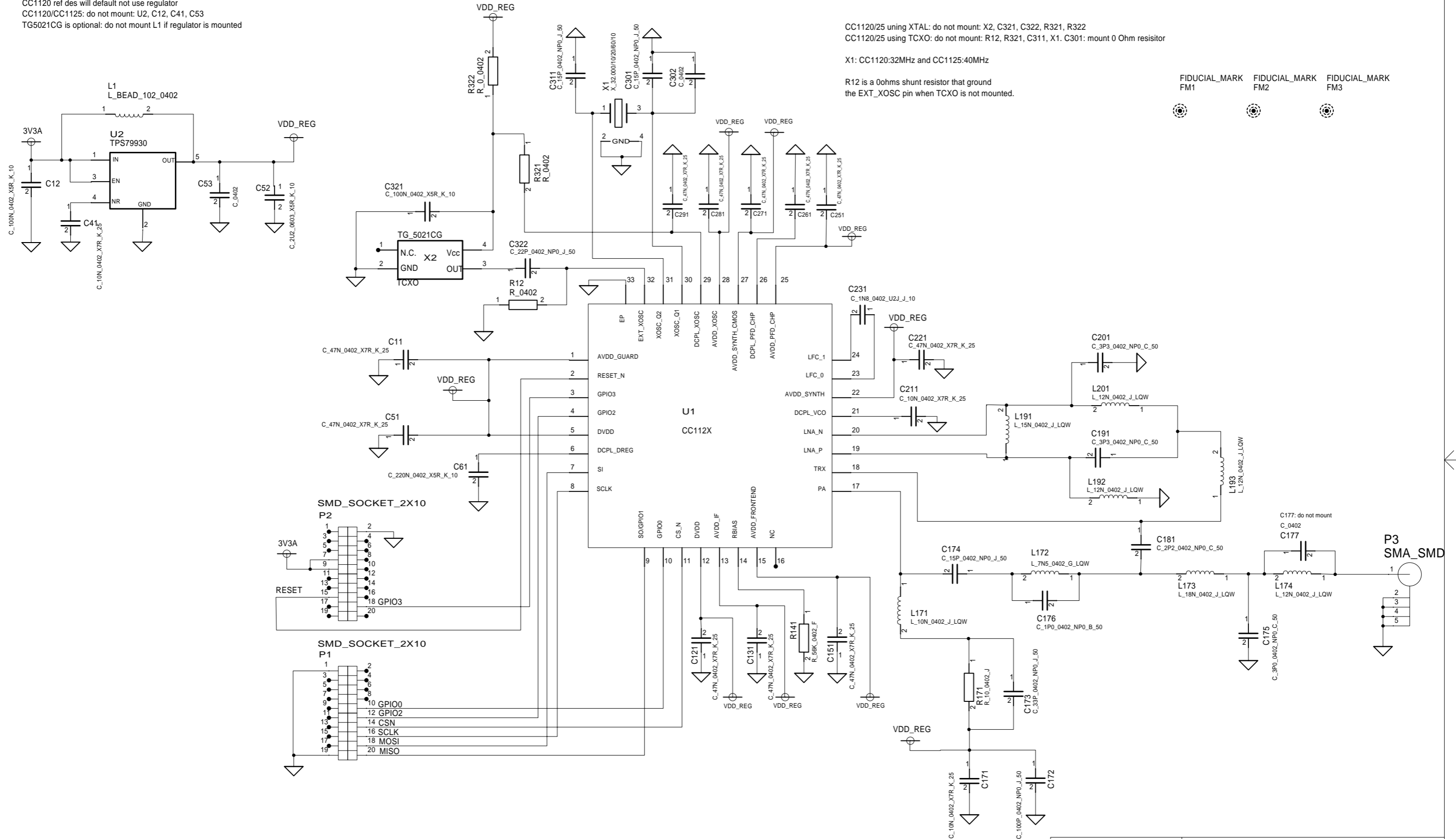
L1 is a Bead to be mounted if the regulator U2 is not mounted,  
 CC1120 ref des will default not use regulator  
 CC1120/CC1125: do not mount: U2, C12, C41, C53  
 TG5021CG is optional: do not mount L1 if regulator is mounted

CC1120/25 using XTAL: do not mount: X2, C321, C322, R321, R322  
 CC1120/25 using TCXO: do not mount: R12, R321, C311, X1. C301: mount 0 Ohm resistor

X1: CC1120:32MHz and CC1125:40MHz

R12 is a 0ohms shunt resistor that ground  
 the EXT\_XOSC pin when TCXO is not mounted.

FIDUCIAL\_MARK FM1 FIDUCIAL\_MARK FM2 FIDUCIAL\_MARK FM3



### 868/915 MHz frequency band

CONTRACT NO.		COMPANY NAME			
03236		Texas Instruments			
APPROVALS	DATE	DWG			
DRAWN	FRS	SIZE	FSCM NO.	DWG NO.	REV.
CHECKED		A3			1.1.0
ISSUED		SCALE		SHEET 1 of 1	