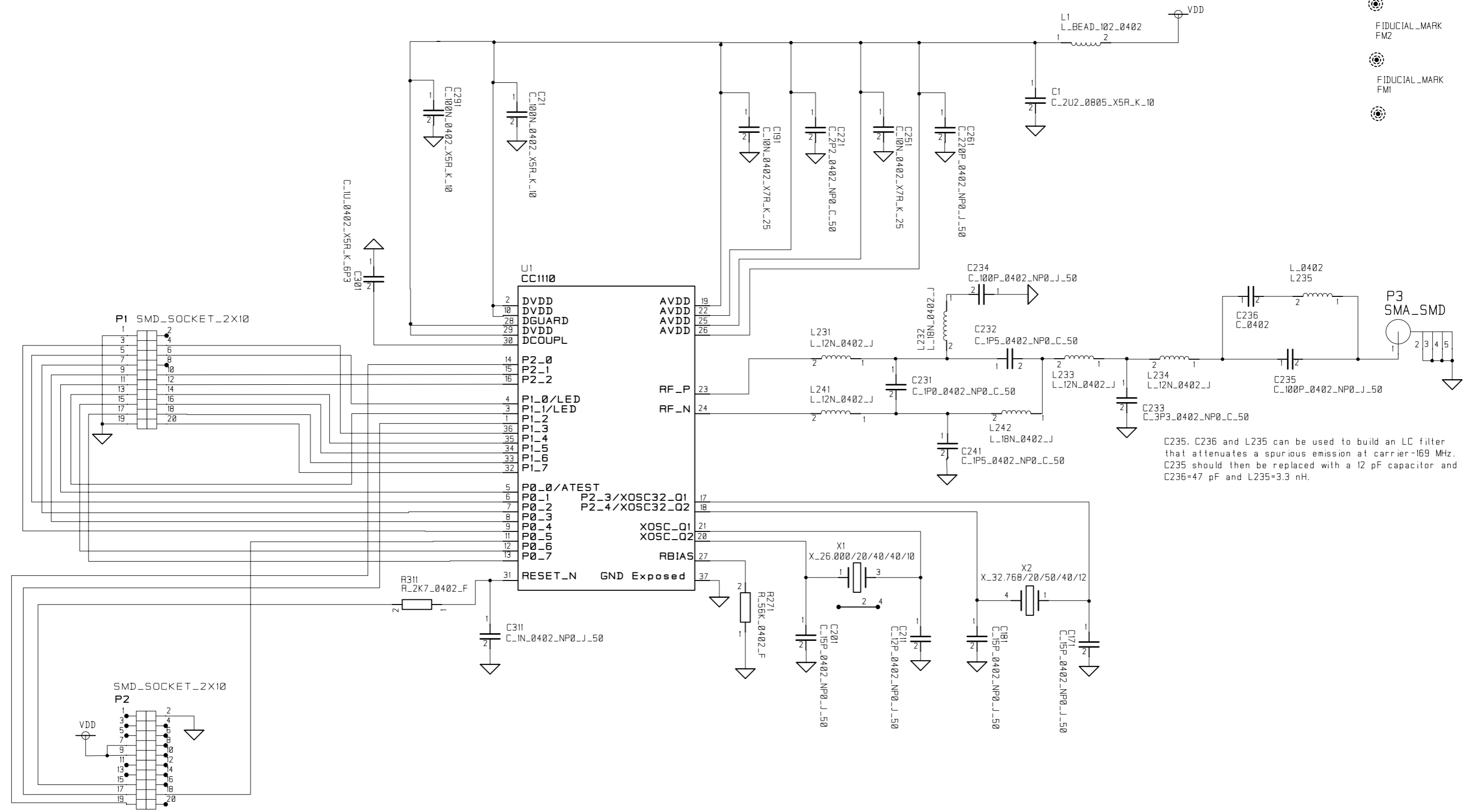


FIDUCIAL_MARK FM3
 FIDUCIAL_MARK FM2
 FIDUCIAL_MARK FM1



C235, C236 and L235 can be used to build an LC filter that attenuates a spurious emission at carrier-169 MHz. C235 should then be replaced with a 12 pF capacitor and C236=47 pF and L235=3.3 nH.

CONTRACT NO. 02570		COMPANY NAME Texas Instruments Norway			
APPROVALS	DATE	DWG CC1110EM 868/915 MHz			
DRAWN	SHE	SIZE A3	FSCM NO.	DWG NO.	REV. 4.0.0
CHECKED		SCALE		SHEET 1 (1)	
ISSUED					