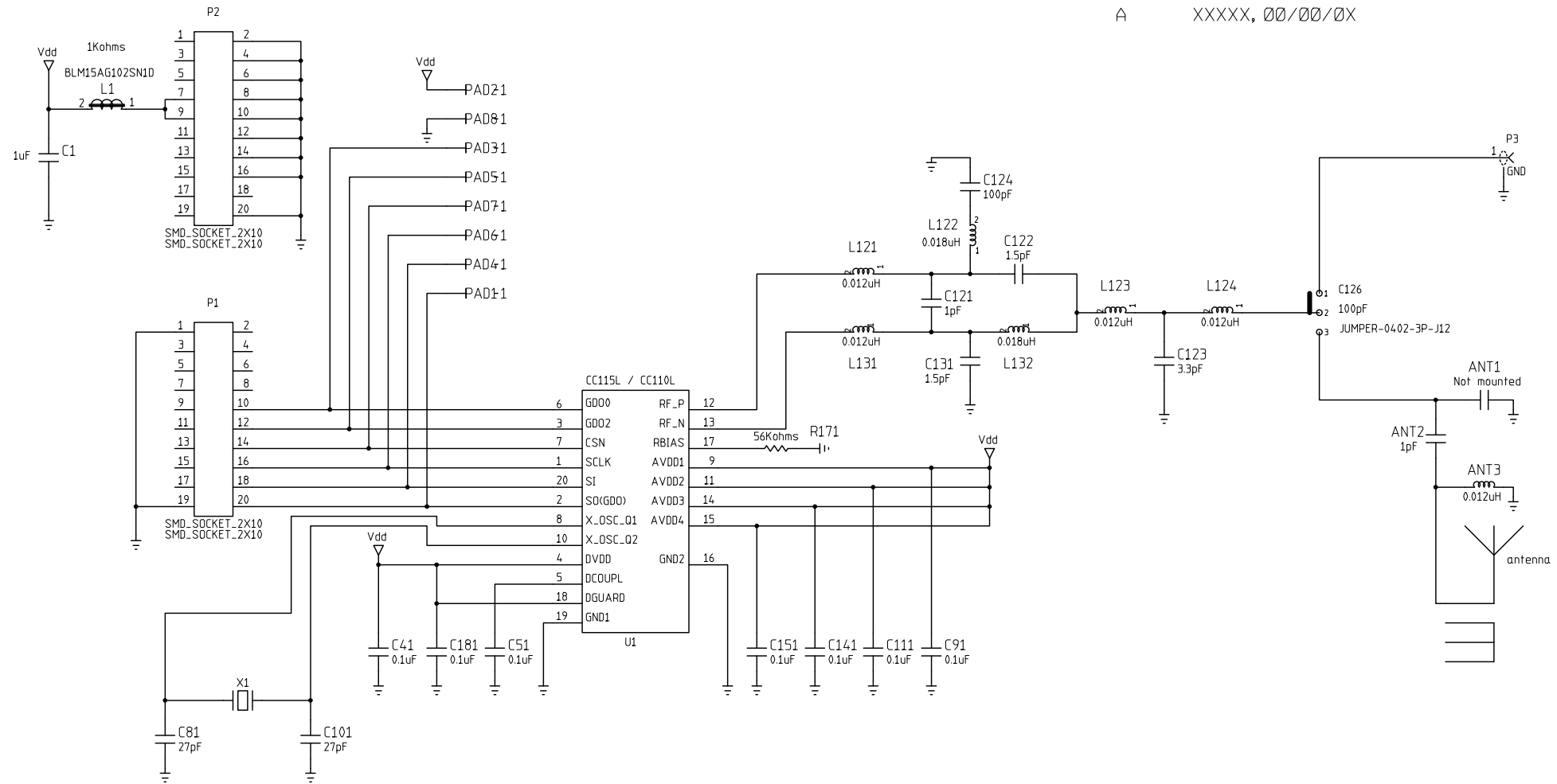


SYM	REVISIONS	
ECR	, MPK	

A XXXXX, 00/00/0X



DRAFTSMAN: RGW	DATE 23/05/2011	TEXAS INSTRUMENTS	CODE IDENTITY NUMBER 01295
DESIGNER: RGW	DATE 23/05/2011	TITLE: SCHEMATIC, CC115L CC110L 868 MHz ValueLine Ref Design	
CHECKER: TBD	DATE 00/00/0X	SCALE 1.0	
ENGINEER: TBD	DATE 00/00/0X	SIZE N	
APPROVED: TBD	DATE 00/00/0X	XXXXXXX	
RELEASED: TBD	DATE 23/05/2011	REV 01	01