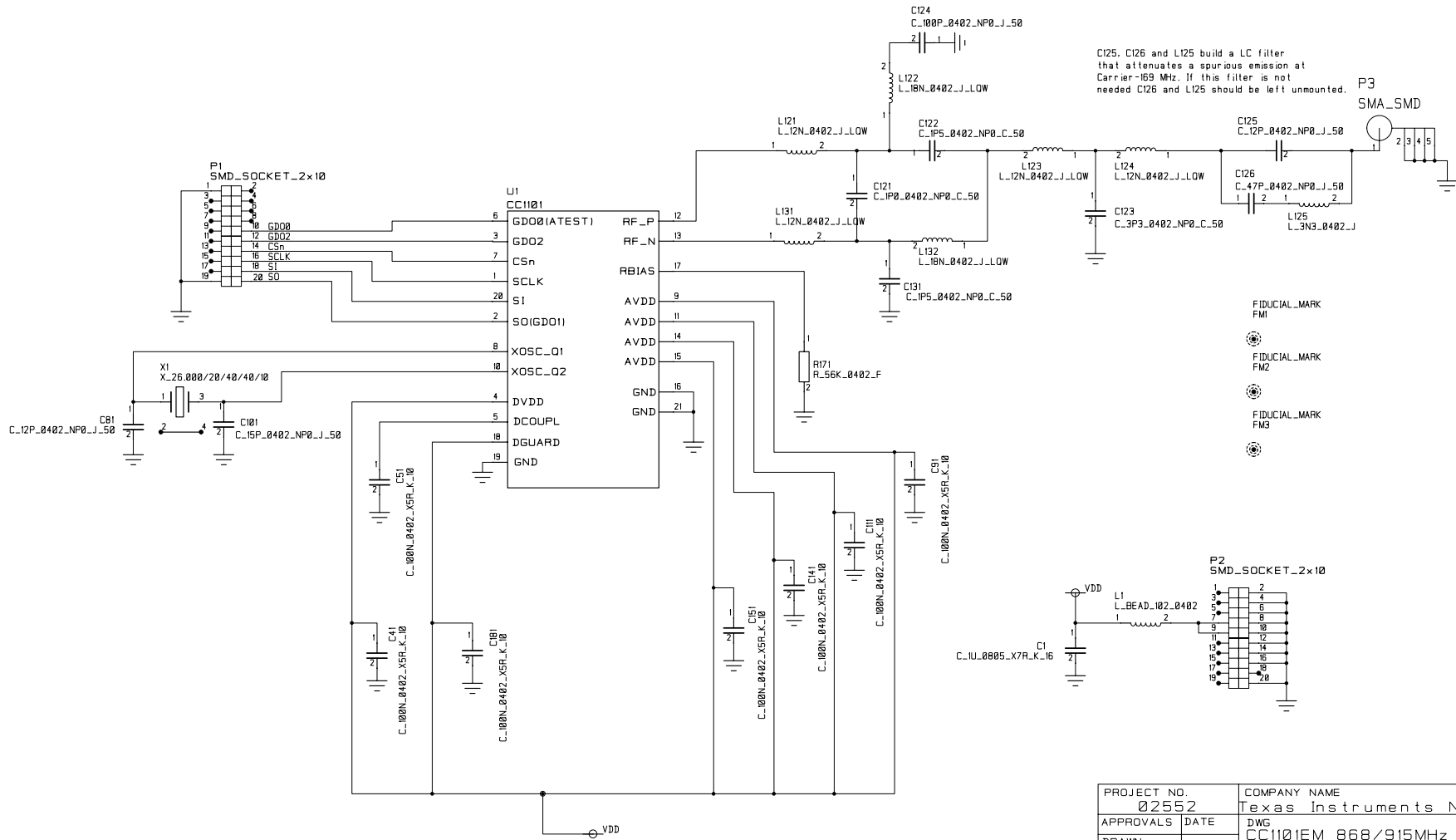


Wire Wound inductors have been used
in the balun and LC filter.
Murata LW15A series



FIDUCIAL_MARK
FM1
FIDUCIAL_MARK
FM2
FIDUCIAL_MARK
FM3

PROJECT NO.	02552			COMPANY NAME	Texas Instruments Norway		
APPROVALS	DATE	DWG		CC1101EM 868/915MHz			
DRAWN	SHE	SIZE	FSCM NO.	DWG NO.	REV.		
CHECKED		A3			3.0.0		
ISSUED		SCALE				SHEET 1(1)	