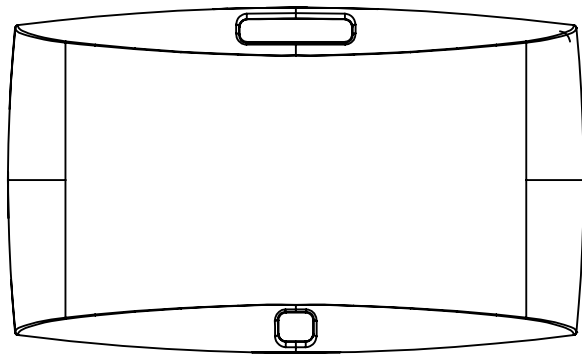
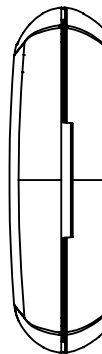


REV	DESCRIPTION	EC#	DATE	DWN	CHK	APP
1	PROTOTYPE		02/02/18	JRR		

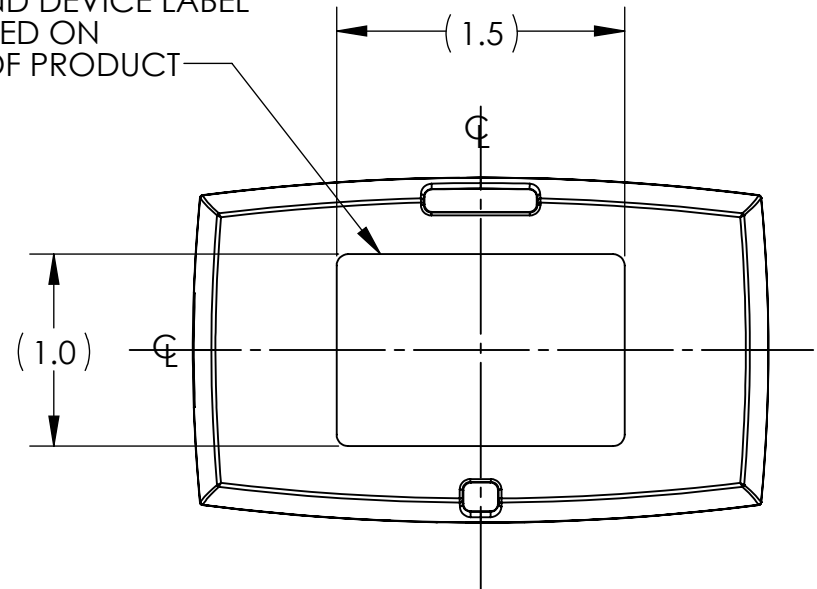


FRONT VIEW



SIDE VIEW


9205-3062
FCC AND DEVICE LABEL
CENTERED ON
BACK OF PRODUCT



BACK VIEW

DISCUSSION ONLY

9205-3066 FCC LABEL LOCATION	9205-3066 FCC
TITLE	PART NUMBER

MATERIAL	TOLERANCE U.O.S	INCHES ANSI STANDARD	THIRD ANGLE PROJECTION	DRAW SCALE	SOLIDWORKS	ORG. DATE	02/01/18	 <p>Ecolab Research Center Dispensing System Engineering 655 Lone Oak Drive, Eagan, MN 55121</p>	9205-3066 FCC
					DO NOT SCALE DRAWING	ORG. EC#	XXXXX		
ANGLE=±	.010		ORG. DRAW#	1 OF 1	PAGE				
	.02					XXXXX	1	CUR EC#	CUR REV
	1								

CONFIDENTIAL

THIS DRAWING, SPECIFICATIONS AND ANY RELATED CAD FILES ARE PROPERTY OF ECOLAB INC.

UNAUTHORIZED USE IS PROHIBITED BY ECOLAB INC.

9205-3066 FCC
DRAWING NUMBER

1 OF 1
PAGE

XXXXX 1
CUR EC# CUR REV