

样品承认书

APPROVED SHEET

客户料号(P/O): OT-051-000024-15

品名(MATERIAL): RF 天线

规格(SPECIFICATION): RF 天线 2.4GHZ/ANT3216R24003KL2/3.2X1.6MM 合康

承认说明: _____

XX 电子有限公司

EDIFIER 漫步者

供样签核 (CUSTOMER APPROVAL)

承认签核 (CUSTOMER APPROVAL)

制作 (ORIGINATED BY):

检验 (INSPECTED BY):

确认 (CHECKED BY):

确认 (CHECKED BY):

核准 (APPROVED BY):

核准 (APPROVED BY):

XX 电子有限公司
陈俊
2021.07.16

许利羽
唐旭 7.16

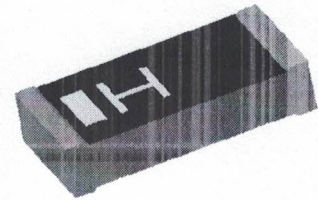
2.4GHz 3216 Chip Antenna: ANT3216R24003KL2

Application:

WLAN, 802.11b/g, Bluetooth, etc...

Features

SMD, high reliability, ultra compact, Omni-directional...



Part number

ANT 3216 R 2400 3K L2
 (1) (2) (3) (4) (5)

(1)Size Code	3.2x1.6mm
(2) Packing	Tape and reel
(3) Frequency	2.4GHz
(4) Packing Number	3K
(5)Code	L2

Electrical Specification

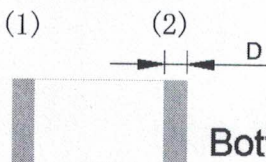
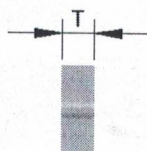
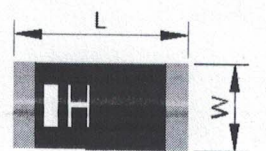
WorkingFrequencyRange	2400 ~2484 MHz
Peak Gain	0.9dBi (Typ.)
Impedance	50 Ohm
VSWR	2.5(Max)
Polarization	Linear
Azimuth Beamwidth	Omni-directional
Operation Temperature(°C)	-40 ~85°C

The specification is defined on HEK EVB.

Dimension and Terminal Configuration

Top

Side



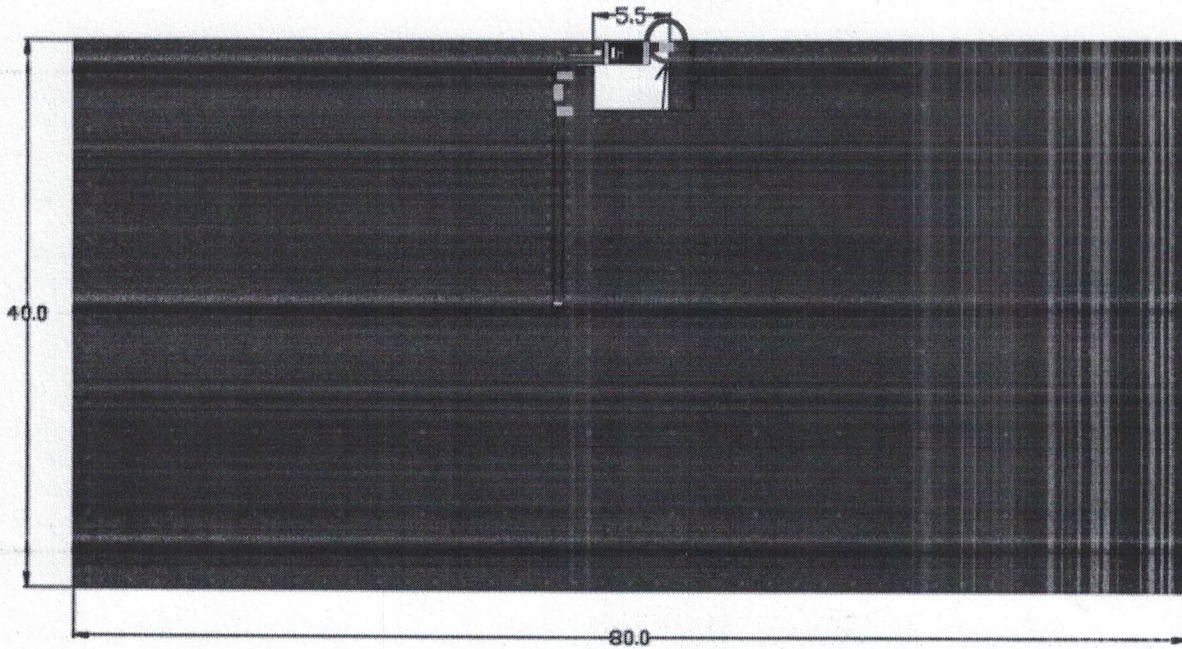
Bottom

Dimension (mm)	
L	3.20±0.15
W	1.60±0.15
T	0.60±0.10
D	0.50±0.15

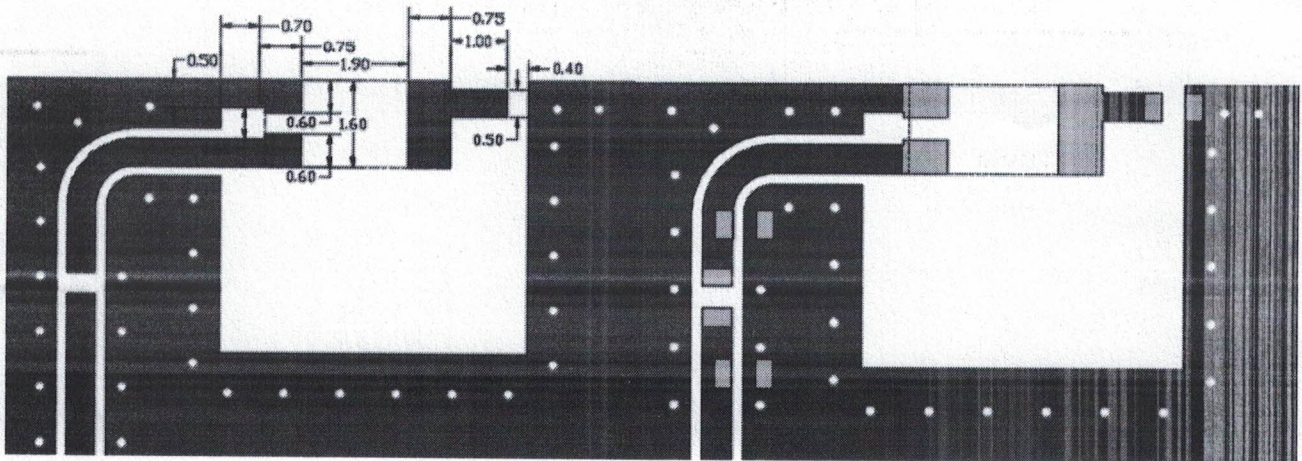
No.	Terminal Name
1	Feeding
2	Ground

2.4GHz 3216 Chip Antenna: ANT3216R24003KL2 Evaluation Board Reference

PCB Dimension



Antenna Layout Reference



Unit : mm

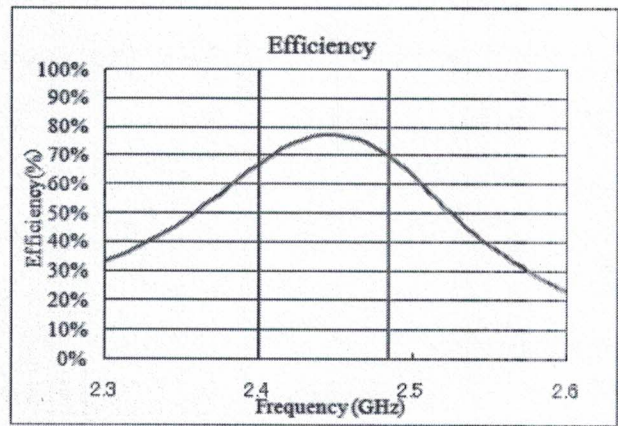
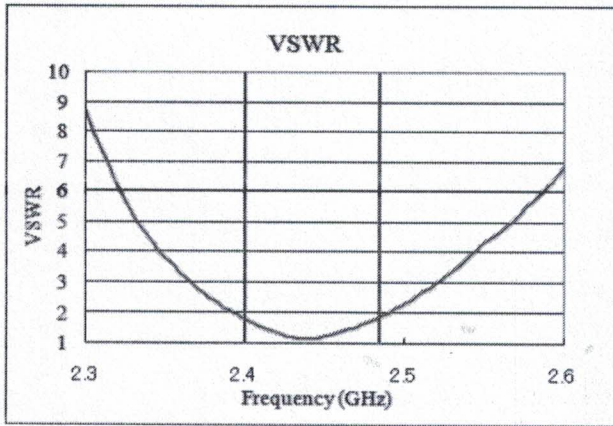
□ : Chip Antenna

■ : Land Pattern

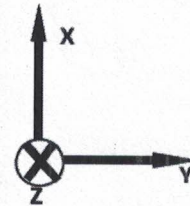
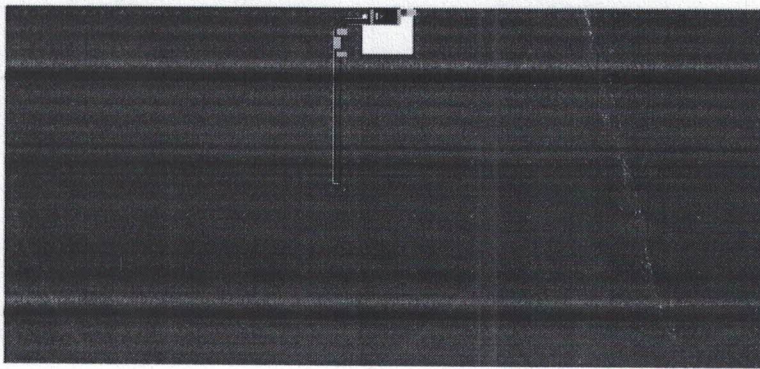
2.4GHz 3216 Chip Antenna: ANT3216R24003KL2

Electrical Characteristics

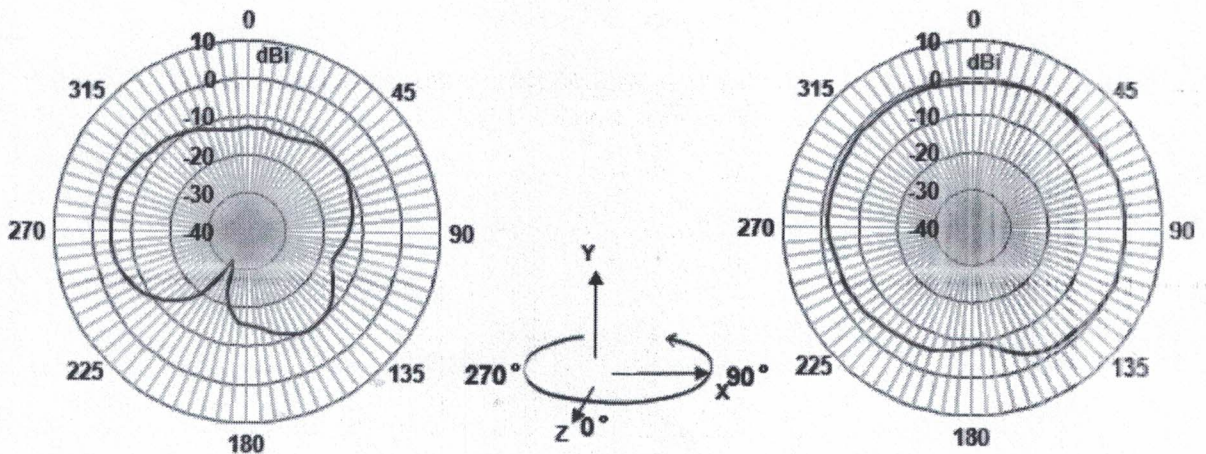
VSWR&Efficiency



Radiation Pattern

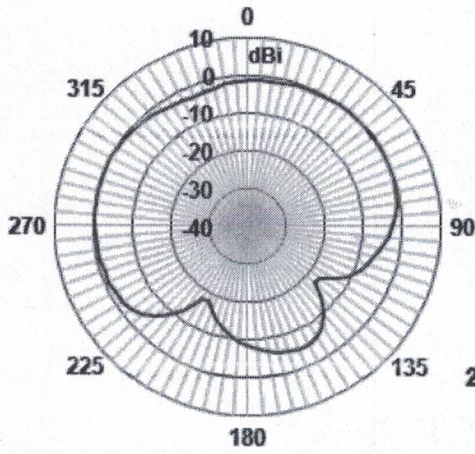


ZX-Plane

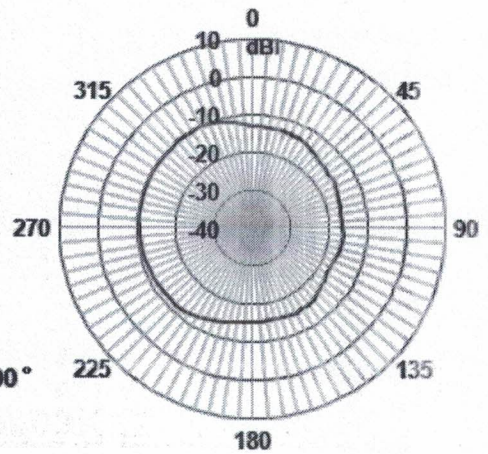
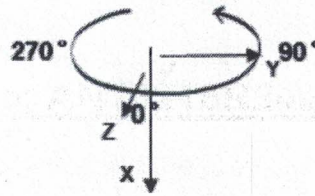


2.4GHz 3216 Chip Antenna: ANT3216R24003KL2

ZY-Plane

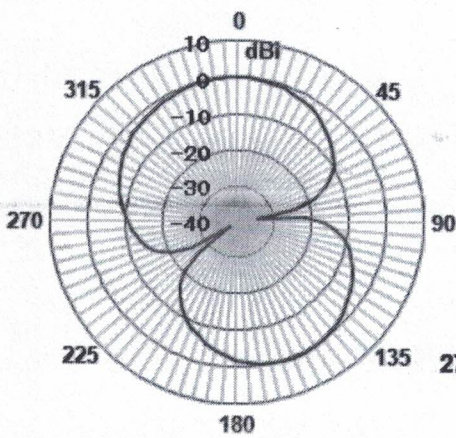


Horizontal Polarization

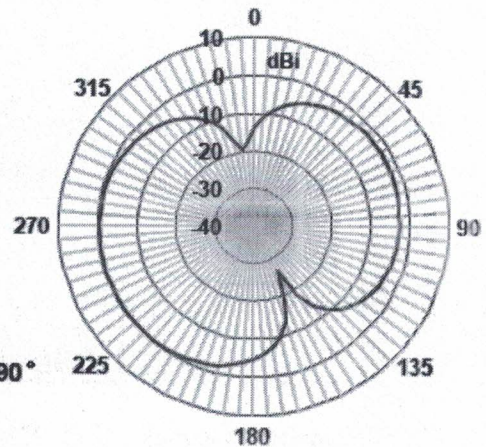
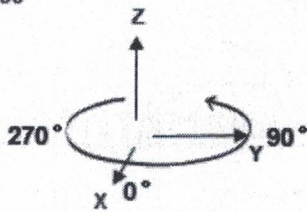


Vertical Polarization

XY-Plane



Horizontal Polarization



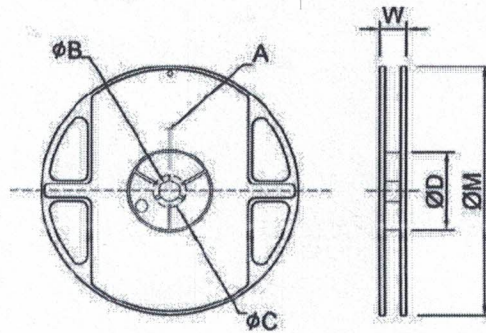
Vertical Polarization

2.4GHz 3216 Chip Antenna: ANT3216R24003KL2

Taping Specifications

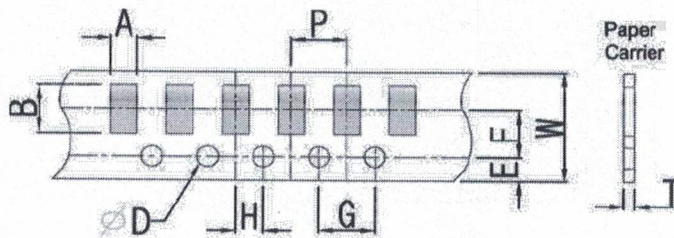
Reel and Taping Specification

Reel Specification



TYPE	SIZE	A	ϕB	ϕC	ϕD	W	ϕM	
3216	7"	3K/Reel	2.0±0.5	13.5±1.0	21±1.0	60±1.0	11.5±2.0	178±2.0

Taping Specification

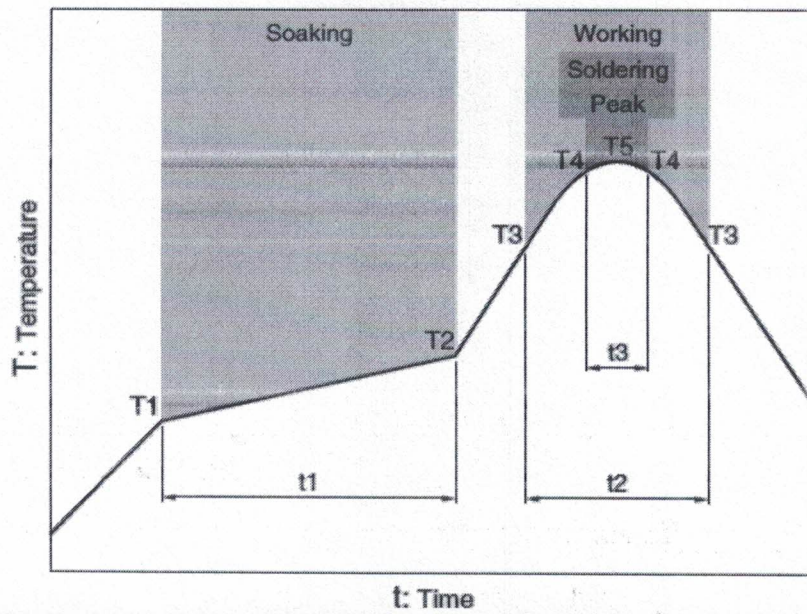


Packaging	Type	A	B	W	E	F	G	H	T	ϕD	P
Paper Type	3216	1.90±0.20	3.50±0.20	8.0±0.20	1.75±0.10	3.5±0.05	4.0±0.10	2.0±0.05	0.75±0.10	1.50 ^{+0.10} ₋₀	4.0±0.1

2.4GHz 3216 Chip Antenna: ANT3216R24003KL2

Recommended Reflow Profile

Pb free solder



Soaking			Working		Soldering		Peak
Temp.		Time	Temp.	Time	Temp.	Time	Temp.
T1	T2	t1	T3	t2	T4	t3	T5
150°C	180°C	60 to 120sec	230°C	more than 30sec	247 to 253°C	within 10sec	260°C Max.

April. 2020 Ver.H01