

天线规格书

Antenna specification

1、天线类型：板载天线

Antenna type: On-board antenna

型号: Onboard antenna

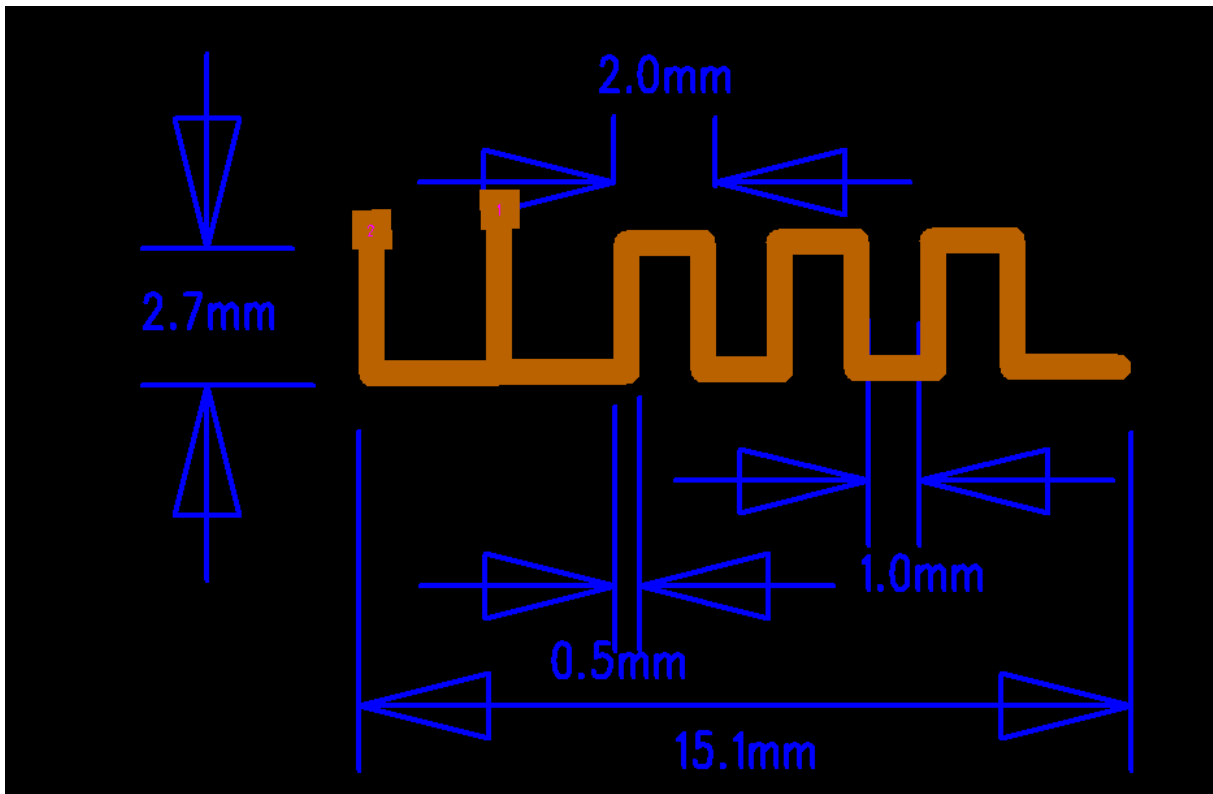
Antenna model: Onboard antenna

2、天线厂家：深圳市瑞博芯通讯科技有限公司

Antenna manufacturer: Shenzhen RuiBoXin Communication technology co. LTD

3、实物照片，图纸：

Antenna photo and drawings:



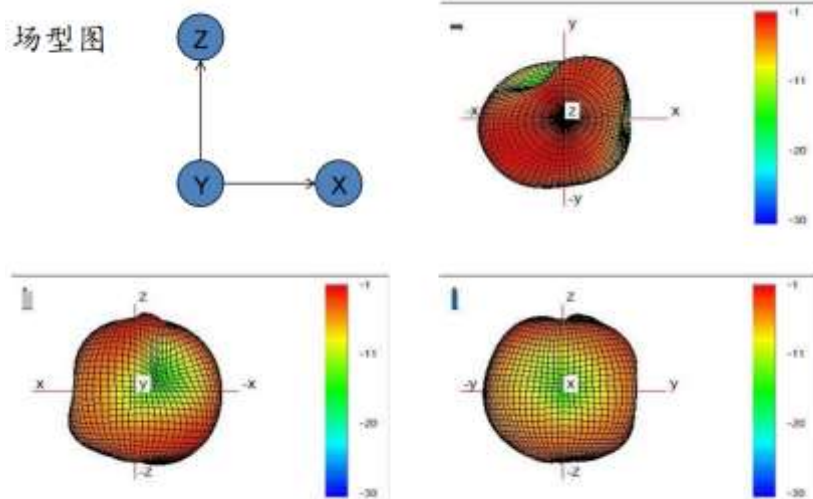
4、天线效率, 频率, 增益

Antenna efficiency, frequency, and gain

Freq(MHz)	Gain(dBi)	Efficiency (dB)	Efficiency(%)
2400	-1.092096105	-4.419215019	36.14751928
2410	-0.956179993	-4.264310188	37.46010421
2420	-0.808495886	-4.232665627	37.73405145
2430	-0.843676901	-4.2406359	37.66486456
2440	-0.723310716	-4.120803856	38.71859722
2450	-0.758773435	-4.200794657	38.01198369
2460	-1.086130255	-4.496391757	35.51083009
2470	-1.106292714	-4.505864195	35.43346148
2480	-0.996041639	-4.529232417	35.24331555
2490	-1.279911019	-4.789744167	33.19140093
2500	-1.435967445	-4.986322203	31.72252729

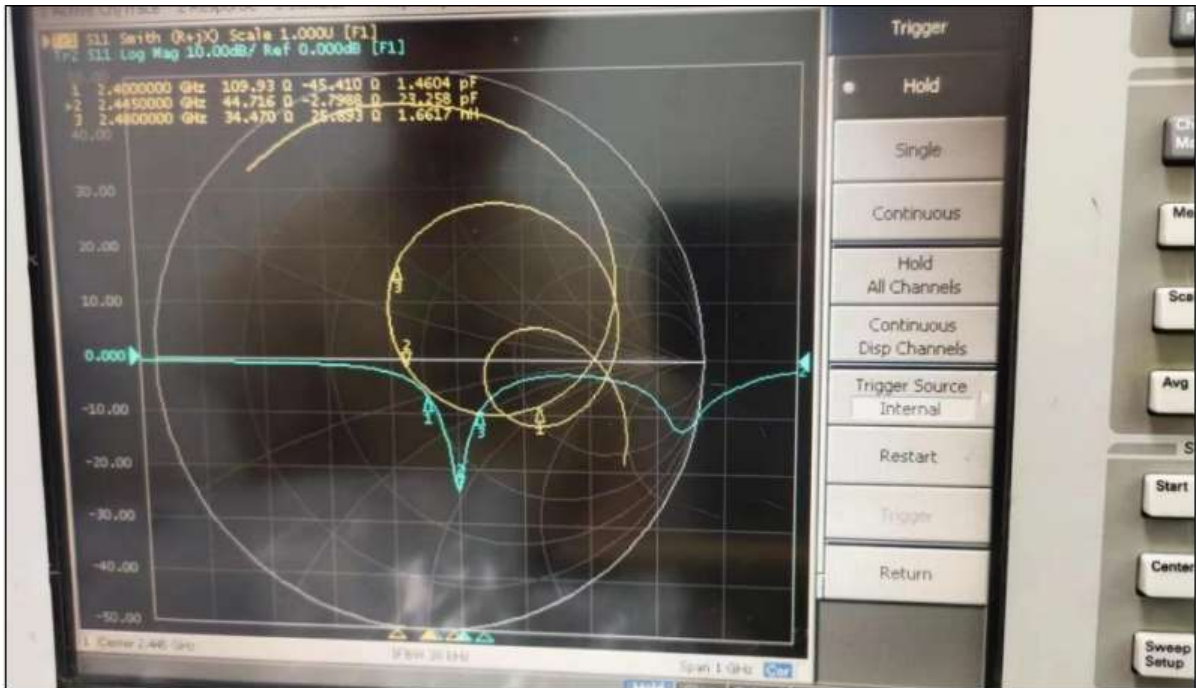
5、天线 3D 图

Antenna 3D drawings



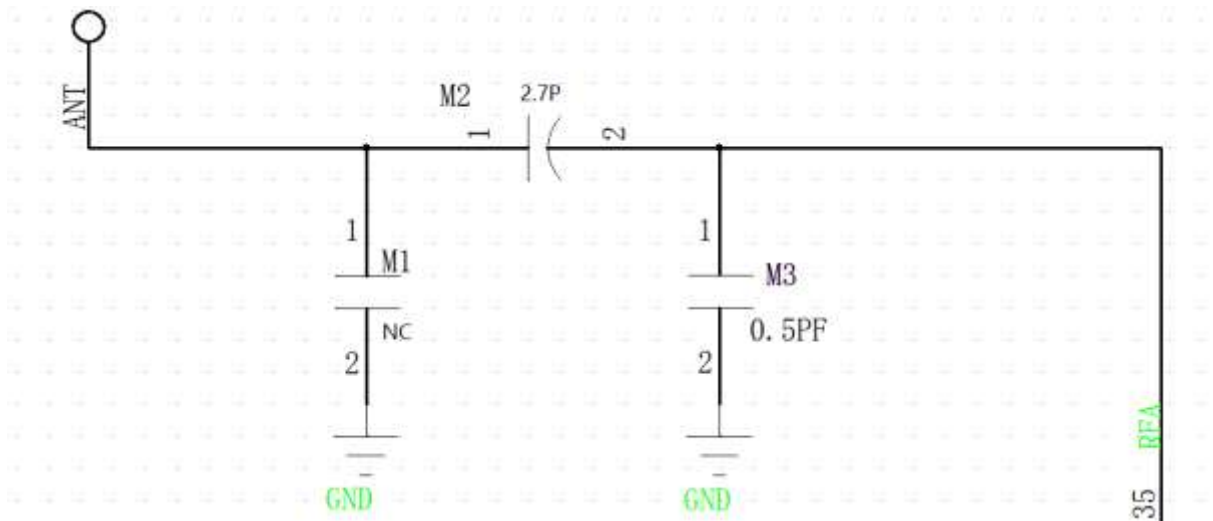
6、天线驻波比

antenna standing wave ratio



7、匹配电路

Corresponding circuit drawings



8、测试环境

Testing environment

