

Edifier International Limited

Declaration of difference

Date: July 27, 2023

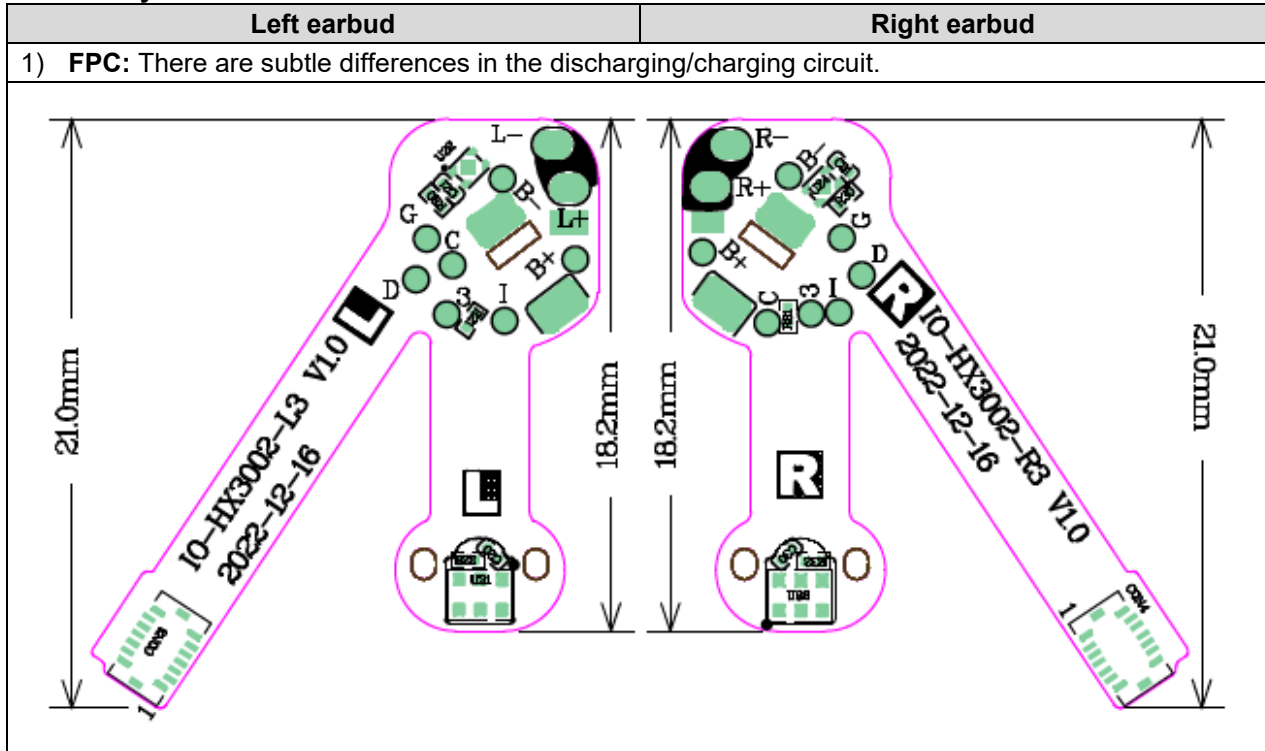
FCC ID: Z9G-EDF213

We, Edifier International Limited, declare on our sole responsibility for the product details of EDF800003, there are some differences between Left earphone and Right earphone of EDF800003, please refer to the content below for more details.

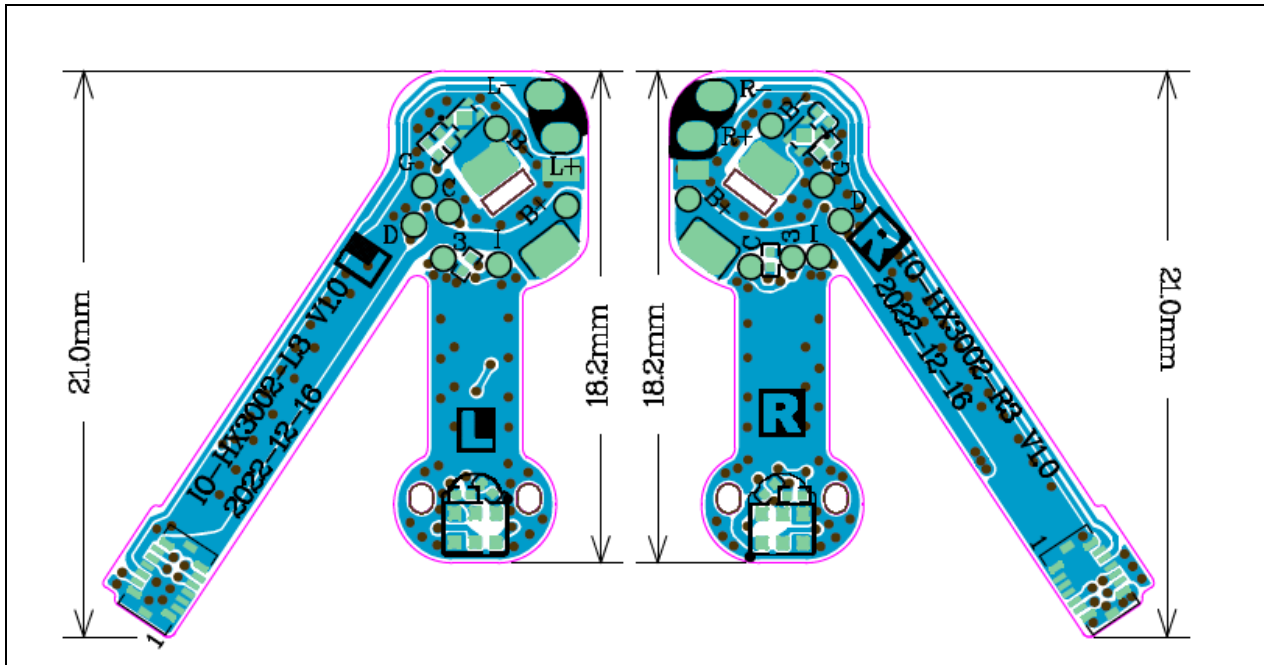
1. Antenna

Left earbud	Right earbud
Max. Antenna Gain: -0.02 dBi	Max. Antenna Gain: 0.32 dBi

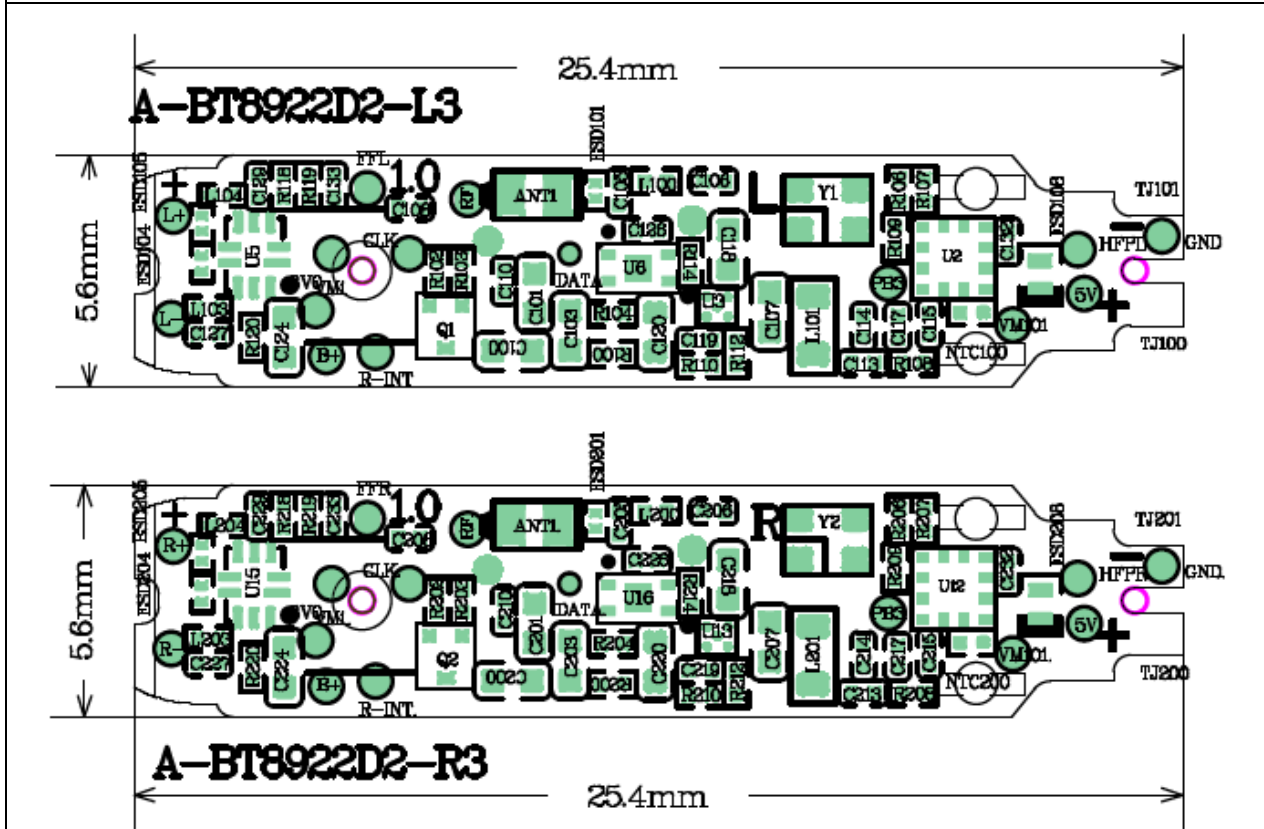
2. PCB Layout



Edifier International Limited



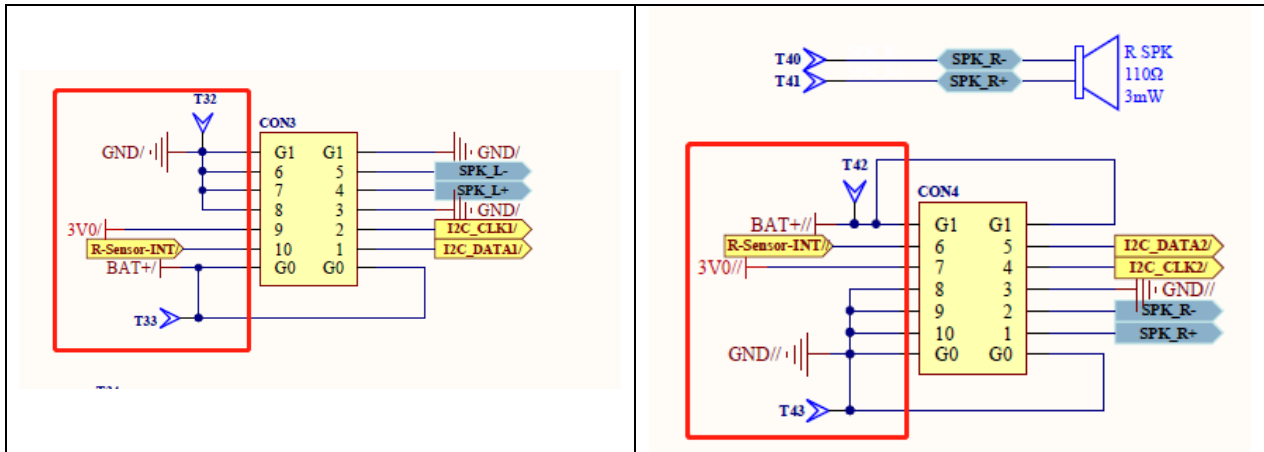
2) **Mainboard:** Only the left and right ear component numbers are described differently



3. Schematics

Left earbud	Right earbud
1. Mainboard: It's just that the left and right ear bits are described differently.	
2. FPC: There are subtle differences in the discharging/charging circuit.	

Edifier International Limited



Except listings above, the others are all the same.

Should you have any questions or comments regarding this matter, please have my best attention.

Sincerely yours,

Geng Chen

Signature

Printed Name: Geng Chen

Title: Safety Manager

Company Information: Edifier International Limited

Address: P.O. Box 6264 General Post Office Hong Kong