



Model: EDF100002

Edifier International Limited
P.O. Box 6264
General Post Office
Hong Kong

Tel: +852 2522 6989
Fax: +852 2522 1989
www.edifier.com
© 2020 Edifier International Limited. All rights reserved.
Printed in China

NOTICE:
For the need of technical improvement and system upgrade, information contained herein may be subject to change from time to time without prior notice.
Products of EDIFIER will be customized for different applications. Pictures and illustrations shown on this manual may be slightly different from actual product. If any difference is found, the actual product prevails.

D12 Stereo Bluetooth Speaker

User manual

Important safety instruction

1. Please read the instructions carefully. Keep it in safe place for future reference.
2. Use only accessories approved by the manufacturer.
3. Install the instrument properly by following the instructions in the device connection section.
4. Using the product in a 0-35°C environment is recommended.
5. To reduce the risk of fire and electric shock, do not expose the product to rain or moisture.
6. Do not use this product near water. Do not immerge the product into any liquid or have it exposed to dripping or splashing.
7. Do not install or use this product near any heat source (e.g. radiator, heater, stove, or other devices that generate heat).
8. Do not place any object filled with liquids, such as vases on the product; neither should any open fire, such as lighted candles be placed on the product.
9. Do not block any ventilation openings. Do not insert any object into ventilation openings or slots. It may cause fire or electric shock.
10. Keep sufficient clearance around the product to maintain good ventilation (minimum 5cm is recommended).
11. Do not force a plug into the jack. Before connection, check for blockage in the jack and whether the plug matches the jack and is oriented to the right direction.
12. Keep the provided accessories and parts (such as screws) away from children to prevent from being swallowed by mistake.
13. Do not open or remove the housing yourself. It may expose you to dangerous voltage or other hazardous risks. Regardless the cause of damage (such as damaged wire or plug, exposure to liquid splash or foreign object falling in, exposure to rain or moisture, product not working or being dropped, etc.), the repair has to be performed by an authorized service professional immediately.
14. Before cleaning the product with dry cloth, always turn off the product and disconnect the power plug first.
15. Never use strong acid, alkali, gasoline, alcohol, or other chemical solvents to clean the product surface. Use only neutral solvent or clear water for cleaning.

Excessively loud music may lead to hearing loss. Please keep the volume in a safe range.

Correct Disposal of this product. This marking indicates that this product should not be disposed with other household wastes throughout the EU. To prevent possible harm to the environment or human health from uncontrolled waste disposal, recycle it responsibly to promote the sustainable reuse of material resources. To return your used device, please use the return and collection systems or contact the retailer where the product was purchased. They can take this product for environmental safe recycling.

Use only with the cart, stand, tripod, bracket, or table specified by the manufacturer, or sold with the apparatus. When a cart is used, use caution when moving the cart/apparatus combination to avoid injury from tip-over.

1 English

Important safety instruction

Power warning:

1. Place the product near the power outlet for easy use.
2. Before use, make sure that the operating voltage is the same as your local power supply. Correct operating voltage can be found on the product plate.
3. For safety purpose, unplug the product during lightning storms or when unused for extended periods of time.
4. Under normal conditions, the power supply may get hot. Please keep good ventilation in the area and exercise caution.
5. Safety warning labels on the housing or bottom of the product or power adaptor.

This symbol is to alert the user to the presence of un-insulated dangerous voltage within the product's enclosure that may be of sufficient magnitude to constitute a risk of electric shock to persons.

This symbol is to warn the user not to disassemble the enclosure of the product and there is no user-replaceable part inside. Take the product to an authorized service center for repair.

This symbol indicates that the product is for indoor use only.

This symbol indicates that the product is a CLASS II or double insulated electrical device with no earth requirement.

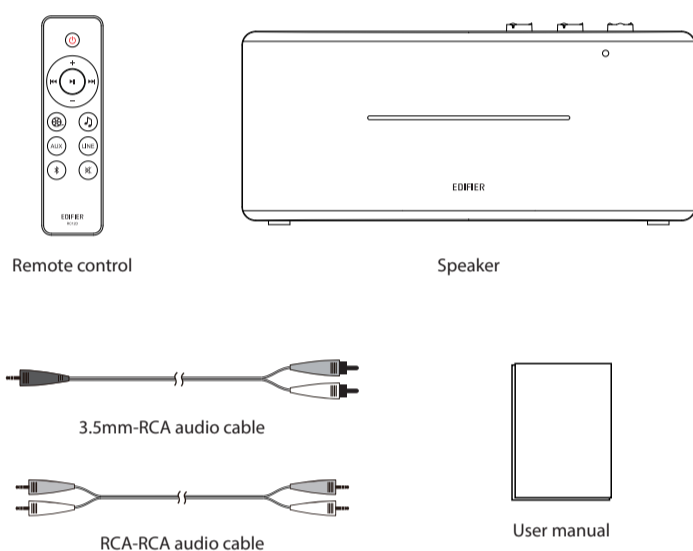
The MAINS plug is used as the disconnect device, the disconnect device shall remain readily operable.

For wireless product:

1. Wireless product may generate shortwave radio frequencies and interfere with the normal use of other electronic devices or medical equipment.
2. Turn off the product when it's disallowed. Do not use the product in medical facilities, on airplane, at gas stations, near automatic gates, automatic fire alarm system or other automated devices.
3. Do not use the product in the vicinity of a pacemaker within a 20cm range. The radio waves may affect the normal operation of the pacemaker or other medical devices.

2 English

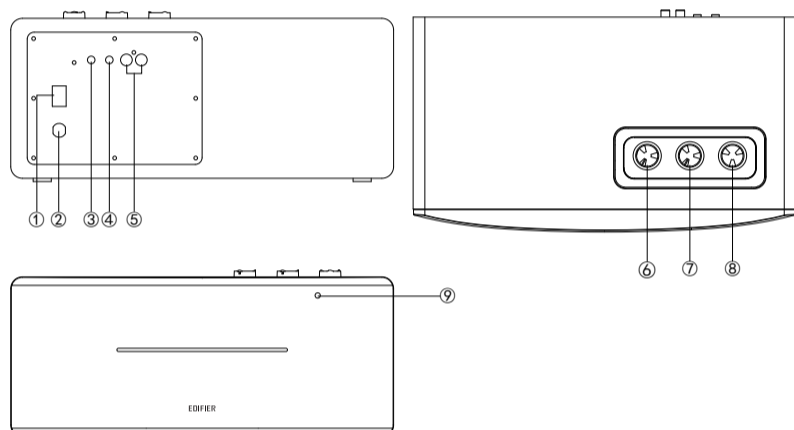
Box contents



Note: Images are for illustrative purposes only and may differ from the actual product.

3 English

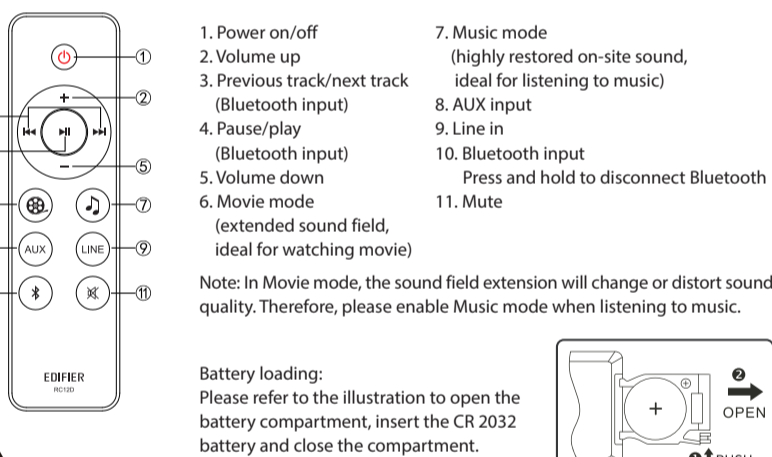
Illustration



- | | |
|-----------------|--|
| 1. Power switch | 8. Volume control/input selector |
| 2. Power cable | Input mode switch: press |
| 3. Line out | Disconnect Bluetooth: press and hold (Bluetooth already connected) |
| 4. AUX input | Power on: press/press and hold (when powered off via remote control, and power switch already turned on) |
| 5. Line in | Power off: press and hold |
| 6. Bass dial | 9. Infrared receiver/input indicator |
| 7. Treble dial | Green light steady lit: AUX/Line in |
| | Blue light flashing rapidly: Bluetooth unconnected |
| | Blue light steady lit: Bluetooth already connected |

4 English

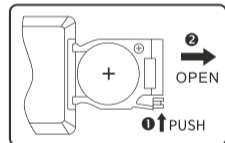
Remote control



- | | |
|--|---|
| 1. Power on/off | 7. Music mode (highly restored on-site sound, ideal for listening to music) |
| 2. Volume up | 8. AUX input |
| 3. Previous track/next track (Bluetooth input) | 9. Line in |
| 4. Pause/play (Bluetooth input) | 10. Bluetooth input |
| 5. Volume down | 11. Mute |
| 6. Movie mode (extended sound field, ideal for watching movie) | |

Note: In Movie mode, the sound field extension will change or distort sound quality. Therefore, please enable Music mode when listening to music.

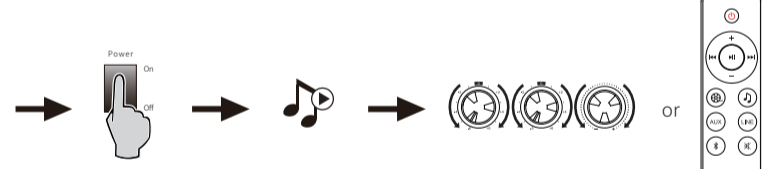
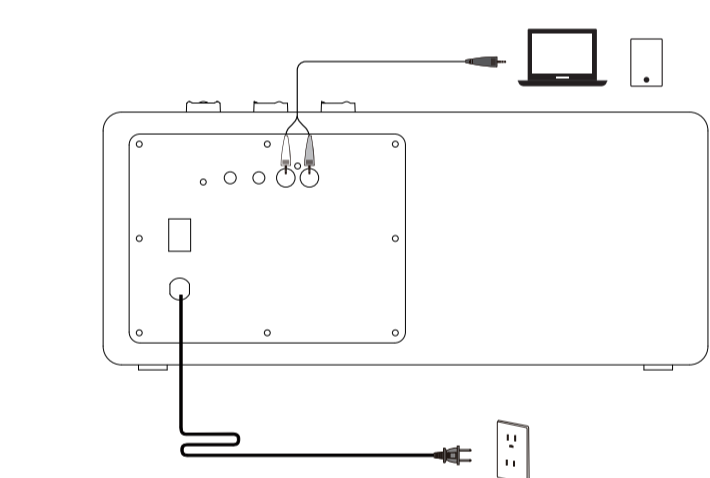
Battery loading:
Please refer to the illustration to open the battery compartment, insert the CR 2032 battery and close the compartment.



- WARNING!**
1. Don't swallow the battery; danger of chemical burn.
 2. The product includes a wafer battery. Swallowing this battery may lead to injury or death. Do not place the new or old battery in where children can get to it.
 3. Don't use the product if the battery cover is missing or not closed, and keep the remote inaccessible to children.
 4. Please go to the hospital immediately if the battery is swallowed.
- Note:**
1. Do not place the remote control in places that are hot and humid.
 2. Do not charge the batteries.
 3. Remove the batteries when unused for a long period of time.
 4. The battery should not be exposed to excessive heat such as direct sun, fire or similar.
 5. Danger of explosion if battery is incorrectly replaced. Replace only with the same or equivalent type.

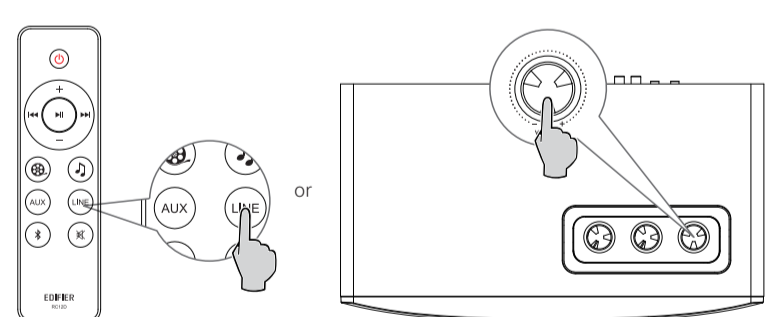
5 English

Connection



6 English

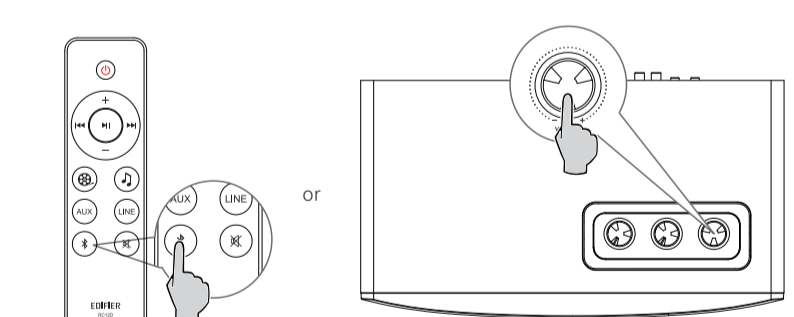
Line in input



- Press the "volume/input" dial on the speaker to switch to AUX input (green light flashing once) or Line in input (green light flashing twice).
- Respectively press the "AUX"/"LINE" button on the remote control to switch to AUX/Line in input.

7 English

Bluetooth input



- Press the "Bluetooth" button on the remote control or press the "volume/input" dial on the speaker to switch to Bluetooth input, blue light will flash rapidly.
- Set your mobile phone to search for and connect to "EDIFIER D12", after pairing is successful, the blue light will be steady lit.
- To disconnect Bluetooth, press and hold the "Bluetooth" button on the remote control or press and hold the "volume/input" dial on the speaker for 2 seconds.

Note:

- To enjoy all Bluetooth functions of this product, please ensure your audio source device has A2DP (Advanced Audio Distribution Profile) and AVRCP (Audio Video Remote Control Profile) profile.
- Bluetooth connectivity and compatibility may differ amongst different source devices, depending on the software versions of source devices.

8 English

Specifications

Power output: R/L (treble): 15W+15W R/L(mid-range and bass): 20W+20W
Frequency response: 54Hz-20KHz
Audio input: AUX, Line in, Bluetooth
Audio output: Line out

Declaration for EU
Frequency Band: 2.402GHz~2.480GHz
RF Power output: ≤20 dBm (EIRP)
There is no restriction of use.

9 English

Troubleshooting

No sound

- Check if the speaker is ON.
- Try to turn up the volume using the volume control or remote control.
- Ensure the audio cables are firmly connected and the input is set correctly on the speaker.
- Check if there is a signal output from the audio source.

Cannot connect via Bluetooth

- Make sure the speaker is switched to Bluetooth input. If it is in other audio input modes, Bluetooth will not connect. Disconnect from any Bluetooth device by pressing and holding the "Bluetooth" button, then try again.
- Effective Bluetooth transmission range is 10 meters; please ensure that operation is within that range.
- Try another Bluetooth device for connection.

The D12 does not turn on

- Check if main power is connected, or if the wall outlet is switched on.

Noise coming from speakers

- EDIFIER speakers generate little noise, while the background noise of some audio devices are too high. Please unplug audio cables and then turn the volume up, if no sound can be heard at 1 meter away from the speaker, there is no problem with this product.

To learn more about EDIFIER, please visit www.edifier.com
For EDIFIER warranty queries, please visit the relevant country page on www.edifier.com and review the section titled Warranty Terms.
USA and Canada: service@edifier.ca
South America: Please visit www.edifier.com (English) or www.edifierla.com (Spanish/Portuguese) for local contact information.

10 English