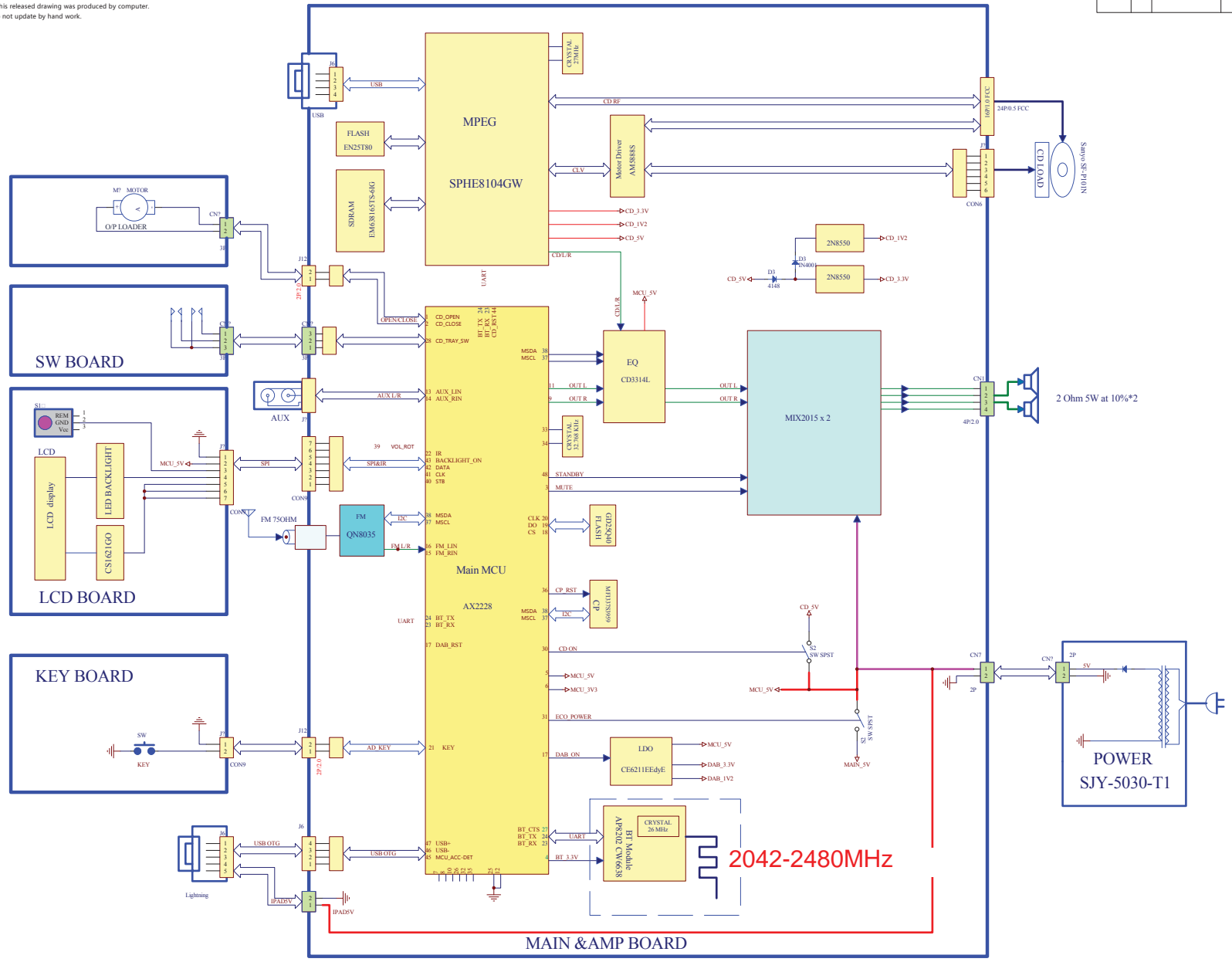


DATE	S/N	Modify summary	Revise	Drawn by	Approved by

Remark : This released drawing was produced by computer.
Do not update by hand work.



MAIN & AMP BOARD

2042-2480MHz

POWER
SJY-5030-T1

2 Ohm 5W at 10%*2

