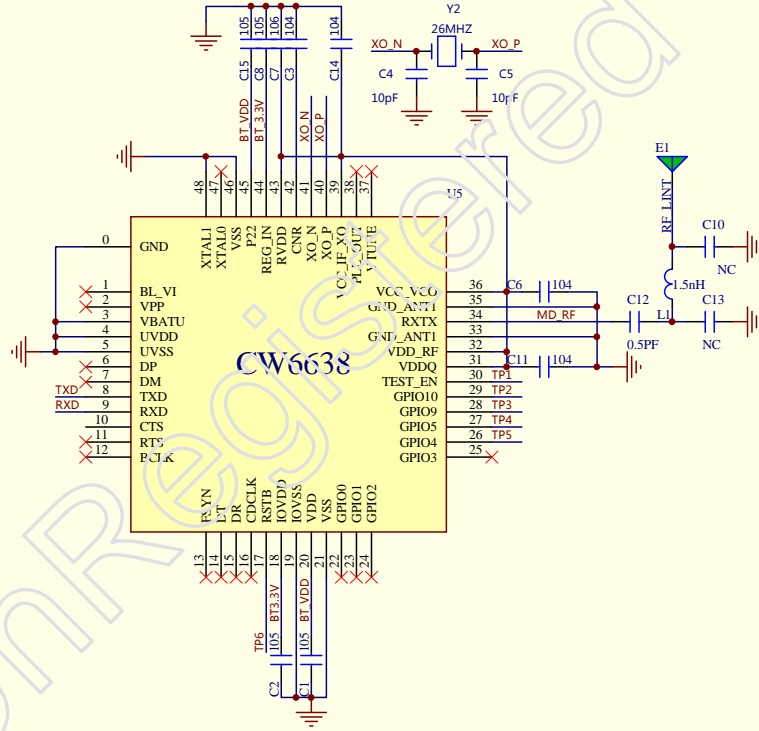
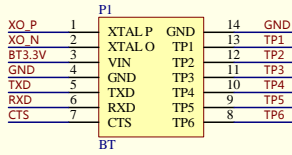


Remark : This released drawing was produced by computer.
Do not update by hand work.

DATE	S/N	Modify summary	Revise	Drawn by	Approved by
2013-12-01	/	/	V1.2	dk.Cen	jh.xiao



Applicant : Zhong shan city Richsound Electronic Industrial Ltd	Issue Date : 2013-12-01
Model name : Soundbar Speaker System	Model Number:
Title: TB303 BLUETOOTH V1.2.SCH	Page Number: 4