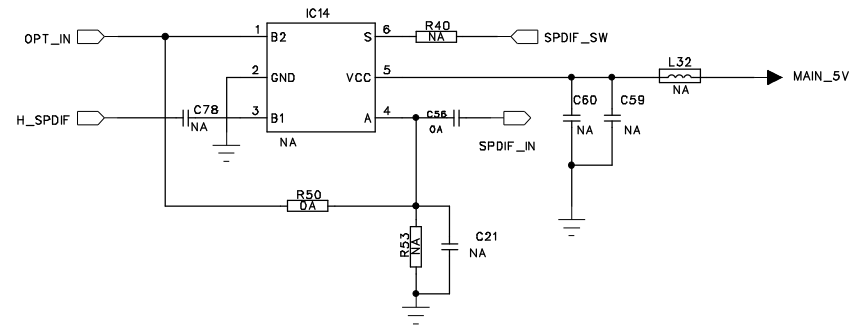
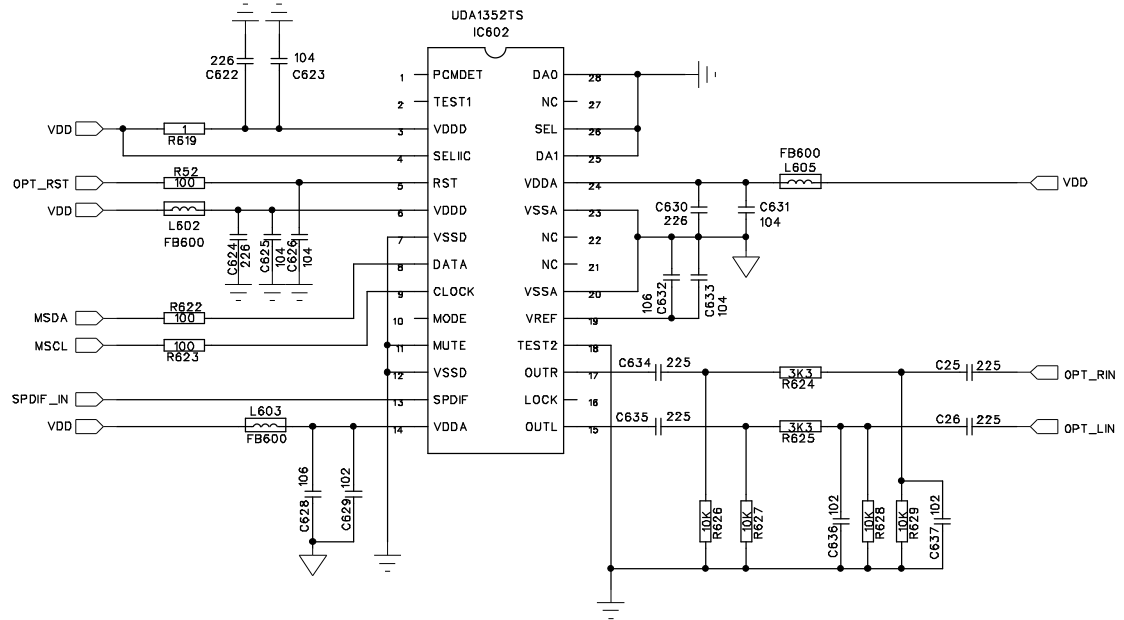
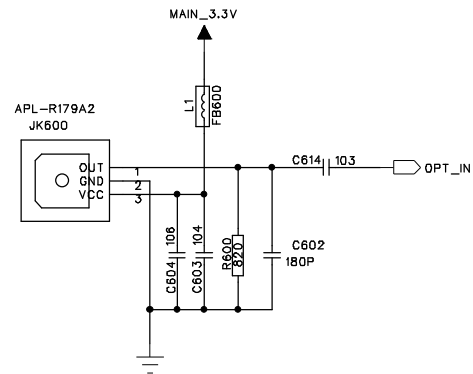
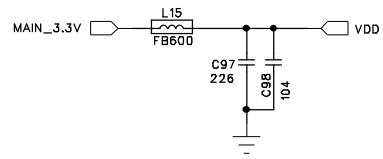


Applicant :	zhong shan city Richsound Electronic industrial Ltd
Model name :	SOUND BASE
Model Number:	TT312
Issue Date :	2013.11.25
Title :	DAB+FM
Page Number:	1



Applicant :	zhong shan city Richsound Electronic industrial Ltd
Model name :	SOUND BASE
Model Number:	TT312
Issue Date :	2013.11.25
Title :	OPTICAL
Page Number:	2

6 5 4 3 2 1

D

D

C

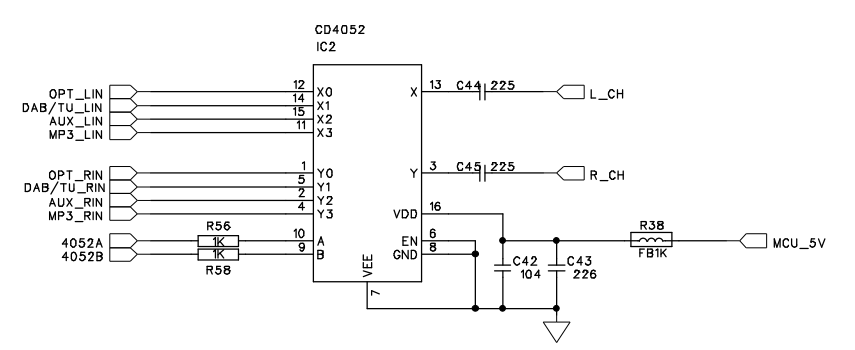
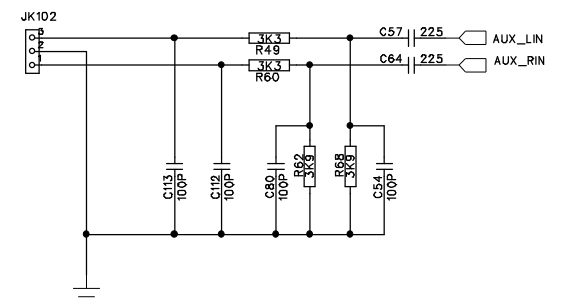
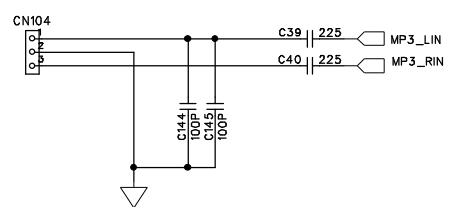
C

B

B

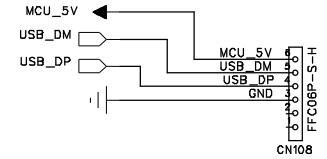
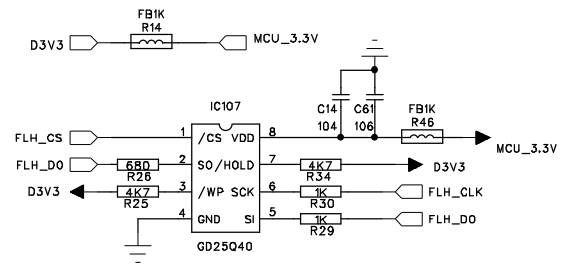
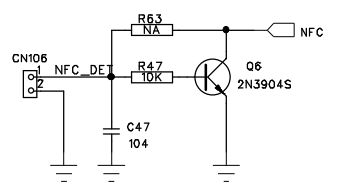
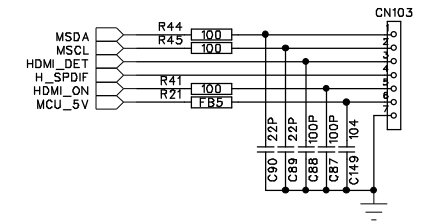
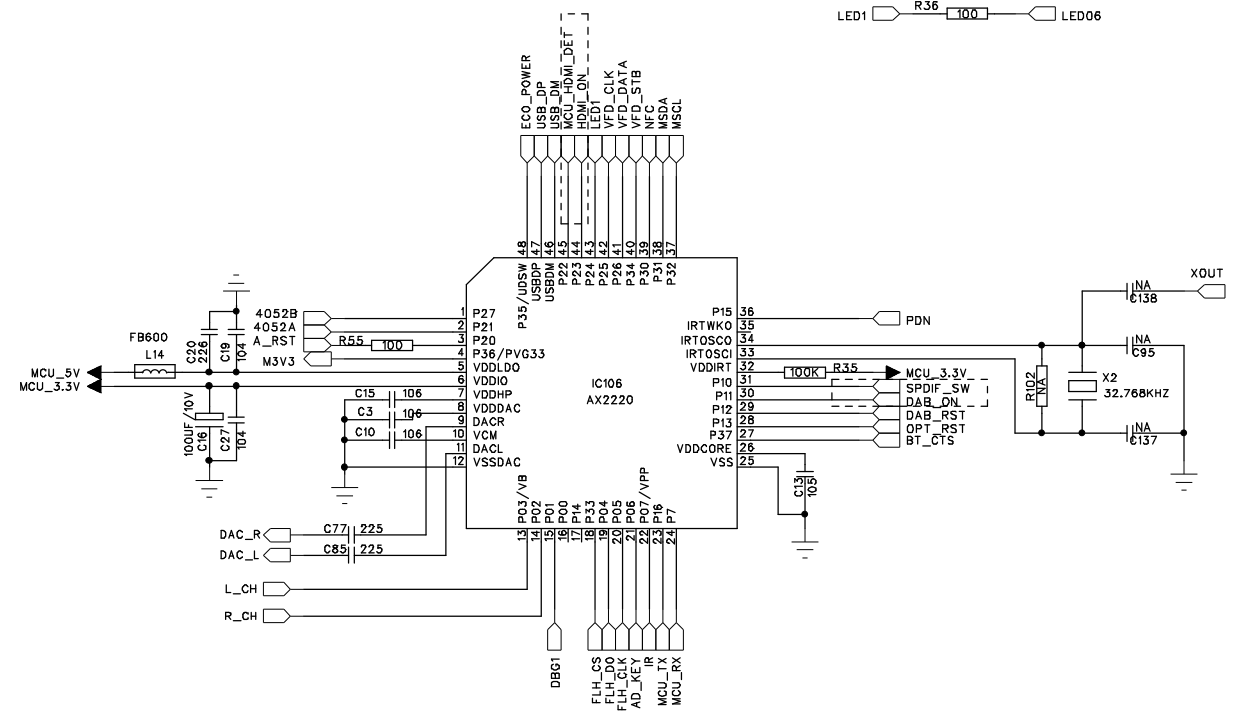
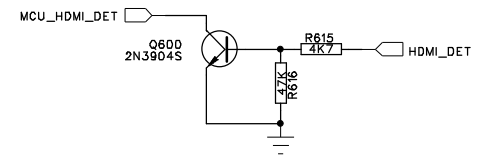
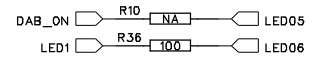
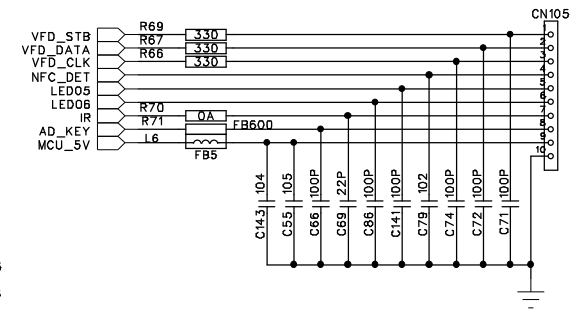
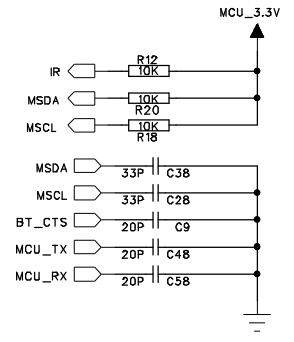
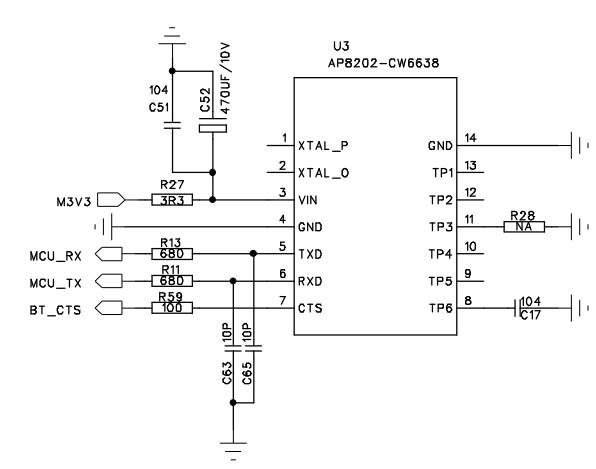
A

A

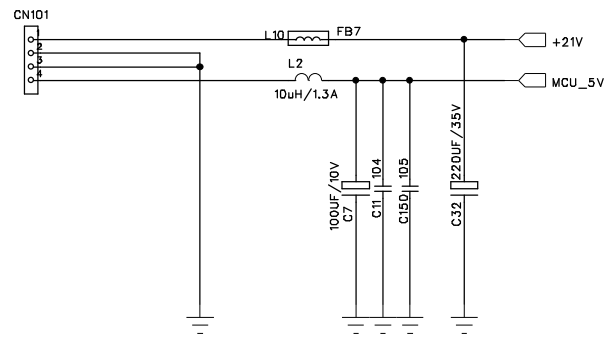
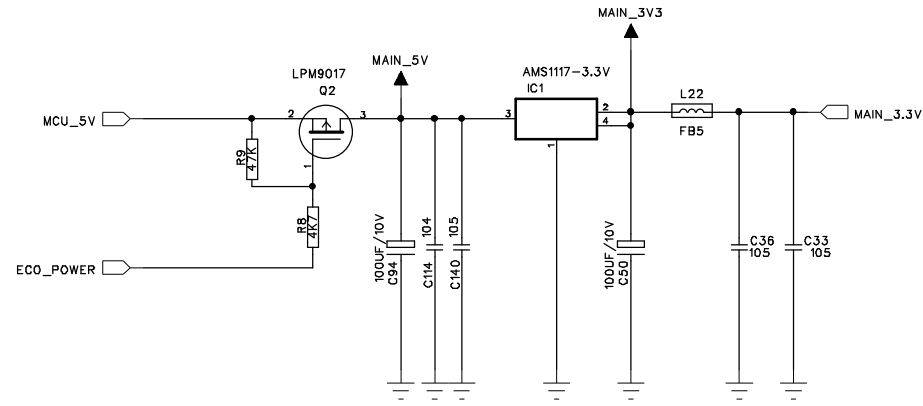


Applicant :	zhong shan city Richsound Electronic industrial Ltd
Model name :	SOUND BASE
Model Number:	TT312
Issue Date :	2013.11.25
Title :	AUDIO IN
Page Number:	3

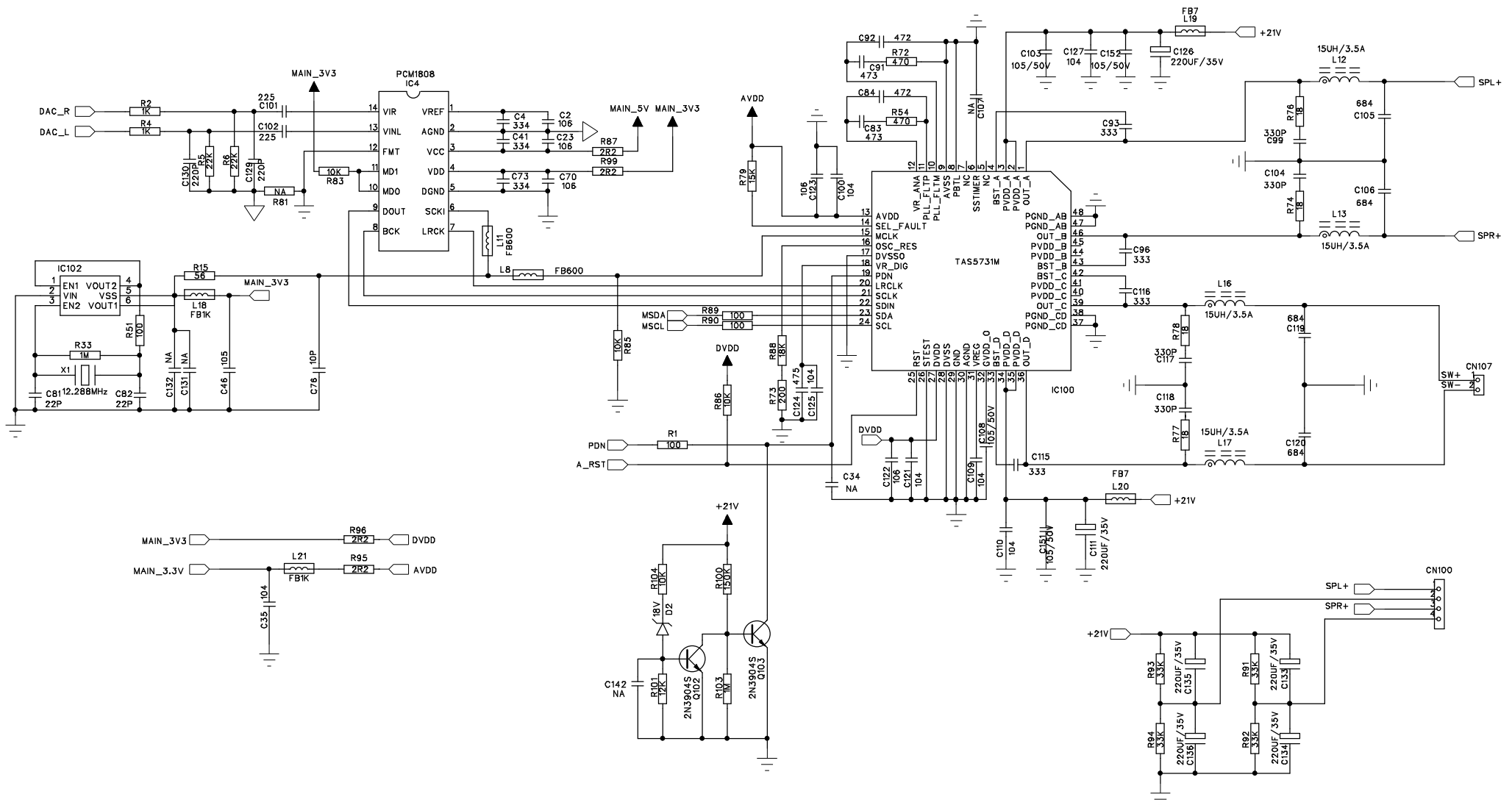
6 5 4 3 2 1



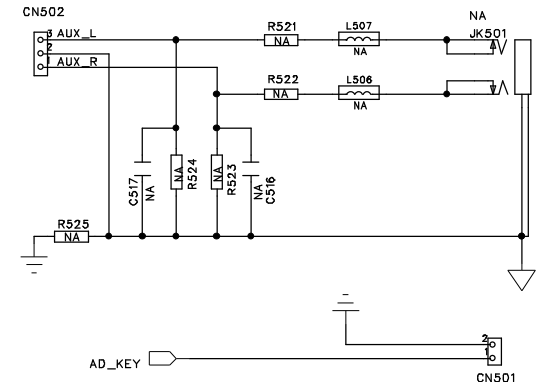
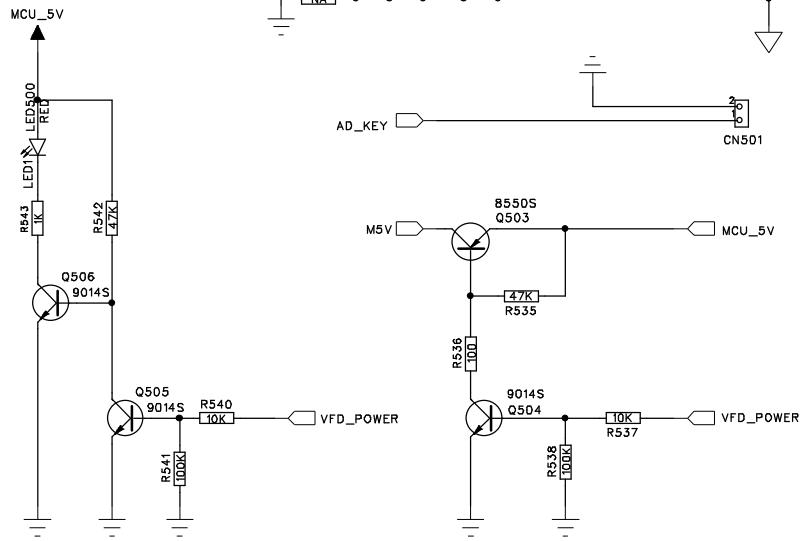
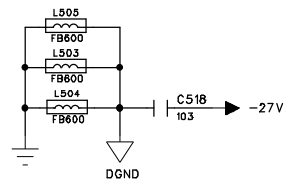
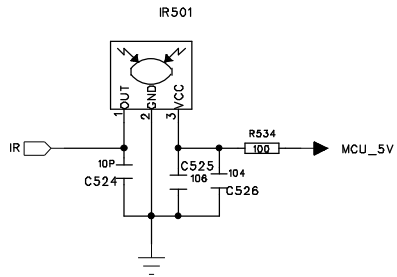
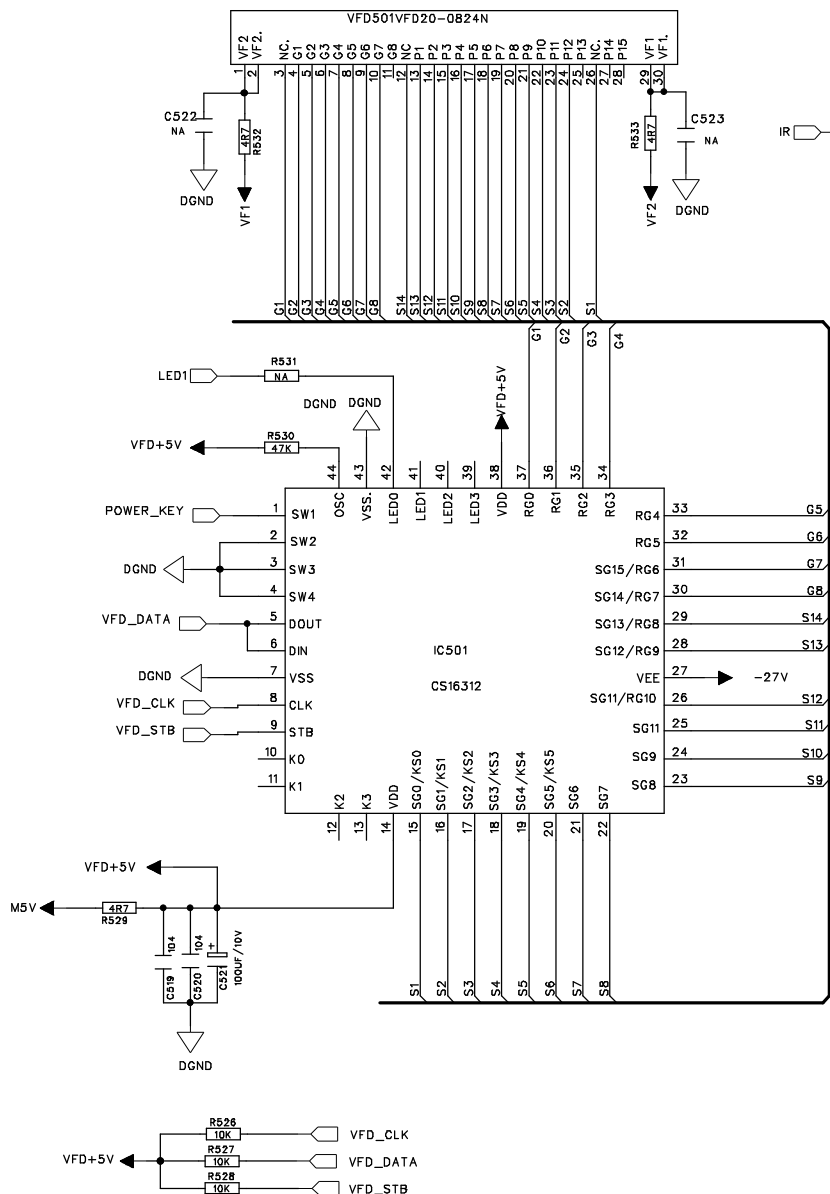
Applicant :	zhong shan city Richsound Electronic industrial Ltd
Model name :	SOUND BASE
Model Number:	TT312
Issue Date :	2013.11.25
Title :	MCU
Page Number:	4



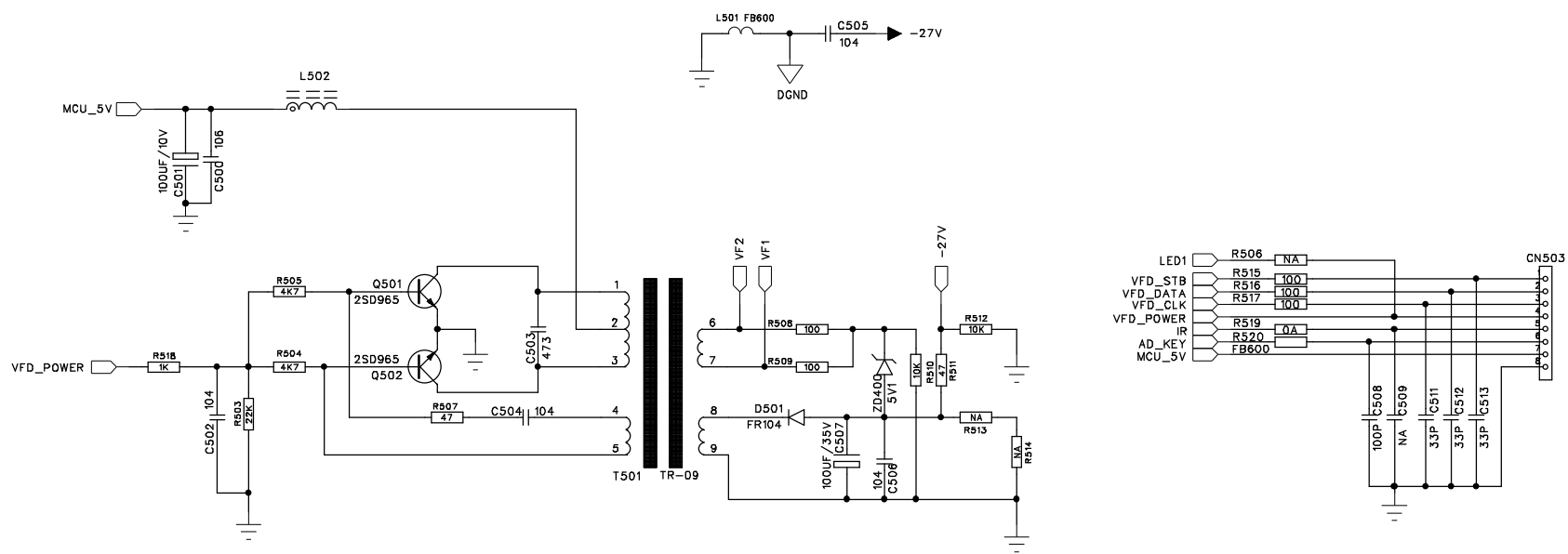
Applicant :	zhong shan city Richsound Electronic industrial Ltd
Model name :	SOUND BASE
Model Number:	TT312
Issue Date :	2013.11.25
Title :	POWER
Page Number:	5



Applicant :	zhong shan city Richsound Electronic industrial Ltd
Model name :	SOUND BASE
Model Number:	TT312
Issue Date :	2013.11.25
Title :	POWER AMP
Page Number:	6



Applicant :	zhong shan city Richsound Electronic industrial Ltd
Model name :	SOUND BASE
Model Number:	TT312
Issue Date :	2013.11.25
Title :	VFD-DISPLAY
Page Number:	7



Applicant :	zhong shan city Richsound Electronic industrial Ltd
Model name :	SOUND BASE
Model Number:	TT312
Issue Date :	2013.11.25
Title :	VFD-POWER
Page Number:	8

6

5

4

3

2

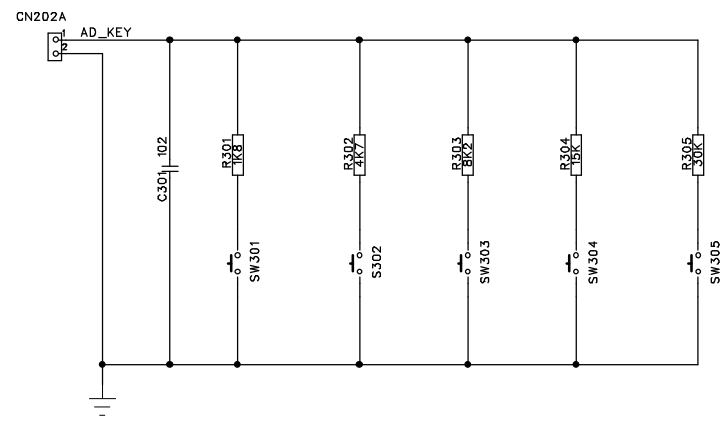
1

D

C

B

A



Applicant :	zhong shan city Richsound Electronic industrial Ltd
Model name :	SOUND BASE
Model Number:	TT312
Issue Date :	2013.11.25
Title :	KEY
Page Number:	9

6

5

4

3

2

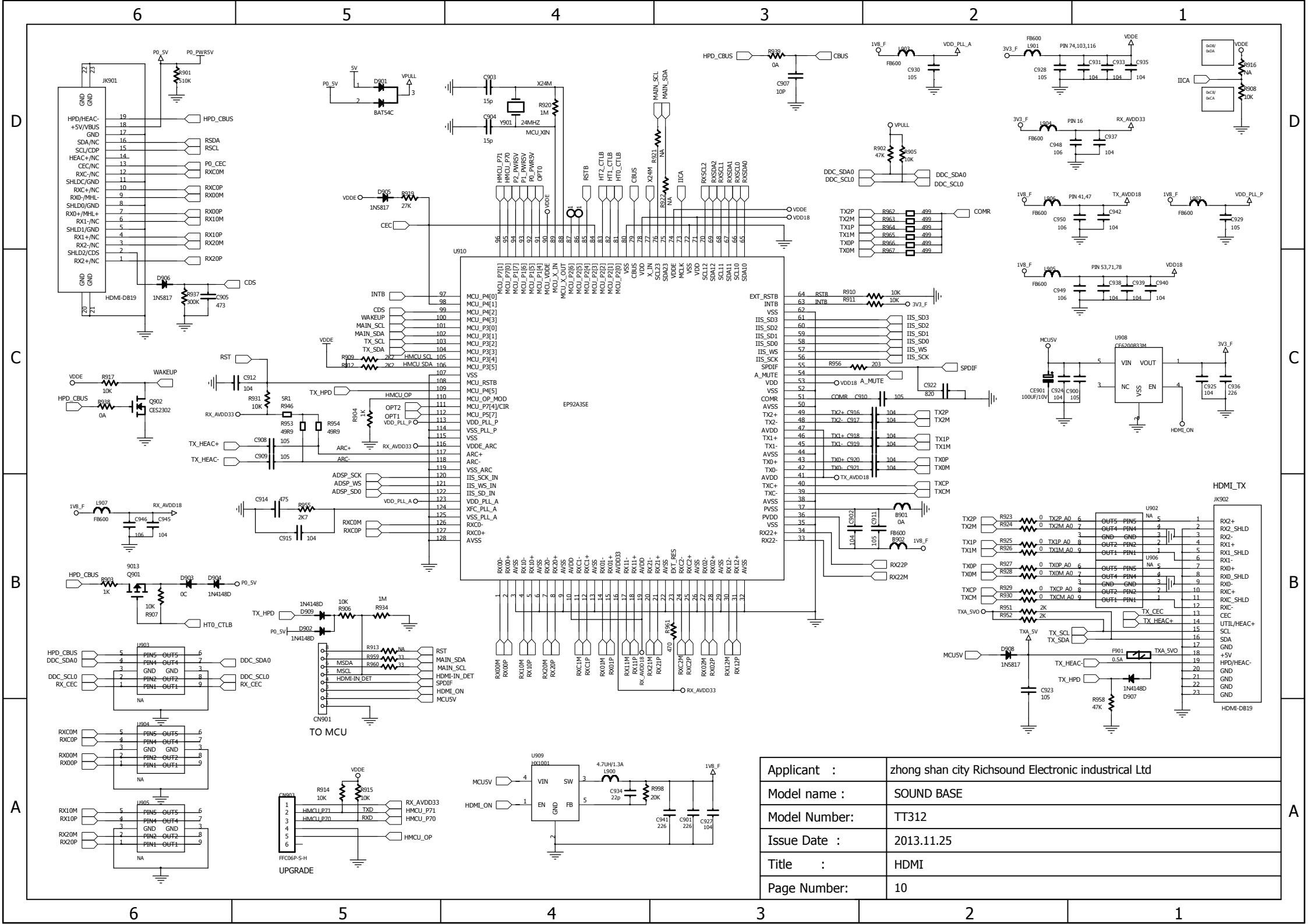
1

D

C

B

A



Applicant :	zhong shan city Richsound Electronic industrial Ltd
Model name :	SOUND BASE
Model Number:	TT312
Issue Date :	2013.11.25
Title :	HDMI
Page Number:	10