



Safety precautions

The information you need to prevent danger to the user and other people as well as property damage is described below. "Description of signs" shows different categories of the degree of danger or damage that may occur due to wrong handling. "Description of symbols" shows the meaning of the symbols.

Important notes

- This book is only a guide for user's operation, not a criterion for configuration.
- Only use attachments/accessories specified by the manufacturer.



The lightning flash is intended to alert the user to the presence of dangerous voltage within the product's enclosure, and touching the internal components may result in a risk of electric shock to persons.



The exclamation mark is intended to alert the user to the presence of important operating instructions.



To reduce the risk of electric shock or fire, do not open the cover. Refer servicing to qualified service personnel.

Description of signs

WARNING Indicates that there is a risk of death or serious injury.

CAUTION Indicates that there is a risk of light injury or property damage.

Description of symbols

Indicates "Prohibition" or "You must not do" with pictures and text.

Indicates "Mandatory Action" or "Do as indicated" with pictures and text.

What to do in the case of an abnormality

WARNING

- Stop using the device immediately in case of an abnormality or failure.
- Remove the USB cable immediately when water or any foreign object enters the interior of the device. It may cause a fire or electric shock. Remove the USB cable immediately, and contact your dealer for a repair.

Usage

WARNING

To reduce the risk of fire, electric shock or product damage,
• Do not disassemble, repair, or modify the unit. Refer servicing to qualified service personnel.

- Do not step on, throw, or drop battery or the power supply unit, or expose them to a strong shock.
- Do not throw the unit into fire. The battery could explode causing injury or death.
- Do not install this unit in a confined or built-in space such as a book case or similar unit, and keep well-ventilated conditions. The ventilation should not be impeded by covering the ventilation openings with items such as newspaper, table-cloths, curtains etc.
- Do not expose this unit to rain, moisture, dripping or splashing.
- Do not place objects filled with liquids, such as vases, on this unit.

- Place the unit on a flat surface away from sources of direct sunlight or excessive heat.
- The unit is not for use by children, and keep it out of reach of children.

Battery

WARNING

DO NOT INGEST BATTERY, CHEMICAL BURN HAZARD

- The remote control supplied with this product contains a coin/button cell battery. If the coin/button cell battery is swallowed, it can cause severe internal burns in just 2 hours and lead to death. Keep new and used batteries away from children. If the battery compartment does not close securely, stop using the product and keep it away from children. If you think batteries might have been swallowed or placed inside any part of the body, seek immediate medical attention.

- Danger of explosion if battery is incorrectly replaced.
- Replace only with the same or equivalent type.
- The battery (batteries or battery pack) must not be exposed to excessive heat such as sunshine, fire or the like.

Important Safety Instructions

- 1 Read these instructions - All the safety and operating instructions should be read before this product is operated.
- 2 Keep these instructions - The safety and operating instructions should be retained for future reference.
- 3 Heed all warnings - All warnings on the appliance and in the operating instructions should be adhered to.
- 4 Follow all instructions - All operating and use instructions should be followed.
- 5 Do not use this apparatus near water - The appliance should not be used near water or moisture - for example, in a wet basement or near a swimming pool and the like.
- 6 Clean only with a dry cloth.
- 7 Do not block any ventilation openings. Install in accordance with the manufacturer's instructions.
- 8 Do not install near any heat sources such as radiators, heaters, stoves, or other apparatus (including amplifiers) that produce heat.
- 9 Do not defeat the safety purpose of the polarized or grounding-type plug. A polarized plug has two blades with one wider than the other. A grounding type plug has two blades and a third grounding prong. The wide blade or the third prong is provided for your safety. If the provided plug does not fit into your outlet, consult an electrician for replacement of the obsolete outlet.
- 10 Protect the power cord from being walked on or pinched, particularly at plugs, convenience receptacles and at the point where they exit from the apparatus.
- 11 Only use attachments/accessories specified by the manufacturer.
- 12 Use only with the cart, stand, tripod, bracket, or table specified by the manufacturer, or sold with the apparatus. When a cart or rack is used, use caution when moving the cart/apparatus combination to avoid injury from tip-over.
- 13 Unplug the apparatus during lightning storms or when unused for long periods of time.
- 14 Refer all servicing to qualified personnel. Servicing is required when the apparatus has been damaged in any way, such as power supply cord or plug is damaged, liquid has been spilled or objects have fallen into the apparatus, the unit has been exposed to rain or moisture, does not operate normally, or has been dropped.
- 15 This equipment is a Class II or double insulated electrical appliance. It has been designed in such a way that it does not require a safety connection to electrical earth.
- 16 The apparatus shall not be exposed to dripping or splashing. No objects filled with liquids, such as vases, shall be placed on the apparatus.
- 17 Minimum distance around the apparatus for sufficient ventilation is 5 cm.
- 18 The ventilation should not be impeded by covering the ventilation openings with items, such as newspapers, table-cloths, curtains, etc...
- 19 No naked flame sources, such as lighted candles, should be placed on the apparatus.

- The mains plug/appliance coupler is used as the disconnect device, the disconnect device must remain readily operable.
- The rating label is pasted on the bottom or back of the equipment.

FCC Statement :

This device complies with Part 15 of the FCC Rules. Operation is subject to the following two conditions:

- 1) This device may not cause harmful interference, and 2) This device must accept any interference received, including interference that may cause undesired operation.

Note: This equipment has been tested and found to comply with the limits for a Class B digital device, pursuant to part 15 of the FCC Rules. These limits are designed to provide reasonable protection against harmful interference in a residential installation. This equipment generates, uses, and can radiate radio frequency energy and, if not installed and used in accordance with the instructions, may cause harmful interference to radio communication. However, there is no guarantee that interference will not occur in a particular installation. If this equipment does cause harmful interference to radio or television reception, which can be determined by turning the equipment off and on, the user is encouraged to try to correct the interference by one or more of the following measures:

- Reorient or relocate the receiving antenna.
 - Increase the separation between the equipment and receiver.
 - Connect the equipment into an outlet on a circuit different from that to which the receiver is connected.
 - Consult the dealer or an experienced radio/TV technician for help.
- Caution: Changes or modifications not expressly approved by the party responsible for compliance could void the user's authority to operate the equipment.
- To maintain compliance with the RF exposure guidelines, place the product at least 20cm from nearby persons.

IC-CANADA :

This device contains licence-exempt transmitter(s)/receiver(s) that comply with Innovation, Science and Economic Development Canada's licence-exempt RSS(s). Operation is subject to the following two conditions:

- (1) This device may not cause interference.
- (2) This device must accept any interference, including interference that may cause undesired operation of the device.

California Prop 65 Warning :

WARNING

This product contains chemicals, including lead, known to the State of California to cause cancer and birth defects or other reproductive harm. **Wash hands after handling.**

Disclaimer

- Toshiba shall not be responsible for any damage caused by an earthquake, thunderstorm, flood damage, fire for which Toshiba is not responsible, acts of a third party, other accidents, or damages caused by the user's willful acts or negligence, misuse, or use in abnormal conditions.
- Toshiba shall not be responsible for any damage caused by failure to observe the information described in the operation manual.

Disposal

- When disposing of this device, observe the laws, or ordinances and rules of the local government.
- When disposing of the battery, make a request to a recycle agency for disposal.

About using Bluetooth®

This unit is designed for use with Bluetooth® wireless devices compatible with the HFP, HSP, A2DP and AVRCP streaming audio profiles. Refer to your Bluetooth® device's user manual or technical support to determine if your Bluetooth® device supports these profiles.

Frequency band used

This unit uses the 2.4 GHz frequency band. However other wireless devices may use 2.4 GHz frequency band as well and may cause interference with each other. To avoid interference, please refrain from the use of the unit at the same time with other wireless devices.

Certification of this device

This unit conforms to frequency restrictions and has received certification based on frequency laws, so a wireless permit is not necessary.

- However, the following action is punishable by law in some countries:
- Taking apart/modifying the unit.

Usage restrictions

- Wireless transmission and/or use with all Bluetooth® equipped devices is not guaranteed.
- A device featuring the Bluetooth® function is required to conform to the Bluetooth® standard specified by Bluetooth SIG, and be authenticated. Even if the connected device conforms to the above mentioned Bluetooth® standard, some devices may not be connected or work correctly, depending on the features or specifications of the device.

Range of use

Use this device within an unobstructed 10 m range. The range of use or perimeter may be shortened depending on any obstructions, devices causing interference, other people in the room, or the construction of the building. Please note that the range mentioned above is not guaranteed.

The Bluetooth® word mark and logos are owned by the Bluetooth SIG, Inc. and are used under license.

Note

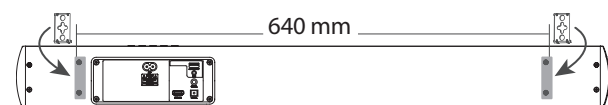
- This unit may receive radio interference caused by mobile telephones during use. If such interference occurs, please increase separation between this unit and the mobile telephone.

Placement and mounting

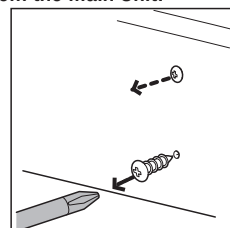
Wall mounting

Note

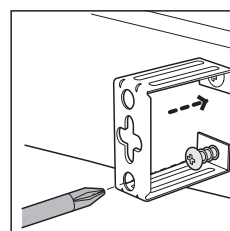
- Installation must be carried out by qualified personnel. Incorrect assembly can result in severe personal injury and property damage (if you intend to install this product yourself, you must check for installations such as electrical wiring and plumbing that may be buried inside the wall). It is the installer's responsibility to verify that the wall will safely support the total load of the Main Unit and wall brackets.
- Additional tools (not included) are required for the installation.
- Do not overtighten screws.
- Keep this operation manual for future reference.
- Use an electronic stud finder to check the wall type before drilling and mounting.



1. Remove the screws from the Main Unit.

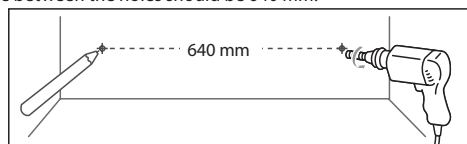


2. Attach the wall brackets to the Main Unit with the screws removed from the Main Unit.

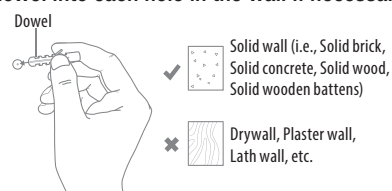


3. Drill 2 parallel holes (Ø 3 - 8 mm each according to wall type) in the wall.

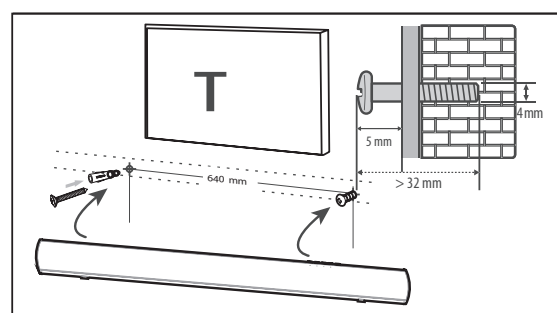
The distance between the holes should be 640 mm.



4. Firmly fix 1 dowel into each hole in the wall if necessary.



5. Leave a 5 mm gap between the wall and the screw's head. Lift the Main Unit with the attached wall brackets over the heads of the screws and slot into place.



Power Supply

When using AC power supply

1. Insert the supply plug of the attached power cord fully into AC Power Plug on the back.
2. Insert the power plug into an AC outlet.

Identifying the Parts

Terminal

AC~	AC Power Plug	Connect a power cord.
OPTICAL	OPTICAL socket	Connect a digital optical cable.
COAXIAL	COAXIAL socket	Connect a digital coaxial cable.
SERVICE ONLY	SERVICE ONLY socket	The USB socket is for service only. It is not listen to music and designed to charge smartphones, tablets or similar devices.
AUX	AUX socket	Connect an AUX cable.
HDMI ARC	HDMI socket	Connect a HDMI cable.

Buttons and indicators

LED indicators		Indicates the current mode. Indicator color: STANDBY : Red AUX : Green BT : Blue OPTICAL : Orange COAXIAL : Orange (flash) HDMI ARC : White
⏻	Power button	Switch the unit between ON and STANDBY mode.
⏸	Function button	Select the play function.
EQ	Equalizer button	Select a preset sound effect.
+/−	Volume + / − button	Increase/decrease the volume level.

Remote Control

⏻	Power button	Switch the unit between ON and STANDBY mode.
MUTE	Mute button	Mute or resume the sound.
AUX BT OPTICAL HDMI ARC COAXIAL	Function buttons	Select the play function.
VOL+ VOL−	Volume +/- button	Increase/decrease the volume level.
NEWS MOVIE MUSIC	EQ buttons	Select a preset sound effect.
▶II/PAIR	Play/Pause/Pairing button	Play/pause playback in Bluetooth mode. Press and hold to activate the pairing function in Bluetooth mode or disconnect the existing paired Bluetooth device.
⏮ ⏭	Fast forward/backward button	Skip to previous/next track in Bluetooth mode.

Information:

- Remove the protective tab to activate the remote control battery before use.
- Use a CR2025 lithium battery for the remote control. When replacing the battery, remove it and place a CR2025 lithium battery into the battery tray with correct polarity (+/-) as engraved on the remote control rear panel. There is a risk of injury due to fire, explosion or leakage if the battery is not replaced, used, handled or disposed of properly. Dispose of the used battery immediately as required by local regulations. Do not disassemble, charge, crush the battery or expose it to fire or high temperature.

Basic Operation

Turning on/off the power

Press Power button.

When the power is on, the standby indicator (red) will go off and one of the function indicators will light up.

When the power is off, the standby indicator (red) will light up.

Information:

• Auto power on

The unit turns on automatically under the following conditions:

- if you turn on the TV and its HDMI ARC port connected to the unit with a HDMI cable.
- if you start playing a music on the audio player connected to the unit with a 3.5mm to 3.5mm audio cable.

• Auto power off

The unit turns off automatically under the following conditions:

- if you turn off the TV connected to the unit with a HDMI cable.
- if no operation is done or no signal comes from the connected device for 15 minutes.

Adjusting the volume

Press Volume +/- button.

Press Mute button only for remote control.

Select a Mode

Press the Function button repeatedly on the unit or the AUX, HDMI ARC, OPTICAL, COAXIAL or BT(Bluetooth) button on the remote control to select the desired mode.

Select a Preset Sound Effect

While playing, press the EQ button on the unit or the NEWS, MOVIE or MUSIC button on the remote control to select the desired sound effect.

AUX / HDMI ARC / OPTICAL / COAXIAL Operation

1. Ensure that the unit is connected to the TV or audio device.

2. Press the Function button repeatedly on the unit or the AUX, HDMI ARC, COAXIAL or OPTICAL button on the remote control to select the desired mode.

Information:

- Operate your audio device directly for playback features.

Bluetooth® Operation

Pairing:

1. Press the Function button repeatedly on the unit or the BT button on the remote control to select Bluetooth mode. The Blue indicator will light flash.

2. The system has entered pairing mode. Press and hold the "▶II/PAIR" button on the remote control. The Blue indicator will flash rapidly and the unit has entered pairing mode.

3. Activate your Bluetooth® device and select the search mode. "TY-SBX1020" will appear on your Bluetooth device list.

4. Select "TY-SBX1020" in the pairing list. After the "Pairing sound" prompt, the unit is successfully connected and the Blue indicator will light up solidly.

Information:

- Enter "0000" for the password if necessary.

Playing Bluetooth® Music:

1. Pair your device with the player.

2. Play music via your device (by pressing the ▶II/PAIR, ⏮, or ⏭ button).

Specifications

Bluetooth® section

Bluetooth® spec.	Version 4.2
Wireless equipment Classification	Class 2
Supported profile	A2DP, AVRCP
Frequency range	2.402-2.480 GHz (2.4 GHz ISM Segment)
Service distance	Up to 10 m

General

Power Supply	AC100-240V ~ 50/60 Hz
Power Consumption	30 W
Power output	15 W x 2 + 30 W
Dimension	815 x 89 x 56 mm (W x H x D)
Weight	Approx. 2.3 Kg
Speaker	8Ω x 2 + 4Ω
Accessories	Power cord x 1, Remote control x 1, AUX cable x 1, Operation manual x 1

The specifications may be changed without prior notice to improve product performance. The images included in this guide may differ from the actual image and may change without notice.

TY-SBX1020

Barre de son

Manuel d'utilisation

5028300



Pr é cautions de s é curit é

Les informations dont vous avez besoin pour éviter tout risque de danger pour l'utilisateur ou les autres personnes, de même que tout dommage matériel sont données ci-dessous. La section « Descriptions des signes » montre les différentes catégories des degrés de danger ou de dommages qui peuvent se produire à la suite d'une mauvaise manipulation. La section « Description des symboles » montre la signification des symboles.

Remarques importantes

- Ce livre est seulement un guide d'utilisation pour l'utilisateur et ne constitue pas un critère pour la configuration.
- Utilisez uniquement les accessoires spécifiés par le fabricant.



L'éclair fléché dans le triangle est une mise en garde avertissant l'utilisateur d'un danger lié à la présence d'une « tension dangereuse » à l'intérieur de l'appareil.



Le point d'exclamation dans le triangle est une mise en garde avertissant l'utilisateur de la présence d'instructions importantes accompagnant cet appareil.



Mise en garde : pour réduire le risque de choc électrique, ne retirez pas le couvercle (ou le panneau arrière). Aucune pièce réparable par l'utilisateur à l'intérieur. Confiez les réparations à un technicien qualifié.

Description des signes



WARNING Indique qu'il y a un risque de mort ou de blessures sérieuses.



CAUTION Indique qu'il y a un risque de blessure légère ou de dommage matériel.

Description des symboles



Indique une « interdiction » ou « quelque chose que vous ne devriez pas faire » avec des images et un texte.



Indique les « actions obligatoires » ou « ce qu'il faut faire comme indiqué » avec des images et un texte.

Que faire en cas d'anomalie

WARNING

- Arrêtez immédiatement d'utiliser l'appareil dans le cas d'une anomalie ou d'un mauvais fonctionnement.



- Débranchez immédiatement le câble USB si un liquide ou un objet étranger entre à l'intérieur de l'appareil. Cela pourrait causer un incendie ou un choc électrique. Débranchez immédiatement le câble USB et contactez votre revendeur pour une réparation.

Utilisation

WARNING

Pour réduire le risque d'incendie, de choc électrique ou de dommages de l'appareil

- Ne démontez pas, ne réparez pas ni ne modifiez l'appareil. Référez-vous à un technicien qualifié.
- Ne marchez pas sur l'alimentation, sur la pile, sur l'appareil, ne les jetez pas ni ne les exposez pas à un choc important.
- Ne jetez pas l'appareil dans le feu. La pile pourrait exploser et entraîner une blessure ou la mort.



- N'installez pas cet appareil dans un espace confiné ou dans un espace intégré tel qu'une bibliothèque ou un meuble similaire, et gardez-le dans des conditions de ventilation correctes. La ventilation ne doit pas être gênée en couvrant les ouvertures de ventilation avec des objets tels que des journaux, des nappes, des rideaux, etc.
- N'exposez pas cet appareil à la pluie, à l'humidité, aux fuites d'eau ou à des éclaboussures.
- Ne placez pas d'objets remplis d'eau tels que des vases sur cet appareil.



- Placez l'appareil sur une surface plane à l'abri des rayons directs du soleil ou d'une chaleur excessive.
- Cet appareil ne doit pas être utilisé par un enfant. Gardez-le hors de la portée des enfants.

Pile

WARNING

NE PAS AVALER LA PILE, RISQUE DE BRÛLURE CHIMIQUE



- La télécommande fournie avec ce produit contient une pile-bouton. Si la pile-bouton est avalée, elle peut causer de graves brûlures internes en seulement 2 heures et entraîner la mort. Conservez les piles neuves et usées hors de la portée des enfants. Si le logement de la pile ne ferme pas correctement, arrêtez d'utiliser le produit et conservez-le hors de la portée des enfants. Si vous pensez qu'une pile a été avalée ou placée à l'intérieur d'une partie du corps, consultez immédiatement un médecin.



- Danger d'explosion si la pile est remplacée de façon incorrecte.
- Remplacez-la uniquement avec le même type de pile ou un type équivalent.
- La pile (piles ou bloc-piles) ne doit pas être exposée à des chaleurs excessives telles que les rayons du soleil, du feu, etc.

Instructions de sécurité importantes

- 1 Lisez ces instructions - Toutes les instructions de sécurité et de fonctionnement doivent être lues avant d'utiliser cet appareil.
- 2 Conservez ces instructions - Les instructions de sécurité de fonctionnement doivent être conservées à titre de référence.
- 3 Respectez tous les avertissements - Conformez-vous à tous les avertissements sur l'appareil ou dans les instructions de fonctionnement.
- 4 Suivez toutes les instructions - Toutes les instructions de fonctionnement et d'utilisation doivent être suivies.
- 5 N'utilisez pas cet appareil près de l'eau. - L'appareil ne doit pas être utilisé près de l'eau ou de l'humidité - par exemple dans un sous-sol humide, près d'une piscine, etc.
- 6 Nettoyez uniquement avec un chiffon sec.
- 7 Ne bouchez pas les ouvertures de ventilation. Installez selon les instructions du fabricant.
- 8 N'installez pas à proximité de sources de chaleur telles que des radiateurs, des accumulateurs de chaleur, des poêles, ou d'autres appareils (comprenant les amplificateurs) qui produisent de la chaleur.
- 9 N'ouvez pas les mesures de sécurité de la fiche polarisée ou avec mise à la terre. Une prise polarisée comporte deux fiches dont l'une plus large que l'autre. Une prise de terre contient 2 fiches normales et une troisième pour la terre. La fiche large ou la fiche de terre est pour votre sécurité. Lorsque la fiche fournie ne correspond pas à votre prise de courant, consultez un électricien pour le remplacement de la prise de courant.
- 10 Empêchez le cordon d'alimentation d'être piétiné ou pincé, en particulier au niveau des fiches, des prises de courant et des sorties des appareils.
- 11 Utilisez uniquement les accessoires spécifiés par le fabricant.
- 12 N'utilisez l'appareil qu'avec le chariot, le stand, le trépied, le support ou la table spécifié par le fabricant, ou vendu avec l'appareil. Lorsqu'un chariot ou un bâti est utilisé, faites attention lors du déplacement de la combinaison chariot/appareil pour éviter des blessures causées par un basculement.
- 13 Débranchez l'appareil pendant un orage ou quand il n'est pas utilisé pendant une longue durée.
- 14 Confiez toutes les réparations à un personnel qualifié. L'appareil doit être réparé s'il a été endommagé de tel façon que le cordon ou la fiche d'alimentation est endommagée, si un liquide a coulé ou un objet est tombé à l'intérieur, si l'appareil a été exposé à la pluie ou à l'humidité, s'il ne fonctionne pas normalement ou est tombé.
- 15 Cet équipement est un appareil électrique de classe II ou à double isolation. Il a été conçu de telle sorte qu'il ne nécessite pas de connexion de sécurité à la terre électrique.
- 16 L'appareil ne doit pas être exposé à l'égouttage ni aux éclaboussures. Aucun objet rempli de liquide, tel qu'un vase, ne doit être placé sur l'appareil.
- 17 Gardez un espace d'au moins 5 cm autour de l'appareil pour permettre une



ventilation suffisante.

- 18 La ventilation ne doit pas être gênée en couvrant les ouvertures de ventilation avec des objets tels que des journaux, des nappes, des rideaux, etc.
- 19 Aucune source à flamme nue, telle que des bougies allumées, ne doit être placée sur l'appareil.

- La fiche secteur/coupleur est utilisé comme dispositif de déconnexion de l'appareil, et l'appareil déconnecté doit être prêt à être utilisé.
- La plaque signalétique est collée au-dessous ou au dos de l'équipement.

Déclaration de la FCC :

Cet appareil est conforme à la partie 15 du règlement de la FCC. Le fonctionnement est sujet aux deux conditions suivantes :
 1) Cet appareil ne doit pas provoquer de brouillage préjudiciable et (2) cet appareil doit accepter tout brouillage reçu, y compris le brouillage susceptible de provoquer un fonctionnement indésirable.
 Remarque : cet équipement a été soumis à des essais et a été déclaré conforme aux limites stipulées pour un appareil numérique de classe B, conformément aux spécifications de la partie 15 du règlement de la FCC. Ces limites ont pour but d'assurer une protection raisonnable contre le brouillage nuisible dans une installation résidentielle. Cet équipement produit, utilise et peut émettre de l'énergie en radio fréquence et, s'il n'est pas installé et utilisé conformément aux directives, il peut causer un brouillage nuisible dans les communications radio. Cependant, il est impossible de garantir qu'aucun brouillage ne se produira dans une installation particulière. Si cet équipement cause un brouillage de la réception de radio ou de télévision, ce qu'il est possible de déterminer en éteignant puis en rallumant l'équipement, l'utilisateur est prié d'essayer de corriger le brouillage au moyen de l'une ou de plusieurs des mesures suivantes :
 • Réorienter ou déplacer l'antenne de réception.
 • Augmenter la distance séparant l'équipement du récepteur.
 • Brancher l'équipement dans une prise dont le circuit est différent de celui où est branché le récepteur.
 • Consulter le revendeur ou un technicien expérimenté de radio/télévision.
 Attention : Tout changement ou modification non expressément approuvés par la partie responsable de la conformité peut annuler l'autorité de l'utilisateur d'utiliser l'appareil.
 • Pour rester en conformité avec les consignes d'exposition aux RF, placez le produit à au moins 20 cm des personnes proches.

IC-CANADA :

L'émetteur/récepteur exempt de licence contenu dans le présent appareil est conforme aux CNR d'Innovation, Sciences et Développement économique Canada applicables aux appareils radio exempts de licence. L'exploitation est autorisée aux deux conditions suivantes :
 1) L'appareil ne doit pas produire de brouillage;
 2) L'appareil doit accepter tout brouillage radioélectrique subi, même si le brouillage est susceptible d'en compromettre le fonctionnement.

Avertissement California Prop 65 :

WARNING

Ce produit contient des produits chimiques, y compris du plomb, connus dans l'État de Californie pour causer un cancer des anomalies congénitales ou d'autres troubles de la reproduction. *Lavez-vous les mains après leur manipulation.*

Avis de non-responsabilité

- Toshiba ne peut être tenu responsable pour tout dommage causé par un tremblement de terre, un orage, des inondations ou un incendie pour lesquels Toshiba n'est pas responsable, pour toute action d'une tierce partie, d'autres accidents ou de dommages causés par des actions volontaires de l'utilisateur ou par une négligence, une mauvaise utilisation ou une utilisation dans des conditions anormales.
- Toshiba ne peut être tenu responsable pour tout dommage causé par le non respect des informations décrites dans le mode d'emploi.

Mise au rebut

- Lors de la mise au rebut de l'appareil, respectez les lois, les décrets et les règlements du gouvernement local.
- Lors de la mise au rebut de la batterie, faites une demande à l'agence de recyclage.

À propos de l'utilisation du Bluetooth®

Cet appareil est conçu pour être utilisé avec des appareils sans fil Bluetooth® compatibles avec les profils de flux audio HFP, HSP, A2DP et AVRCP. Reportez-vous au mode d'emploi de l'appareil Bluetooth® ou au service technique pour savoir si votre appareil Bluetooth® prend en charge ces profils.

Bande de fréquence utilisée

Cet appareil utilise la bande de fréquence 2,4 GHz. Cependant, il se peut que d'autres appareils sans fil utilisent également la bande de fréquences de 2,4 GHz et causent des interférences les uns avec les autres. Pour éviter toute interférence, veuillez ne pas utiliser l'appareil en même temps que d'autres appareils sans fil.

Certification de cet appareil

Cette appareil est conforme aux restrictions de fréquence et a reçu une certification sur la base des lois sur les fréquences, et par conséquent aucun permis pour la communication sans fil n'est nécessaire.

Cependant les actions suivantes sont punies par la loi dans certains pays :

- Démontez/modifiez l'appareil.

Restriction d'utilisation

- La transmission sans fil et/ou l'utilisation avec tous les appareils munis de Bluetooth® n'est pas garantie.
- L'appareil muni de la fonction Bluetooth® doit être conforme à la norme Bluetooth® spécifiée par Bluetooth SIG et être authentifié. Même si l'appareil connecté est conforme à la norme Bluetooth® mentionnée ci-dessus, certains appareils peuvent ne pas se connecter ou fonctionner correctement, en fonction des caractéristiques ou des spécifications de l'appareil.

Plage d'utilisation

Utilisez cet appareil dans un rayon de 10 m sans obstruction. La plage d'utilisation ou le périmètre peut être raccourci en fonction d'obstructions, d'appareils causant des interférences, d'autres personnes dans la pièce ou de la construction du bâtiment. Veuillez noter que la plage mentionnée ci-dessus n'est pas garantie.

La marque du mot et les logos Bluetooth® sont la propriété de Bluetooth SIG, Inc. et sont utilisés sous licence.

Remarque

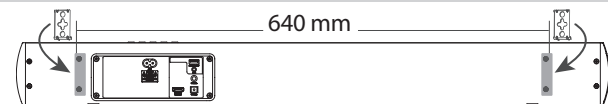
- Cet appareil peut recevoir des interférences radio causées par des téléphones portables pendant leur utilisation. Si une telle interférence se produit, éloignez cet appareil du téléphone portable.

Positionnement et montage

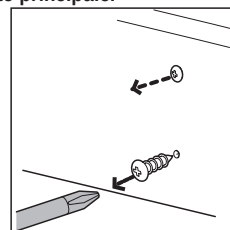
Montage mural

Remarque

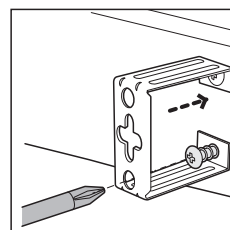
- L'installation doit être effectuée par du personnel qualifié. Un montage incorrect peut entraîner des blessures graves et des dommages matériels (si vous prévoyez d'installer ce produit vous-même, vous devez vérifier les installations telles que le câblage électrique et la plomberie qui peuvent être à l'intérieur du mur). Il incombe à l'installateur de vérifier que le mur supportera en toute sécurité la charge totale de l'unité principale et des supports muraux.
- Des outils supplémentaires (non inclus) sont requis pour l'installation.
- Ne pas trop serrer les vis.
- Conservez ce manuel d'utilisation pour référence ultérieure.
- Utilisez un détecteur électronique pour vérifier le type de paroi avant le forage et le montage.



1. Retirez les vis de l'unité principale.

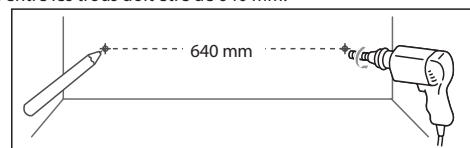


2. Fixez les supports muraux à l'unité principale avec les vis retirées de l'unité principale.

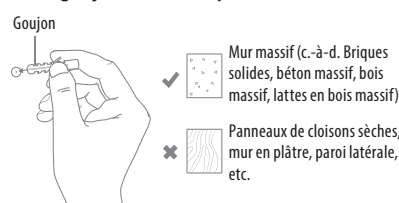


3. Percez 2 trous parallèles (de Ø 3 - 8 mm chacun selon le type de paroi) dans le mur.

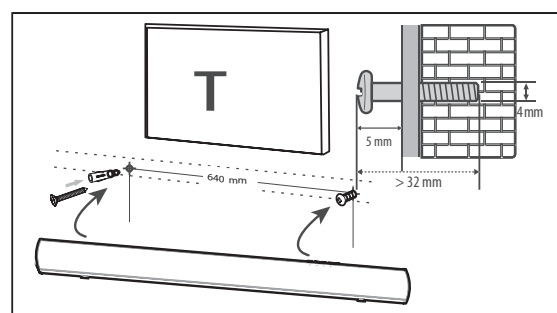
La distance entre les trous doit être de 640 mm.



4. Fixez fermement 1 goujon dans chaque trou du mur si nécessaire.



5. Laissez un espace de 5 mm entre le mur et la tête de la vis. Soulevez l'unité principale avec les supports muraux attachés sur les têtes des vis et mettez-la en place.



Alimentation électrique

Lorsque vous utilisez une alimentation électrique en CA

- Insérez complètement la fiche d'alimentation du cordon électrique fourni dans la prise d'alimentation CA située à l'arrière.
- Insérez la prise d'alimentation dans une prise secteur CA.

Identifier les parties

Terminal		
AC ~	Prise d'alimentation CA	Connectez un cordon électrique.
OPTICAL	Prise OPTIQUE	Connectez un câble optique numérique.
COAXIAL	Prise COAXIAL	Connectez un câble coaxial numérique.
ENTRETIEN UNIQUEMENT	Prise d'ENTRETIEN UNIQUEMENT	La prise USB est réservée uniquement à l'entretien. Elle n'est pas faite pour écouter de la musique et n'est pas conçue pour charger des smartphones, des tablettes ou des périphériques similaires.
AUX	Prise AUX	Connectez un câble AUX.
HDMI ARC	Prise HDMI	Connectez un câble HDMI.

Boutons et indicateurs

Indicateurs LED		Indique le mode actuel. Couleur de l'indicateur : STANDBY : Rouge AUX : vert BT : bleu OPTIQUE : orange COAXIAL : Orange (clignotant) HDMI ARC : Blanc
	Bouton d'alimentation	Basculez l'appareil entre les modes MARCHÉ et VEILLE.
	Bouton de fonction	Sélectionnez la fonction lecture.
	Bouton de l'égaliseur	Sélectionnez un effet sonore prédéfini.
	Bouton +/- du volume	Augmentez/diminuez le niveau du volume.

Télécommande

	Bouton d'alimentation	Basculez l'appareil entre les modes MARCHÉ et VEILLE.
	Bouton de sourdine	Mettre en sourdine ou rétablir le son.
	Boutons de fonction	Sélectionnez la fonction lecture.
	Bouton +/- du volume	Augmentez/diminuez le niveau du volume.
	Boutons EQ	Sélectionnez un effet sonore prédéfini.
	Bouton lecture/pause/appairage	Mettez en lecture/pause la diffusion en mode Bluetooth. Maintenez enfoncé pour activer la fonction d'appairage en mode Bluetooth ou déconnectez le périphérique Bluetooth appairé existant.
	Bouton avance/retour rapide	Passez à la piste précédente/suivante en mode Bluetooth.

Information :

- Retirez la languette de protection pour activer la pile de la télécommande avant utilisation.
- Utilisez une pile au lithium CR2025 pour la télécommande. Pour remplacer la pile, retirez-la et placez une pile au lithium CR2025 dans le boîtier de la pile en respectant les polarités (+/-) gravées sur le panneau arrière de la télécommande. Il y a un risque de blessure causée par un incendie, une explosion ou une fuite si la batterie n'est pas remplacée, utilisée, manipulée ou mise au rebut correctement. Mettez au rebut immédiatement la pile usagée, conformément à la réglementation locale. Ne démontez pas, ne chargez pas, ni n'écrasez la pile, et ne l'exposez pas au feu ou à une haute température.

Fonctionnement de base

Allumer/éteindre l'alimentation

Appuyez sur le bouton d'alimentation. Lorsque l'appareil est allumé, l'indicateur de veille (rouge) s'éteint et l'un des indicateurs de fonction s'allume.

Lorsque l'appareil est éteint, l'indicateur de veille (rouge) s'allume.

Information :

- Allumage automatique**
L'appareil s'allume automatiquement dans les conditions suivantes :
- si vous allumez le TÉLÉVISEUR avec son port HDMI ARC connecté à l'appareil avec un câble HDMI.
- si vous commencez à lire de la musique sur le lecteur audio connecté à l'appareil avec un câble audio de 3,5 mm à 3,5 mm.
- Arrêt automatique**
L'appareil s'éteint automatiquement dans les conditions suivantes :
- si vous éteignez le TÉLÉVISEUR connecté à l'appareil avec un câble HDMI.
- si aucune opération n'est effectuée ou si aucun signal ne provient du périphérique connecté pendant 15 minutes.

Ajuster le volume

Appuyez sur le bouton +/- du volume. Appuyez sur le bouton Mute uniquement pour la télécommande.

Sélectionner un mode

Appuyez plusieurs fois sur le bouton Fonction de l'appareil ou sur le bouton AUX, HDMI ARC, OPTICAL, COAXIAL ou BT (Bluetooth) de la télécommande pour sélectionner le mode souhaité.

Sélectionner un effet sonore prédéfini

Pendant la lecture, appuyez sur le bouton EQ de l'appareil ou sur le bouton NEWS, MOVIE ou MUSIC de la télécommande pour sélectionner l'effet sonore souhaité.

Fonctionnement AUX / HDMI ARC / OPTIQUE / COAXIAL

- Assurez-vous que l'appareil est connecté au TÉLÉVISEUR ou à un périphérique audio.
- Appuyez plusieurs fois sur le bouton Fonction de l'appareil ou sur le bouton AUX, HDMI ARC, COAXIAL ou OPTICAL de la télécommande pour sélectionner le mode souhaité.

Information :

- Utilisez votre périphérique audio directement pour les fonctions de lecture.

Fonctionnement Bluetooth®

Appairage :

- Appuyez plusieurs fois sur le bouton Fonction de l'appareil ou sur le bouton BT de la télécommande pour sélectionner le mode Bluetooth. L'indicateur bleu clignote.
- Le système est entré en mode appairage. Appuyez et maintenez enfoncé le bouton «▶II/PAIR» de la télécommande. L'indicateur bleu clignote rapidement et l'appareil est entré en mode appairage.
- Activez votre périphérique Bluetooth® et sélectionnez le mode recherche. «TY-SBX1020» apparaît sur votre liste de périphériques Bluetooth.
- Sélectionnez «TY-SBX1020» dans la liste d'appairage. Après l'invite «Appairage son», l'appareil est connecté avec succès et l'indicateur bleu s'allume fixement.

Information :

- Entrez «0000» pour le mot de passe si nécessaire.

Lecture de musique en Bluetooth® :

- Apparez votre périphérique avec le lecteur.
- Écoutez de la musique via votre périphérique (en appuyant sur le bouton ▶II / PAIR, I◀◀ ou ▶▶).

Caractéristiques

Section Bluetooth®

Caract. Bluetooth®	Version 4.2
Classification de l'équipement sans fil	Classe 2
Profil supporté	A2DP, AVRCP
Gamme de fréquences	2,402-2,480 GHz (segment ISM de 2,4 GHz)
Distance d'utilisation	Jusqu'à 10 m

Général

Alimentation électrique	AC100-240V ~ 50/60 Hz
Consommation d'énergie	30 W
Puissance de sortie	15 W x 2 + 30 W
Dimension	815 x 89 x 56 mm (L x H x P)
Poids	Environ 2,0 kg
Haut-parleur	8Ω x 2 + 4Ω
Accessoires	Cordon électrique x 1, Télécommande x 1, Câble AUX x 1, Manuel d'utilisation x 1

Les spécifications peuvent être modifiées sans préavis pour améliorer les performances du produit. Les images incluses dans ce guide peuvent différer de l'image réelle et peuvent changer sans préavis.