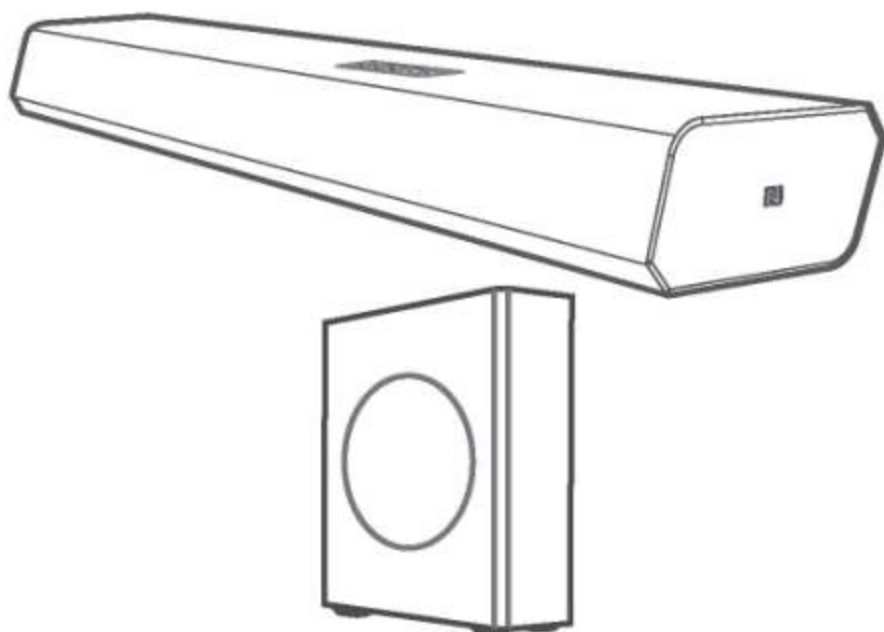

2.1 Soundbar

With Wireless Subwoofer



Owner's Manual

Read all of the instructions before using this soundbar and keep the manual in a safe place for future reference.

Contents

Important Safety Instructions	3
Safety.....	3
Caution.....	3
Warning.....	3
Do not ingest battery—chemical burn hazard.....	4
What's in the box	5
Identifying the parts	6
Main unit.....	6
Wireless Subwoofer.....	7
Remote control.....	7
Preparations	8
Prepare the remote control.....	8
Replace the remote control battery.....	8
Precautions concerning batteries.....	8
Connections	9
HDMI Socket.....	9
Use the OPTICAL Socket.....	9
Use the AUX Socket.....	10
Connect to Power.....	10
Pairing the Wireless Subwoofer with the main unit	11
Automatic pairing.....	11
Manual pairing.....	11
Basic Operation	11
Standby/ON.....	11
Select Modes.....	12
Adjust the Volume.....	12
Select a Preset Sound Effect.....	12
AUX/HDMI/OPTICAL Operation	12
Bluetooth® Operation	12
Pair Bluetooth®-enabled devices.....	12
NFC (Near Field Communication) Operation.....	13
Listen to music from Bluetooth® device.....	13
Troubleshooting	14
Specifications	14
Warranty	15

Important Safety Instructions

	CAUTION RISK OF ELECTRIC SHOCK DO NOT OPEN	
CAUTION: TO REDUCE THE RISK OF ELECTRIC SHOCK, DO NOT REMOVE COVER (OR BACK). NO USER-SERVICEABLE PARTS INSIDE. REFER SERVICING TO QUALIFIED SERVICE PERSONNEL.		



The lightning flash with arrowhead symbol, within an equilateral triangle, is intended to alert the user to the presence of uninsulated "dangerous voltage" within the product's enclosure that may be of sufficient magnitude as to constitute a risk of electric shock to persons.



The exclamation point within an equilateral triangle is intended to alert the user to the presence of important operating and maintenance (servicing) instructions in the literature accompanying the appliance.

Safety

1. **Read these instructions**—All the safety and operating instructions should be read before this product is operated.
2. **Keep these instructions**—The safety and operating instructions should be retained for future reference.
3. **Heed all warnings**—All warnings on the appliance and in the operating instructions should be adhered to.
4. **Follow all instructions**—All operating and usage instructions should be followed.
5. **Do not use this apparatus near water**—The appliance should not be used near water or moisture—for example, in a wet basement or near a swimming pool and the like.
6. Clean only with a dry cloth.
7. Do not block any ventilation openings. Install in accordance with the manufacturer's instructions.
8. Do not install near any heat sources such as radiators, heaters, stoves or other apparatus (including amplifiers) that produce heat.
9. Protect the power cord from being walked on or pinched, particularly at plugs, convenience receptacles and at the point where they exit from the apparatus.
10. Only use attachments/accessories specified by the manufacturer.
11. Use only with the cart, stand, tripod, bracket or table specified by the manufacturer or sold with the apparatus. When a cart or rack is used,

use caution when moving the cart/apparatus combination to avoid injury from tip-over.

12. Unplug the apparatus during lightning storms or when unused for long periods of time.
13. Refer all servicing to qualified personnel. Servicing is required when the apparatus has been damaged in any way, such as power supply cord or plug is damaged, liquid has been spilled or objects have fallen into the apparatus, the unit has been exposed to rain or moisture, does not operate normally or has been dropped.
14. This equipment is a Class II or double insulated electrical appliance. It has been designed in such a way that it does not require a safety connection to electrical earth.



Caution:

- Use of controls or adjustments or performance of procedures other than those described herein, may result in hazardous radiation exposure or other unsafe operation
- To reduce the risk of fire or electric shock, do not expose this apparatus to rain or moisture. The apparatus must not be exposed to dripping or splashing and objects filled with liquids, such as vases, must not be placed on apparatus
- Danger of explosion if battery is incorrectly replaced. Replace only with the same or equivalent type

Warning

- The battery (battery or batteries or battery pack) must not be exposed to excessive heat such as sunshine, fire or the like
- Before operating this system, check the voltage of this system to see if it is identical to the voltage of your local power supply
- Do not cover the ventilation openings with items such as newspaper, table-cloths, curtains etc. Ensure that there is at least 20cm of space above and at least 5cm of space on each side of the unit
- Do not place this unit close to strong magnetic fields
- Do not place this unit on the amplifier or receiver
- Do not place this unit close to damp areas as the moisture will affect the life of the laser head

- If any solid object or liquid falls into the system, unplug the system and have it checked by qualified personnel before operating it any further
- Do not attempt to clean the unit with chemical solvents as this may damage the finish. Use a clean, dry or slightly damp cloth
- When removing the power plug from the wall outlet, always pull directly on the plug, never yank on the cord
- No naked flame sources, such as lighted candles, should be placed on the apparatus
- Changes or modifications to this unit not expressly approved by the party responsible for compliance will void the user's authority to operate the equipment
- The apparatus shall not be exposed to dripping or splashing. No objects filled with liquids, such as vases, shall be placed on the apparatus
- Minimum distance around the apparatus for sufficient ventilation is 5cm
- The ventilation should not be impeded by covering the ventilation openings with items, such as newspapers, table-cloths, curtains, etc...
- Apply the product only in non-tropical climate
- Batteries should be recycled or disposed of as per state and local guidelines
- The rating label is pasted on the bottom or back of the equipment

WARNING

DO NOT INGEST BATTERY, CHEMICAL BURN HAZARD

The remote control supplied with this product contains a coin/button cell battery. If the coin/button cell battery is swallowed, it can cause severe internal burns in just 2 hours and lead to death. Keep new and used batteries away from children. If the battery compartment does not close securely, stop using the product and keep it away from children. If you think batteries might have been swallowed or placed inside any part of the body, seek immediate medical attention.

The appliance is not intended for use by young children or infirm persons without supervision. Young children should be supervised to ensure that they do not play with the appliance.



Manufactured under license from Dolby Laboratories. Dolby and the double-D symbol are trademarks of Dolby Laboratories.



The Bluetooth® word mark and logos are registered trademarks owned by Bluetooth® SIG, Inc. and any use of such marks by The Source (Bell) Electronics Inc. is under license. Other trademarks and trade names are those of their respective owners.

Other trademarks and trade names are those of their respective owners.

What's in the Box



Main Unit



Remote Control



Instruction Manual



3.5mm to 3.5mm Audio Cable



Sound Bar Power Cable



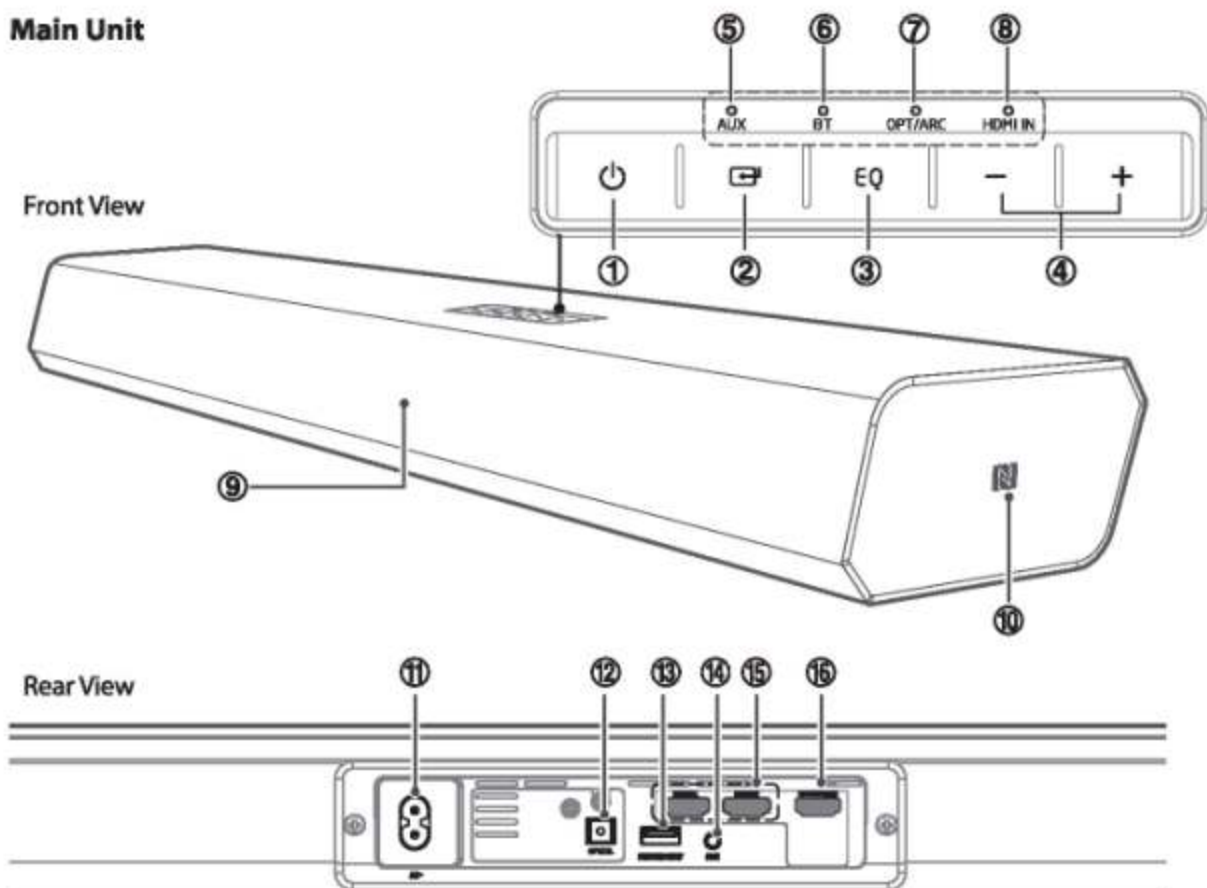
Subwoofer Power Cable



Wireless Subwoofer

Identifying the Parts

Main Unit




- 1. button**
Switch the unit between ON and Standby mode.
- 2. button**
Select the desired play mode.
- 3. EQ button**
Select the preset equaliser.
- 4. +/- buttons**
Increase/decrease the volume level.
- 5. AUX Indicator**
Light up in AUX mode.
- 6. Bluetooth® Indicator**
Light up in Bluetooth® mode.
- 7. OPTICAL/ARC Indicator**
Light up in Optical mode.
Flash in HDMI ARC mode.
- 8. HDMI IN Indicator**
Light up in HDMI IN 1 mode.
Flash in HDMI IN 2 mode.

- 9. Remote Control Sensor**
- 10. NFC Sensor area**
- 11. AC~Power Plug**
Connect a power cord.
- 12. OPTICAL Socket**
Optical input jack.
- 13. SERVICE ONLY Socket**
The USB socket is for service only.
It is not designed to charge smartphones, tablets or similar devices.
- 14. AUX Socket**
Connect to an external audio device.
- 15. HDMI IN Socket**
- 16. HDMI ARC Socket**

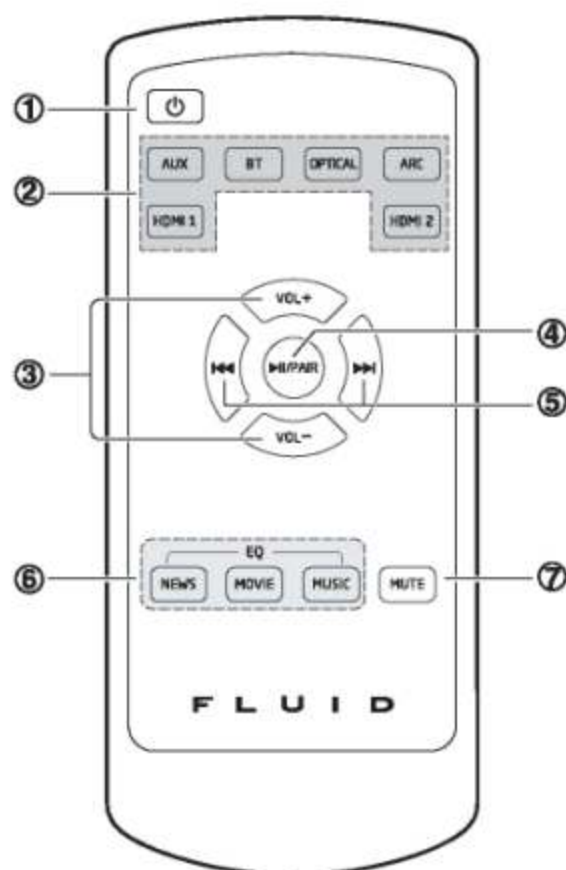
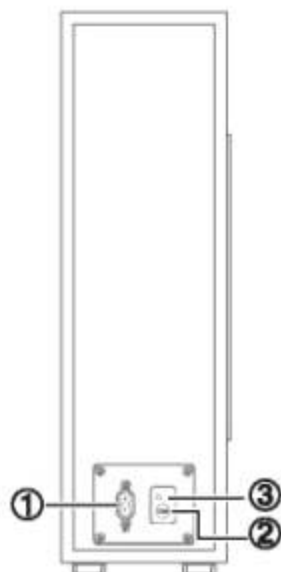
Wireless Subwoofer

- 1. AC~ Socket**
Connect to power.
- 2. PAIR button**
Connect to the main unit.
- 3. PAIR Indicator**
Light up solidly when the pairing succeed.

Remote Control

- 
Switch the unit between ON and STANDBY mode.
- 2. SOURCE buttons**
Select the desired play mode.
- 3. VOL+/VOL-**
Increase/decrease the volume level.
- 4. ►||/PAIR**
Play/pause/resume playback in Bluetooth® mode.

Press and hold to activate the pairing function in Bluetooth® mode and disconnect the existing paired Bluetooth® device.
- 5. ◀◀/▶▶**
Skip to previous/next track in Bluetooth mode.
- 6. EQ buttons**
Select a preset sound effect.
- 7. MUTE**
Mute or resume the sound.



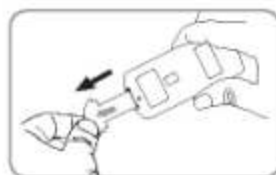
Preparations

Prepare the remote control

The provided remote control allows the unit to be operated from a distance

- Even if the remote control is operated within the effective range (6m), remote control operation may be impossible if there are any obstacles between the unit and the remote control
- If the remote control is operated near other products which generate infrared rays, or if other remote control devices using infrared rays are used near the unit, it may operate incorrectly. Conversely, the other products may operate incorrectly

First-time use:



The unit has a pre-installed lithium CR2025 battery. Remove the protective tab to activate the remote control battery.

Replace the Remote Control Battery



1. Loosen the screw with a screwdriver (not included) to open the battery compartment of the remote control.
2. Pull out the battery tray and remove the old battery.
3. Place a new CR2025 battery into the battery tray with correct polarity (+/-) as indicated.
4. Insert the battery tray back into the slot.
5. Tighten the screw with a screwdriver (not included).

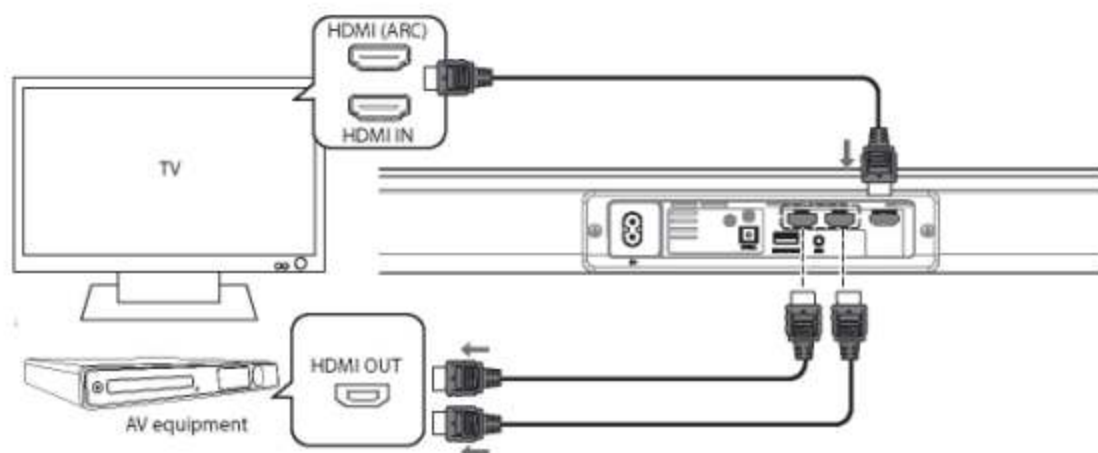
Precautions Concerning Batteries

- When the remote control is not to be used for a long time (more than a month), remove the battery from the remote control to prevent it from leaking
- If the batteries leak, wipe away the leakage inside the battery compartment and replace the batteries with new ones
- Do not use any batteries other than those specified
- Do not heat or disassemble batteries. Never throw them in fire or water
- Do not carry or store batteries with other metallic objects. Doing so could cause batteries to short circuit, leak or explode
- Never recharge a battery unless it is confirmed to be a rechargeable type

Connections

HDMI Socket

Using HDMI to connect the soundbar, AV equipment and TV:



Method 1: ARC (Audio Return Channel)

- The ARC (Audio Return Channel) function allows you to send audio from your ARC-compliant TV to your sound bar through a single HDMI connection. To enjoy the ARC function, please ensure your TV is both HDMI-CEC and ARC-compliant and set up accordingly. When correctly set up, you can use your TV remote control to adjust the volume output (VOL +/- and MUTE) of the sound bar.
- Connect the HDMI cable from unit's **HDMI OUT (ARC)** socket to the HDMI (ARC) socket on your ARC-compliant TV. Then press the remote control to select **HDMI ARC**.

Tips:

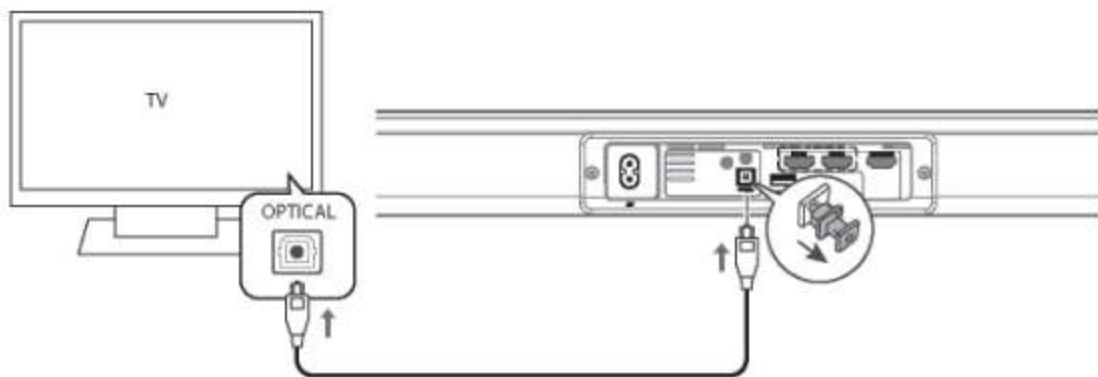
- Your TV must support the HDMI-CEC and ARC function. HDMI-CEC and ARC must be set to On
- The setting method of HDMI-CEC and ARC may differ depending on the TV. For details about ARC function, please refer to the owner's manual
- Only HDMI 1.4 cables can support the ARC function

Method 2: Standard HDMI

- If your TV is not HDMI ARC-compliant, connect your soundbar to the TV through a standard HDMI connection
1. Use an HDMI cable (not included) to connect the soundbar's HDMI OUT socket to the TV's HDMI IN socket.
 2. Use an HDMI cable (not included) to connect the soundbar's HDMI IN (1 or 2) socket to your external devices (e.g. gaming consoles, DVD players and Blu-ray).

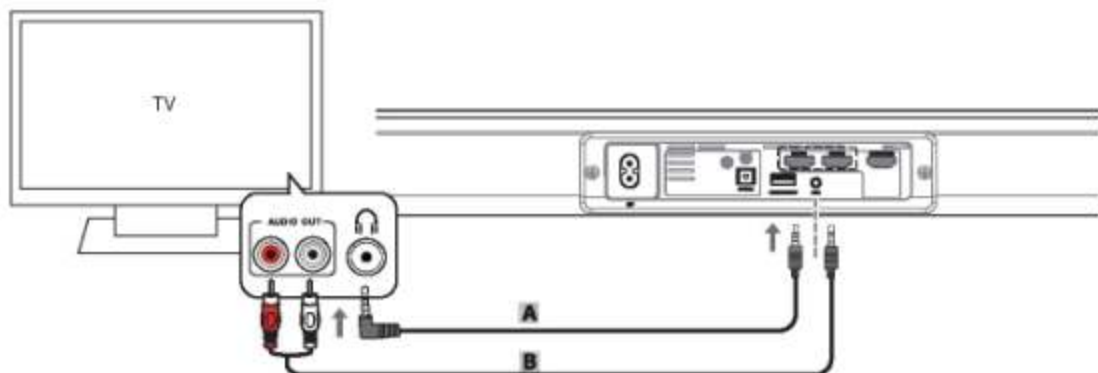
Use the OPTICAL Socket

- Remove the protective cap of the OPTICAL socket, then connect an OPTICAL cable (not included) to the TV's OPTICAL OUT socket and the OPTICAL socket on the unit



Use the AUX Socket

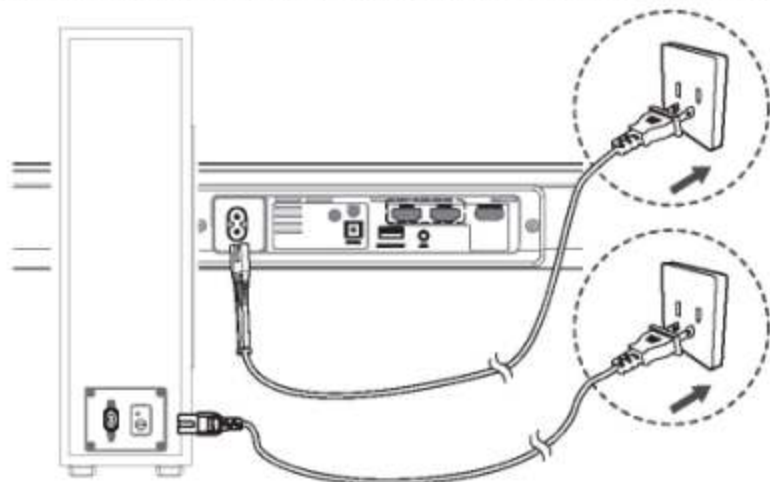
- a. Use a 3.5mm to 3.5mm audio cable (included) to connect the media player headphone socket to the **AUX** socket on the unit.



- b. Use a RCA to 3.5mm audio cable (not included) to connect the TV's audio output sockets to the **AUX** socket on the unit.

Connect to Power

- Before connecting the AC power cord, ensure you have completed all other connections
- Risk of product damage! Ensure that the power supply voltage corresponds to the voltage printed on the back or the underside of the unit
- Connect the main cable to the AC~ Socket of main unit and then into a main socket
- Connect the main cable to the AC~ Socket of Wireless Subwoofer and then into a main socket



- Ensure all connections are connected before connecting to the mains power socket

Pairing the Wireless Subwoofer with the Main Unit

Automatic pairing

The subwoofer and soundbar will automatically pair when both units are plugged into the mains sockets and turned on. No cable is needed for connecting the two units.

- When the subwoofer is pairing with the main unit, the pair indicator will flash fast
- When the subwoofer is paired with the main unit, the pair indicator will light up

NOTE:

- Do not press the **Pair** button on the rear of the subwoofer, except for manual pairing
- If the automatic pairing fails, pair the subwoofer with the main unit manually

Manual pairing

1. Ensure that all the cables are well connected and the main unit is in Standby mode.
2. Press and hold the **Pair** button on the rear of the subwoofer for a few seconds. The subwoofer will enter the pairing mode and the pair indicator will blink quickly.
3. Press the **⏻** button on the main unit or on the remote control to switch the main unit on.
4. After the wireless connection succeeded, the pair indicator will light up.
5. If the pair indicator blinks, the wireless connection has failed. Unplug the cable of the subwoofer and then reconnect the main cable after 3 minutes. Repeat step 1-4.

NOTE:

- If the wireless connection fails again, check if there is conflict or strong interference (for example, interference from an electronic device) around your location. Remove these conflicts or strong interferences and repeat the above procedures
- The subwoofer should be within 6m of the soundbar in an open area
- If a TV or an external device is connected, the main unit only AUX model and the subwoofer will switch on automatically when the TV or the external device is switched on
- If the main unit is not connected with the subwoofer and it is in On mode, the POWER Indicator will flash. Follow step 1-4 above to pair the subwoofer to the main unit

Basic Operation

Standby/ON

When you first connect the main unit to the wall outlet, the main unit will be in Standby mode.

- Press the **⏻** button on the unit or the **⏻** button on the remote control to switch the unit ON.
- Press the **⏻** button again on the remote control or on the unit to switch the unit back to STANDBY mode. The POWER indicator will light up red.
- Disconnect the main unit's plug from the wall outlet if you want to switch off the unit completely.
- If there is no signal, the unit will automatically switch off within 15 minutes.

Select Modes

Press the **SOURCE** button repeatedly on the unit or press the **AUX, HDMI ARC, HDMI 1, HDMI 2, OPTICAL** and **BT** (Bluetooth®) buttons on the remote control to select the desired mode.

Adjust the Volume

- Press the **VOL+/VOL-** buttons on the unit or on the remote control to adjust the volume
- If you wish to turn the sound off, press the **MUTE** button on the remote control. Press the **MUTE** button again or press the **VOL+/-** buttons on the unit or on the remote control to resume normal listening
- While adjusting the volume, the status indicator flashes quickly
- When the volume level reaches its maximum level, if you press the **VOL+** button again, the status indicator flashes once. While the volume level reaches its minimum level, if you press the **VOL-** button again, the status indicator flashes once

Select a Preset Sound Effect

While playing, press the **EQ** button on the unit or the **NEWS, MOVIE, MUSIC** buttons on the remote control to select between preset equalizers.

Aux/HDMI/ Optical Operation

1. Ensure that the unit is connected to the TV or audio device.
2. While in ON mode, press the **SOURCE** button repeatedly on the unit or press the **AUX, OPTICAL, HDMI 1, HDMI 2, ARC** buttons on the remote control to select the desired mode.
3. Operate your audio device directly for playback features.
4. Press the **VOL +/-** button to adjust the volume to your desired level.

Tip: While in OPTICAL/ARC/HDMI 1/HDMI 2 mode, if there is no sound coming out of the unit you may need to activate PCM or Dolby Digital Signal output on your source device (eg. TV, DVD or Blu-ray player).

Bluetooth® Operation

Pair Bluetooth®-enabled devices

The first time you connect your Bluetooth® device to this player, you need to pair your device to this player.

Note:

- The operational range between this player and a Bluetooth® device is approximately 8 meters (without any object between the Bluetooth® device and the unit)
 - Before you connect a Bluetooth® device to this unit, ensure you know the device's capabilities
 - Compatibility with all Bluetooth® devices is not guaranteed
 - Any obstacle between this unit and a Bluetooth® device can reduce the operational range
 - If the signal strength is weak, your Bluetooth® receiver may disconnect, but it will re-enter pairing mode automatically
1. While in ON mode, press the **SOURCE** button repeatedly on the unit or the **BT** (Bluetooth®) button on the remote control to select Bluetooth® mode. The blue indicator will flash slowly.

- The system has entered pairing mode.
 - Or press and hold the "▶||/PAIR" button on the remote control to be searchable. The blue indicator light will flash quickly
- Activate your Bluetooth® device and select the search mode. "Fluid 8052715" will appear on your Bluetooth® device list.
- Select "Fluid 8052715" in the pairing list. You will hear "pupu" and the blue indicator will stay solid while the pairing completes.
- Play music from the connected Bluetooth® device.

To disconnect the Bluetooth® function, you can :

- Switch to another function on the unit
- Disable the function from your Bluetooth® device
- Press and hold the "▶||/PAIR" button on the remote control

NFC (Near Field Communication) Operation

Pair your NFC-enabled mobile device directly with this unit by just a single tap.

- Activate NFC on your mobile device and press the SOURCE button repeatedly on the unit or press the BT button on the remote control to select Bluetooth® mode.
- Tap the mobile device on the **NFC Sensor area** of the unit.
- Operate your mobile device directly for playback features.
- To disconnect, tap the mobile device on the **NFC Sensor** area of the unit to disconnect or disable NFC from your mobile device.



Note: This NFC function only works with mobile devices that support NFC technology.

Tips:

- Enter "0000" for the password if necessary
- If no other Bluetooth® device pairs with this player within two minutes, the player will recover its previous connection
- The player will also be disconnected when your device is moved beyond the operational range
- If you want to reconnect your device to this player, place it within the operational range
- If the device is moved beyond the operational range, when it is brought back, please check if the device is still connected to the player
- If the connection is lost, follow the instructions above to pair your device to the player again

Listen to Music from Bluetooth® Device

- If the connected Bluetooth® device supports Advanced Audio Distribution Profile (A2DP), you can listen to the music stored on the device through the player
- If the device also supports Audio Video Remote Control Profile (AVRCP), you can use the player's remote control to play music stored on the device

1. Pair your device with the player.
2. Play music via your device (if it supports A2DP).
3. Use supplied remote control to control play (if it supports AVRCP).
 - To pause/resume play, press the ►||/PAIR button on the remote control
 - To skip to a track, press the I◀◀/▶▶I buttons on the remote control

Troubleshooting

To keep the warranty valid, never try to repair the system yourself. If you encounter problems when using this unit, check the following points before requesting service.

No power

- Ensure that the AC cord of the apparatus is properly connected
- Ensure that there is power at the AC outlet
- Press **STANDBY** button to turn the unit on

Remote control does not work

- Before you press any playback control button, first select the correct source
- Reduce the distance between the remote control and the unit
- Insert the battery with its polarities (+/-) aligned as indicated
- Replace the battery
- Aim the remote control directly at the sensor on the front of the unit

No response from the unit

- Disconnect and reconnect the AC power plug, then turn the unit on again

Can't find the name of this unit on my Bluetooth® device for Bluetooth® pairing

- Ensure the Bluetooth® function is activated on your Bluetooth® device
- Ensure you have paired the unit with your Bluetooth® device

Specifications

Soundbar

Power Supply	AC120V~ 60Hz
Output Power	30 W x 2
Power Consumption	30 W
Power consumption of standby mode.....	<0.5 W
Frequency Response	40Hz-20KHz
Impedance	8Ω x 2
Total harmonic distortion.....	1% (1kHz, 1W)
Audio input sensitivity.....	500mV
Dimension (W x H x D).....	872 x 60 x 113 mm

Subwoofer

Power Supply.....	AC 120V~ 60Hz
Output Power.....	60W
Power Consumption	30W
Power consumption of standby mode.....	<0.5 W
Frequency Response.....	40Hz-200Hz
Impedance.....	4Ω
Dimension (W x H x D).....	120 x 410 x 300 mm

Remote Control

Distance	6m
Angle	30°

*Design and specifications are subject to change without notice

IC Notice

This device complies with Canada Industry licence-exempt RSS standard(s). Operation is subject to the following two conditions: (1) this device may not cause interference. and (2) this device must accept any interference. Including interference that may cause undesired operation of the device.

IC Number: 255A-8052715

CAN ICES-3 (B) / NMB-3 (B)

FCC Notice:

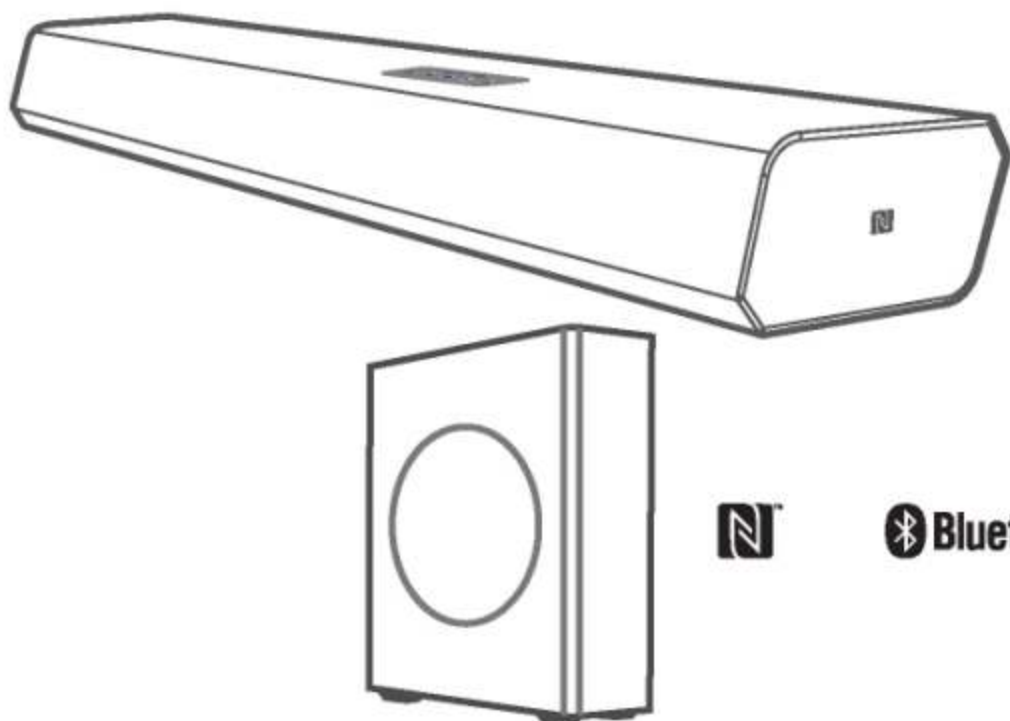
NOTE: This equipment has been tested and found to comply with the limits for a Class B digital device, pursuant to Part 15 of the FCC Rules. These limits are designed to provide reasonable protection against harmful interference in a residential installation. This equipment generates uses and can radiate radio frequency energy and, if not installed and used in accordance with the instructions, may cause harmful interference to radio communications. However, there is no guarantee that interference will not occur in a particular installation. If this equipment does cause harmful interference to radio or television reception, which can be determined by turning the equipment off and on, the user is encouraged to try to correct the interference by one or more of the following measures:

- Reorient or relocate the receiving antenna.
- Increase the separation between the equipment and receiver.
- Connect the equipment into an outlet on a circuit different from that to which the receiver is connected.
- Consult the dealer or an experienced radio/TV technician for help.

WARNING: Changes or modifications not expressly approved by the party responsible for compliance could void the user's authority to operate the equipment.

This equipment complied with FCC radiation exposure limits set forth for an uncontrolled environment. This equipment should be installed and operated with minimum distance 20cm between the radiator & your body.

Barre sonore 2,1 avec caisson d'extrêmes graves sans fil



Manuel d'utilisation

Veuillez lire toutes les instructions avant d'utiliser ce téléviseur, et conservez ce manuel de l'utilisateur en lieu sûr pour référence ultérieure.

Table des matières

Consignes de sécurité importantes	3
Sécurité.....	3
Avis.....	3
Mise en garde.....	3
Mise en garde : ne pas avaler les piles, danger de brûlures chimiques	4
Contenu de l'emballage	5
Identification des pièces	6
Unité principale.....	6
Caisson d'extrêmes graves sans fil.....	7
Télécommande	7
Préparations	8
Préparation de la télécommande	8
Remplacement de la pile de la télécommande	8
Précautions concernant les piles.....	8
Branchements	9
Prise HDMI	9
Utilisation de la prise OPTIQUE.....	9
Utilisation de la prise AUXILIAIRE.....	10
Branchement sur la source d'alimentation.....	10
Apparier le caisson d'extrêmes graves sans fil avec l'unité principale	11
Appariement automatique	11
Appariement manuel.....	11
Utilisation générale	12
Mise en veille/ON (Marche)	12
Sélection des modes	12
Réglage du volume.....	12
Sélection d'un effet sonore présélectionné.....	12
UTILISATION AUX/HDMI/OPTIQUE	12
Utilisation Bluetooth*	13
Branchement avec un appareil Bluetooth*	13
Utilisation de la fonction CCP (Communication en champ proche)	13
Ecouter la musique depuis un appareil Bluetooth*	14
Résolution des problèmes	14
Spécifications	15
Garantie	16

Consignes de sécurité importantes

	AVERTISSEMENT RISQUE DE CHOC ÉLECTRIQUE NE PAS OUVRIR	
MISE EN GARDE : POUR RÉDUIRE LE RISQUE DE CHOC ÉLECTRIQUE, NE PAS ENLEVER LE COUVERCLE OU LE DOS. AUCUNE PIÈCE RÉPARABLE PAR L'UTILISATEUR À L'INTÉRIEUR. CONFIEZ LE SERVICE À UNE PERSONNE QUALIFIÉE.		




Le symbole de l'éclair et d'une flèche à l'intérieur d'un triangle équilatéral signale à l'utilisateur, la présence d'une "tension dangereuse" non isolée à l'intérieur de l'appareil, pouvant être d'une magnitude suffisante pour provoquer un choc électrique.



Le point d'exclamation à l'intérieur d'un triangle équilatéral est un symbole d'avertissement vous alertant de la présence d'instructions importantes accompagnant le produit concernant l'utilisation et l'entretien de l'appareil.

Sécurité

- Lisez ces instructions** – Lisez toutes les instructions de sécurité et de fonctionnement avant de mettre l'appareil en marche.
- Conservez ces instructions** – Conservez les instructions de sécurité et de fonctionnement pour référence ultérieure.
- Respectez tous les avertissements** – Tenez compte de tous les avertissements inscrits sur l'appareil ainsi que dans le manuel d'instructions.
- Suivez toutes les instructions** – Suivez toutes les instructions de fonctionnement et d'utilisation.
- N'utilisez pas cet appareil près de l'eau** – par exemple, cet appareil ne doit pas être exposé à l'eau comme dans un sous-sol humide, à proximité d'une piscine, etc.
- Nettoyez uniquement avec un linge sec.
- Les fentes et ouvertures ne doivent jamais être bloquées, ni recouvertes. Toute installation de l'appareil doit respecter les instructions du fabricant.
- Ce produit doit être éloigné des sources de chaleur comme celles des radiateurs, des contrôleurs de chaleur, des cuisinières ou d'autres produits (incluant les amplificateurs) produisant de la chaleur.
- Les cordons d'alimentation doivent être orientés de façon à ne pas être piétinés, ou être coincés par des objets placés sur, ou contre eux. Portez une attention particulière aux cordons à fiche, aux prises de courant adéquates et aux points où les cordons sortent du produit.
- Utilisez uniquement des accessoires recommandés par le fabricant.
- Utilisez uniquement avec un chariot, un présentoir, un trépied, un support, ou une table recommandée par le fabricant, ou vendu avec le produit. La combinaison d'un appareil et d'un chariot doit être déplacée avec prudence.
- Pour plus de protection pendant un orage, ou lorsque le produit est inutilisé pour de longues périodes de temps, débranchez-le de la prise de courant.
- Confiez toute réparation au personnel qualifié. Une réparation est requise lorsque le cordon d'alimentation ou la fiche sont endommagés, si du liquide a été renversé sur le produit, ou si un objet est tombé à l'intérieur, si le produit a été exposé à la pluie ou à l'eau, si le produit ne fonctionne pas normalement, ou si le produit a été lâché des mains.
-  Cet équipement fait l'objet d'un équipement de Classe II ou dispose d'une isolation double, et n'exige pas de mise à la terre.

Avis :

- L'utilisation des commandes, des réglages, ou de procédure de tests autres que celles décrites dans ce manuel pourra entraîner un risque d'exposition dangereuse à des rayonnements, ou à un fonctionnement risqué.
- Afin de réduire les risques d'incendie, ou de choc électrique, n'exposez pas l'appareil à la pluie ou à l'humidité. Cet appareil ne doit pas être exposé à l'eau ou aux éclaboussures, et aucun objet rempli d'eau, tel qu'un vase, ne doit en aucun cas être placé sur l'appareil.
- La prise principale/le coupleur de l'appareil électrique jouera le rôle de disjoncteur. Le disjoncteur devra rester facilement utilisable en tout temps.
- Risque d'explosion si la pile est remplacée de façon incorrecte. Remplacez uniquement avec un type identique ou équivalent.

Mise en garde

- Les piles ne doivent pas être exposées à la chaleur extrême comme celle des rayons du soleil, du feu, etc.
- Avant de faire fonctionner ce système, vérifiez le voltage du système pour vous assurer qu'il soit identique à celui de votre source d'alimentation.
- Ne pas couvrir les aérations avec des produits tels que des journaux, un torchon, des rideaux, etc. Veillez à laisser au minimum 20 cm d'espace au-dessus, et 5 cm de chaque côté de l'unité.

- Ne pas installer l'unité à proximité de champs magnétiques élevés.
- Ne pas installer cette unité sur un amplificateur ou sur un récepteur.
- Ne pas installer cette unité à proximité de zones humides, car l'humidité pourra affecter la durée de vie utile de la tête laser.
- Si tout objet solide ou liquide pénètre à l'intérieur de l'unité, débranchez le système, et faites-le examiner par un service technique qualifié, avant de continuer à utiliser l'appareil.
- Ne pas essayer de nettoyer l'unité avec des solvants chimiques, qui risqueraient d'endommager le revêtement extérieur. Utilisez plutôt un chiffon propre sec, ou légèrement humide pour le nettoyage.
- Lorsque vous retirez la prise de la source d'alimentation principale, veillez à tirer sur la prise en plastique, et jamais sur le fil.
- Ne pas placer de flammes nues, telles que des bougies allumées sur l'unité.
- Les changements ou les modifications à cet appareil non expressément approuvés par le parti responsable de la conformité peuvent annuler le droit à l'utilisateur de faire fonctionner l'appareil.
- L'appareil ne doit pas être exposé à l'abri des gouttes ou des éclaboussures. Aucun objet contenant des liquides, tels que des vases, ne devra être placé sur l'appareil.
- L'espace minimum autour de l'appareil pour octroyer une ventilation suffisante est de 5 cm
- La ventilation ne devra pas être obstruée par un recouvrement des fentes de ventilation par des objets comme des journaux, des nappes, des rideaux, etc...
- Utilisez le produit uniquement dans des environnements de climats non tropicaux
- Les piles devront être recyclées ou éliminées en fonction des directives de votre région ou municipalité.
- L'étiquette de rendement énergétique est collé en-dessous, ou au dos de l'équipement.

MISE EN GARDE : NE PAS AVALER LES PILES, DANGER DE BRÛLURES CHIMIQUES

La télécommande livrée avec ce produit contient une pile bouton. Si la pile bouton est avalée, elle risquera d'occasionner des brûlures internes sévères en seulement 2 heures, pouvant même entraîner la mort. Veillez à toujours conserver les piles neuves et usagées hors de la portée des enfants. Si le couvercle du compartiment à piles ne se ferme pas correctement, cessez l'utilisation de l'appareil, et tenez-la éloignée des enfants. Si vous suspectez l'ingestion d'une pile, ou craignez qu'elle ait été introduite dans toute autre partie corporelle, faites immédiatement appel à un médecin.

Cet appareil n'est pas conçu pour être utilisé sans surveillance par de jeunes enfants ou personnes handicapées.

Les jeunes enfants devront être surveillés afin qu'ils ne jouent pas avec l'appareil.



Manufactured under license from Dolby Laboratories. Dolby and the double-D symbol are trademarks of Dolby Laboratories.



La marque et les logos Bluetooth® sont des marques déposées et sont la propriété de Bluetooth® SIG, Inc. et toute utilisation de ces marques par La Source (Bell) Électronique Inc. doit s'effectuer sous licence. Toutes autres marques et dénominations commerciales appartiennent à leurs propriétaires respectifs.

Toutes autres marques et dénominations commerciales appartiennent à leurs propriétaires respectifs.

Contenu de l'emballage



Unité principale



Télécommande



Manuel d'instructions



Câble audio 3,5 mm à 3,5 mm



Câble d'alimentation pour
barre sonore



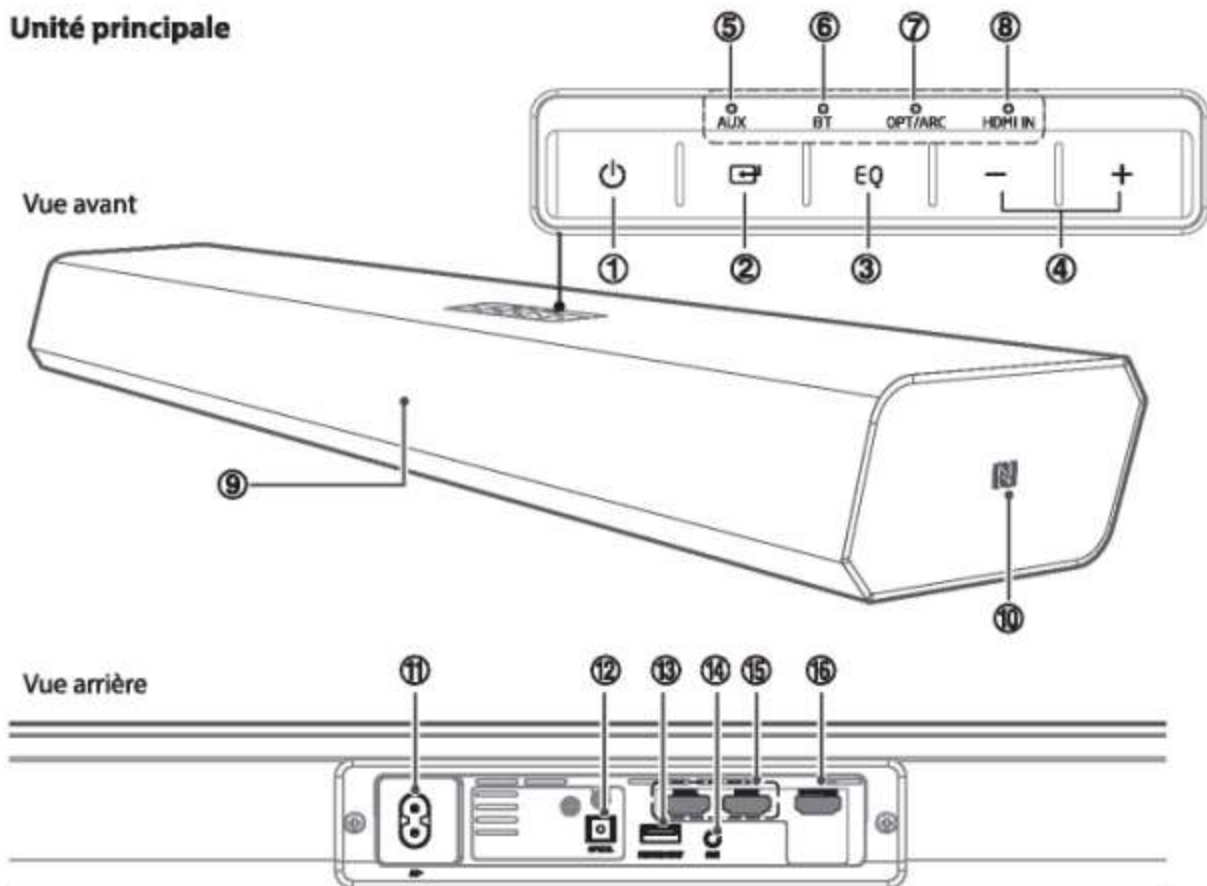
Câble d'alimentation pour
caisson d'extrêmes graves



Caisson d'extrêmes graves
sans fil

Identification des pièces

Unité principale



- 1 Bouton** Pour faire basculer l'unité entre les modes MARCHE et Veille.
- 2 Bouton** Sélectionner le mode de lecture souhaité.
- 3 Bouton EQ (Égaliseur)** Sélectionner l'égaliseur prédéfini.
- 4 Boutons +/-** Augmenter/diminuer le niveau du volume.
- 5 Témoin AUX** Il s'allume en mode AUX.
- 6 Témoin Bluetooth** Il s'allume en mode Bluetooth.
- 7 Témoin OPTIQUE/ARC** Il s'allume en mode Optique. Il clignote en mode HDMI ARC.
- 8 Témoin d'entrée HDMI IN** Il s'allume en mode HDMI IN 1. Il clignote en mode HDMI IN 2.

- 9 Capteur de la télécommande**
- 10 Zone du capteur CCP**
- 11 Prise d'alimentation ~ CA** Branchement d'un cordon d'alimentation.
- 12 Prise OPTIQUE** Prise d'entrée optique.
- 13 Prise de SERVICE SEULEMENT** La prise USB est réservée seulement au service. Elle n'est pas conçue pour charger les téléphones intelligents, les tablettes ou appareils similaires.
- 14 Prise AUX (Auxiliaire)** Prise standard d'entrée audio 3,5 mm.
- 15 Prise d'entrée HDMI IN**
- 16 Prise HDMI ARC**

Caisson d'extrêmes graves sans fil

1 Prise d'alimentation CA

Brancher sur la source d'alimentation

2 Bouton d'APPARIEMENT

Connexion avec l'unité principale.

3 Témoin d'APPARIEMENT

Éclairé de façon fixe une fois l'appariement réussi.

Télécommande

1

Pour faire basculer l'unité entre les modes MARCHÉ et Veille.

2 Boutons de SOURCE

Sélectionner le mode de lecture souhaité.

3 VOL+/VOL-

Augmenter/diminuer le niveau du volume.

4 /PAIR (Lecture pause/Appariement)

Démarrer ou effectuer une pause sur la lecture en mode Bluetooth.

Maintenir appuyé pour activer la fonction d'appariement avec le mode Bluetooth et déconnecter l'appareil Bluetooth apparié existant.

5

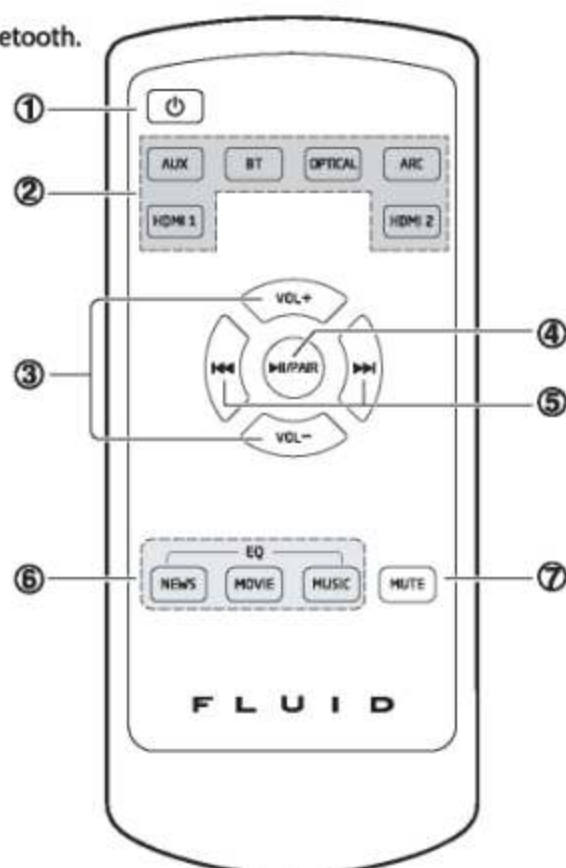
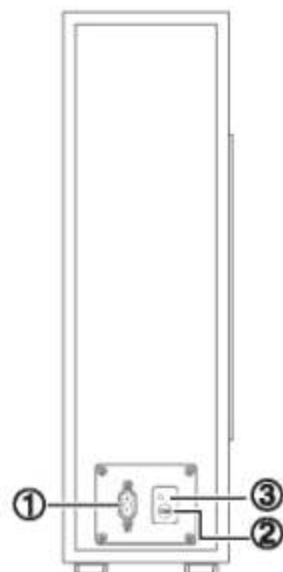
Sauter sur la piste précédente/suivante en mode Bluetooth.

6 Boutons EQ s

Sélectionner un effet sonore prédéfini.

7 SOURDINE

Activer la sourdine ou réactiver le son.



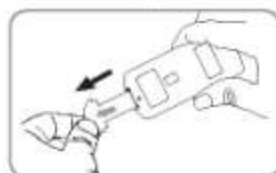
Préparations

Préparation de la télécommande

La télécommande incluse permet de faire fonctionner l'unité à distance.

- Même si la télécommande est utilisée dans la portée effective (6 m), l'utilisation de la télécommande pourra être impossible si des obstacles sont situés entre l'unité et la télécommande.
- Si la télécommande est utilisée à proximité d'autres appareils qui émettent des rayons à infrarouge, ou si d'autres télécommandes utilisant des rayons à infrarouge sont utilisées à proximité de l'unité, la télécommande pourra fonctionner de manière incorrecte. Inversement, les autres produits pourront fonctionner de manière incorrecte.

Lors de la première utilisation :



L'unité est dotée d'une pile préinstallée CR2025. Retirez la languette de protection pour activer la pile de la télécommande.

Remplacement de la pile de la télécommande



- 1 À l'aide d'un tournevis (non inclus), dévisser la vis pour ouvrir le compartiment de la pile sur la télécommande.
- 2 Tirer sur le tiroir de la pile, et retirer la pile usagée.
- 3 Installer une nouvelle pile CR2025 dans le tiroir de la pile en fonction de la polarité (+/-) indiquée.
- 4 Insérer à nouveau le tiroir de la pile dans la fente.
- 5 Resserrer la vis à l'aide du tournevis (non inclus)

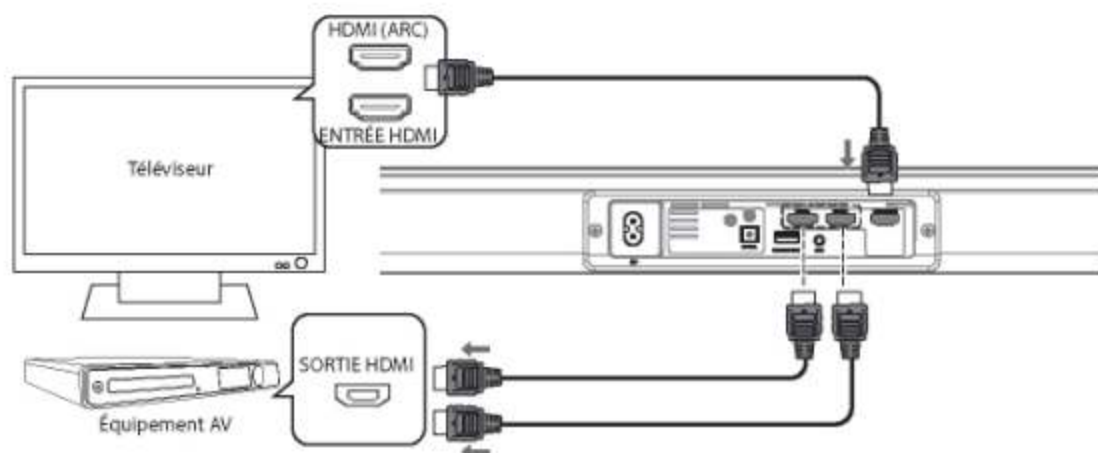
Précautions concernant les piles

- Lorsque la télécommande n'est pas utilisée pendant une période prolongée (plus d'un mois), retirez les piles de la télécommande pour éviter tout risque de fuite.
- Si les piles fuient, essayez la fuite dans le compartiment à pile, et remplacez les piles avec des neuves.
- Ne pas utiliser de piles d'un type autre que celui spécifié.
- Ne pas chauffer ou démonter les piles.
- Ne jamais jeter les piles au feu, ou dans l'eau.
- Ne pas transporter ou entreposer les piles avec d'autres objets métalliques, Ceci pourrait occasionner le court-circuit, la fuite ou l'explosion des piles.
- Ne jamais recharger une pile à moins que le type de pile rechargeable soit confirmé.

Branchements

Prise HDMI

Utilisation de la prise HDMI pour brancher la barre sonore, l'équipement AV (audio-vidéo) et le téléviseur.



Méthode 1: ARC (« Audio Return Channel » Canal de retour audio)

- La fonction ARC (Canal retour audio) vous permettra d'envoyer l'audio depuis votre téléviseur ARC vers votre barre sonore par l'entremise d'une connexion HDMI individuelle. Pour profiter de la fonction ARC, vérifiez que votre téléviseur soit compatible avec les fonctions HDMI-CEC et ARC et configuré en conséquence. Lorsque la configuration est réussie, vous pourrez utiliser la télécommande du téléviseur pour ajuster la sortie de volume (VOL +/- et MUTE (sourdine)) de la barre sonore.
- Branchez le câble HDMI depuis la prise **HDMI OUT (ARC)** sur l'unité à la prise HDMI (ARC) sur votre téléviseur ARC. Appuyez ensuite sur la télécommande pour sélectionner **HDMI ARC**.

Conseils :

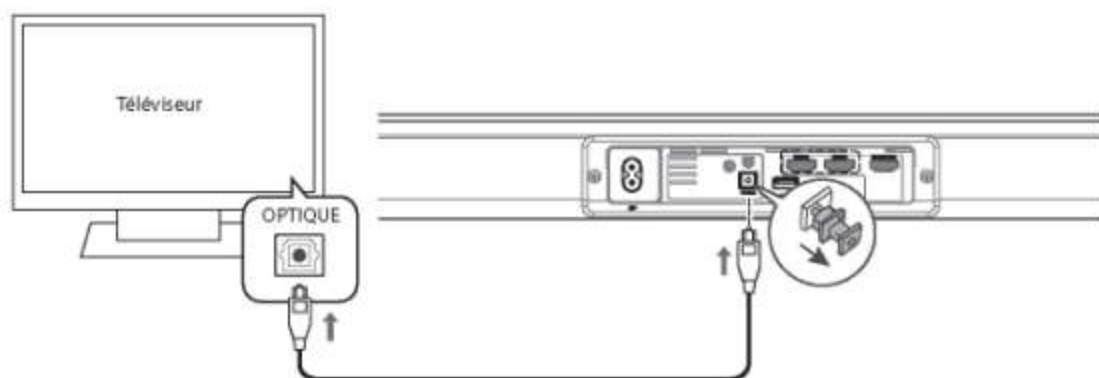
- Votre téléviseur doit soutenir les fonctions HDMI-CEC et ARC. HDMI-CEC et ARC doivent être configurées sur Marche.
- La méthode de configuration des fonctions HDMI-CEC et ARC pourra varier en fonction du téléviseur. Pour plus de détails concernant la fonction ARC, veuillez consulter le manuel de l'utilisateur.
- Seuls les câbles HDMI 1,4 soutiennent la fonction ARC

Méthode 2: HDMI standard

- Si votre téléviseur n'est pas adapté pour la fonction HDMI ARC, branchez votre barre sonore sur votre téléviseur en utilisant une connexion HDMI standard
1. Utilisez un câble HDMI (non inclus) pour brancher la prise de sortie HDMI de la barre sonore sur la prise d'entrée HDMI du téléviseur
 2. Utilisez un câble HDMI (non inclus) pour brancher la prise d'entrée HDMI de la barre sonore (1 ou 2) sur vos appareils externes (c. a. d. : consoles de jeux, lecteurs DVD et Blu ray).

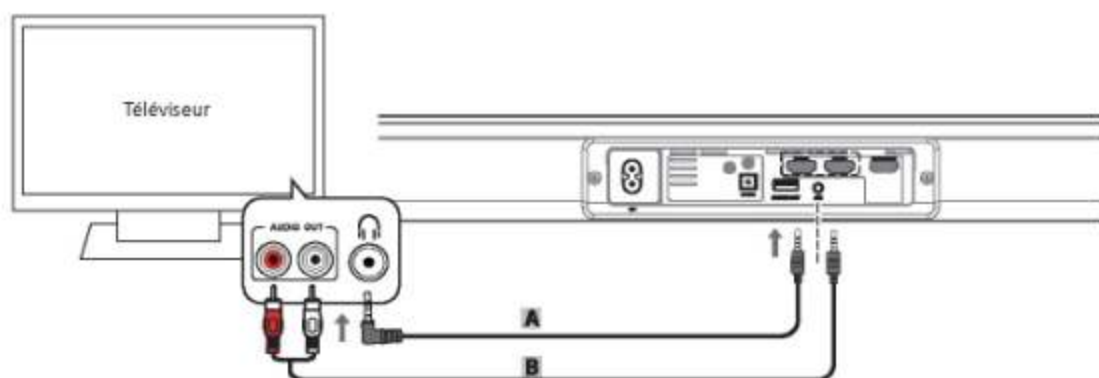
Utilisation de la prise OPTIQUE

- Retirez le capuchon protecteur de la prise OPTIQUE, puis branchez un câble OPTIQUE (non inclus) entre la prise de SORTIE OPTIQUE du téléviseur et la prise OPTICAL sur l'unité



Utilisation de la prise AUXILIAIRE

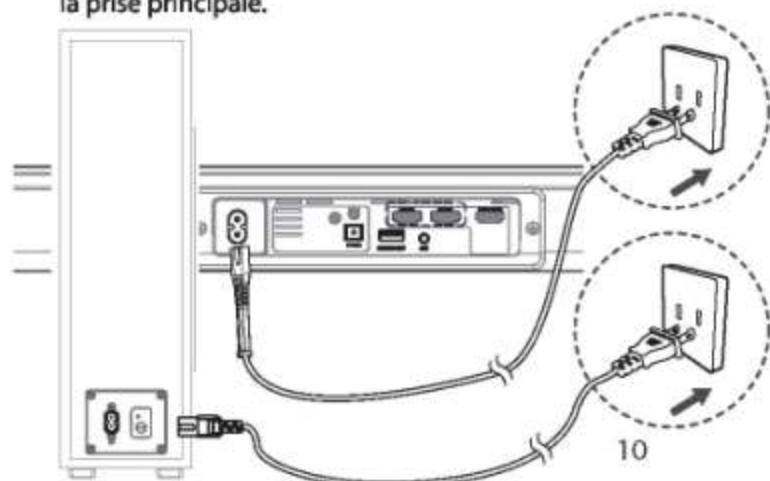
A Utilisez un câble audio 3,5 mm à 3,5 mm (inclus) pour brancher la prise pour casque d'écoute du lecteur média sur la prise **AUX** située sur l'unité.



B Utilisez un câble audio RCA à 3,5 mm (non inclus) pour brancher les prises de sortie audio du téléviseur à la prise **AUX** située sur l'unité

Branchement sur la source d'alimentation

- Avant de brancher le cordon d'alimentation CA, assurez-vous que toutes les autres connexions aient été effectuées.
- Risque d'endommagement du matériel! Vérifiez que le voltage de la source d'alimentation corresponde au voltage imprimé au dos, ou en dessous de l'unité.
- Branchez le câble principal sur la prise CA de l'unité, puis sur une prise de courant
- Branchez le câble principal à la prise de courant CA du caisson d'extrêmes graves sans fil, et ensuite sur la prise principale.



- Vérifiez que tous les branchements soient effectués avant d'effectuer la connexion sur la source d'alimentation principale.

Apparier le caisson d'extrêmes graves sans fil avec l'unité principale

Appariement automatique


Le caisson d'extrêmes graves et la barre sonore effectueront l'appariement automatique quand les deux unités seront branchées sur les prises principales et que les deux appareils seront placés sous tension. Aucun câble requis pour le branchement des deux unités.

- Lors de l'appariement du caisson d'extrêmes graves avec l'unité principale, le témoin d'appariement clignotera rapidement.
- Une fois que le caisson d'extrêmes graves est apparié avec l'unité principale, le témoin d'appariement s'allumera.

REMARQUE :

- Ne pas appuyer sur le bouton « **Pair** » (appariement) situé au dos du caisson d'extrêmes graves, excepté lors de l'appariement manuel.
- Si l'appariement automatique échoue, effectuez l'appariement manuel du caisson d'extrêmes graves avec l'unité principale.

Appariement manuel

1. Vérifiez que tous les câbles soient branchés correctement, et que l'unité principale soit en mode de Veille.
2. Maintenez appuyé pendant quelques secondes le bouton « **Pair** » d'appariement à l'arrière du caisson d'extrêmes graves. Le caisson d'extrêmes graves passera en mode d'appariement et le témoin d'appariement clignotera rapidement.
3. Appuyez sur le bouton  sur l'unité principale ou sur la télécommande pour placer l'unité principale sous tension.
4. Une fois la connexion sans fil établie, le témoin d'appariement s'allumera.
5. Si le témoin d'appariement clignote, la connexion sans fil aura échoué. Débranchez le câble du caisson d'extrêmes graves puis rebranchez le câble principal au bout de 3 minutes. Répétez les étapes 1 à 4.



REMARQUE :

- Si la connexion sans fil échoue à nouveau, vérifiez qu'il n'y ait pas de conflit ou forte interférence (par exemple, interférence avec un appareil électronique) autour du lieu où vous vous situez. Supprimez ces conflits ou fortes interférences et répétez le processus ci-dessus.
- Le caisson d'extrêmes graves devra se situer dans un rayon de 6 m de la barre sonore en zone ouverte.
- Si un téléviseur ou appareil externe est branché, seule l'unité principale de modèle AUX et le caisson d'extrêmes graves s'allumera automatiquement lorsque le téléviseur ou l'appareil externe sera placé sous tension.
- Si l'unité principale n'est pas branchée avec le caisson d'extrêmes graves et est positionnée sur le mode Marche, le témoin de PUISSANCE clignotera. Suivez les étapes 1 à 4 ci-dessus pour appairer le caisson d'extrêmes graves avec l'unité principale.

Utilisation générale

Mise en veille/ON (Marche)

Lorsque vous branchez l'unité principale à la source d'alimentation pour la première fois, l'unité principale sera en mode de veille.

- Appuyez sur le bouton  sur l'unité, ou sur la télécommande pour la mise en marche de l'unité.
- Appuyez à nouveau sur le bouton  sur l'unité, ou sur la télécommande pour remettre l'unité en mode de veille. Le témoin de PUISSANCE s'allumera en rouge.
- Débranchez la prise de l'unité principale de la prise murale si vous souhaitez éteindre complètement l'unité.
- S'il n'y a aucun signal sous 15 minutes, l'unité s'éteindra automatiquement.

Sélection des modes

Appuyez de façon répétitive sur le bouton **SOURCE** sur l'unité, ou appuyez sur les boutons AUX, OPTIQUE, BT, ARC, HDMI 1, HDMI 2 sur la télécommande pour sélectionner le mode souhaité.

Réglage du volume

- Appuyez sur les boutons **VOL+/VOL-** sur l'unité ou sur la télécommande pour ajuster le volume.
- Si vous souhaitez désactiver le son, appuyez sur le bouton **MUTE (sourdine)** sur la télécommande. Appuyez à nouveau sur le bouton **MUTE (sourdine)** ou appuyez sur les boutons **VOL+/-** sur l'unité ou sur la télécommande pour reprendre l'écoute normale.
- Lors du réglage du volume, le témoin du statut clignotera rapidement.
- Lorsque le volume atteint son niveau maximal, si vous appuyez une nouvelle fois sur le bouton **VOL+**, le témoin du statut clignotera une fois. Lorsque le volume atteint son niveau minimum, si vous appuyez une nouvelle fois sur le bouton **VOL-**, le témoin indicateur du statut clignotera une fois.

Sélection d'un effet sonore prédéfini

Durant la lecture, appuyez sur le bouton **EQ** sur l'unité ou sur les boutons NEWS (Actualités), MOVIE (Film), MUSIC (Musique) sur la télécommande pour choisir entre les égaliseurs prédéfinis.

Utilisation Aux/HDMI/ Optique

- 1 Vérifiez que l'unité soit branchée avec le téléviseur ou l'appareil audio.
- 2 Avec le mode MARCHE activé, appuyez de façon répétitive sur le bouton **SOURCE** sur l'unité ou appuyez sur les boutons AUX, OPTIQUE, HDMI 1, HDMI 2, ARC sur la télécommande pour sélectionner le mode souhaité.
- 3 Utilisez directement votre appareil audio pour les spécifications de lecture.
- 4 Appuyez sur le bouton **VOL +/-** pour régler le volume selon le niveau souhaité.

Conseil : Lorsque vous utilisez le mode OPTIQUE/ARC/HDMI 1/HDMI 2, si aucun son n'est émis de la part de l'unité, vous devrez peut-être activer la fonction PCM ou la sortie de signal Dolby numérique sur votre appareil utilisé en tant que source (c. à d. : Téléviseur, lecteur DVD, ou Blu-ray).

Utilisation Bluetooth®

Branchement avec un appareil Bluetooth®

La première fois que vous brancherez un appareil Bluetooth avec ce lecteur, vous devrez appairier votre appareil à ce lecteur.

Remarque :

- La portée de fonctionnement entre ce lecteur et un dispositif Bluetooth est environ de 8 mètres (sans objet entre le dispositif Bluetooth et l'unité).
- Avant de connecter un dispositif Bluetooth avec cette unité, vérifiez les capacités du dispositif.
- La compatibilité avec tous les dispositifs Bluetooth n'est pas garantie.
- Tout obstacle situé entre cette unité et un appareil Bluetooth pourra réduire la portée de fonctionnement.
- Si la force de signal est faible, votre récepteur Bluetooth pourra se déconnecter, mais retournera en mode de coulage automatiquement.

1 Avec le mode MARCHÉ activé, appuyez de façon répétitive sur le bouton **SOURCE** sur l'unité ou sur le bouton **BT** sur la télécommande pour sélectionner le mode Bluetooth. Le témoin bleu clignotera lentement.

2 Le système sera alors en mode d'appariement.

- Ou maintenez appuyé le bouton « ►II/PAIR » sur la télécommande pour devenir accessible. Le témoin bleu clignotera rapidement.

3 Activez votre appareil Bluetooth et sélectionnez le mode de recherche. « **Fluid 8052715** » apparaîtra dans la liste de votre appareil Bluetooth.

4 Sélectionnez « **Fluid 8052715** » dans la liste d'appariement. Vous entendrez « **pupu** » et le témoin bleu sera fixe jusqu'à ce que le processus d'appariement soit exécuté.

5 Vous pourrez alors effectuer la lecture de la musique depuis votre appareil Bluetooth® connecté.

Pour déconnecter la fonction Bluetooth, vous pouvez :

- -Basculez sur une autre fonction sur l'unité.
- Désactivez la fonction depuis votre appareil Bluetooth.
- Maintenez appuyé le bouton « ►II/PAIR » sur la télécommande.

Utilisation de la fonction CCP (Communication en champ proche)

Effectuez l'appariement de votre appareil CCP directement avec cette unité avec un simple toucher.

1. Activez la fonction CCP sur votre appareil mobile et appuyez plusieurs fois sur le bouton **SOURCE** sur l'unité ou appuyez sur le bouton **BT** sur la télécommande pour sélectionner le mode Bluetooth®

2. Touchez la **zone du capteur CCP** sur l'unité avec l'appareil mobile.

3. Utilisez directement votre appareil mobile pour les spécifications de lecture.

4. Pour vous déconnecter, touchez la **zone du capteur CCP** sur l'unité avec l'appareil mobile ou désactivez la fonction CCP depuis votre appareil mobile.



Remarque : Cette fonction CCP fonctionne uniquement avec les appareils mobiles qui soutiennent la technologie CCP.

Conseils :

- Si requis, insérez le mot de passe « 0000 ».
- Si aucun autre dispositif Bluetooth n'établit de connexion avec ce lecteur dans les deux minutes, le lecteur retrouvera sa connexion précédente.
- Le lecteur sera automatiquement déconnecté si vous déplacez le dispositif hors de portée.
- Si vous souhaitez rétablir la connexion de ce dispositif avec le lecteur, vous devrez le replacer à portée.
- Si le dispositif est déplacé hors de portée, lorsqu'il sera à nouveau dans la zone de portée, vérifiez qu'il soit toujours connecté avec le lecteur.
- Si la connexion est perdue, suivez les instructions ci-dessus pour effectuer à nouveau le couplage de ce dispositif avec l'unité.

Écouter la musique depuis un appareil Bluetooth

- Si le dispositif Bluetooth connecté supporte les propriétés A2DP (profils de distribution audio avancés), vous serez en mesure d'écouter la musique entreposée sur le lecteur.
 - Si le dispositif supporte également les propriétés AVRCP (profils de contrôle vidéo/audio à distance), vous pourrez utiliser la télécommande du lecteur pour lire la lecture entreposée sur le lecteur.
1. Couplez votre dispositif avec le lecteur.
 2. Effectuez la lecture de la musique par l'entremise du dispositif (s'il supporte les propriétés A2DP).
 3. Utilisez la télécommande fournie pour contrôler la lecture (s'il supporte les propriétés AVRCP).
 - Pour effectuer une pause de la lecture, ou reprendre la lecture, appuyez sur le bouton ►/PAIR sur la télécommande.
 - Pour sauter une piste, appuyez sur ◀◀/▶▶ sur la télécommande.

Résolution des problèmes

Pour préserver la garantie, n'essayez jamais de réparer l'unité vous-même. Si vous constatez des problèmes avec cette unité, consultez les solutions suivantes avant de faire appel à un service de réparations.

Pas de puissance

- Vérifiez que le cordon d'alimentation CA de l'appareil soit branché correctement.
- Vérifiez que la prise de courant soit alimentée.
- Appuyez sur le bouton de mise en veille pour placer l'unité sous tension.

La télécommande ne fonctionne pas

- Avant d'appuyer sur n'importe quel bouton de lecture, sélectionnez en premier la source adéquate.
- Réduisez la distance entre la télécommande et l'unité.
- Insérez la pile en respectant la polarité indiquée (+/-).
- Remplacez la pile.
- Orientez la télécommande directement vers le capteur à l'avant de l'unité.

Pas de réponse de la part de l'unité

- Débranchez puis rebranchez la prise d'alimentation CA, puis placez à nouveau l'unité sous tension.

Je n'arrive pas à trouver le nom Bluetooth de cette unité sur le dispositif Bluetooth pour effectuer le couplage Bluetooth

- Vérifiez que la fonction Bluetooth soit activée sur votre dispositif Bluetooth.
- Vérifiez d'avoir effectué l'appariement de l'unité avec votre appareil Bluetooth®.

Spécifications

Barre sonore

Source d'alimentation.....	CA 120 V~ 60 Hz
Puissance de sortie.....	2 x 30 W
Consommation électrique.....	30 W
Consommation électrique en mode de veille.....	< 0,5 W
Réponse de fréquence.....	40 Hz - 20 KHz
Impédance	2x 8 Ω
Distorsion harmonique totale.....	1% (1 kHz, 1 W)
Sensibilité de l'entrée audio.....	500 mV
Dimensions (L x H x P).....	872 x 60 x 113 mm

Caisson d'extrêmes graves

Source d'alimentation.....	CA 120 V~ 60Hz
Puissance de sortie.....	60 W
Consommation électrique.....	30W
Consommation électrique en mode de veille.....	< 0,5 W
Réponse de fréquence.....	40 Hz - 200 Hz
Impédance.....	4 Ω
Dimensions (L x H x P).....	120 x 410 x 300 mm

Télécommande

Portée	6 m
Angle	30°

- La conception et les spécifications peuvent être modifiées sans préavis

Avis d'Industrie Canada

Cet appareil est conforme à la norme CNR exempt de licence d'Industrie Canada. Son fonctionnement est soumis aux deux conditions suivantes : (1) l'appareil ne doit pas causer d'interférence et (2) l'appareil doit accepter toute interférence, y compris l'interférence qui peut causer le mauvais fonctionnement de l'appareil.

Numéro IC: 255A-8052715

CAN ICES-3 (B) / NMB-3 (B)

GARANTIE - LA SOURCE



La Source garantit que ce produit sera exempt de défauts de matériaux et de fabrication pour une période de (1) un an à compter de la date d'achat. Durant cette période, veuillez simplement retourner le produit ainsi que votre preuve d'achat dans tout magasin La Source, ou détaillant participant, et le produit sera échangé (dans les magasins où il sera disponible) sans frais. Tout produit qui aura été soumis à une mauvaise utilisation, ou à des dommages accidentels sera exclu de la présente garantie.

Cette garantie ne s'applique qu'à un produit acheté dans un magasin La Source ou détaillant participant au Canada où la garantie est incluse avec le produit. Alors que cette garantie ne confère aucun droit légal autre que ceux mentionnés ci-dessus, vous pouvez avoir recours à des droits statutaires supplémentaires qui pourront varier selon les lois de divers pays, états, provinces et autres entités gouvernementales dans lesquelles La Source est active. Cette garantie est soumise à tous les droits statutaires auxquels vous pouvez avoir recours au Canada.

Importé par :
La Source,
Barrie, Ontario, Canada, L4M 4W5

Fabriqué en Chine

Pour le service à la clientèle, veuillez visiter
www.lasource.ca



Veuillez recycler

© 2016 La Source
Tous droits réservés.