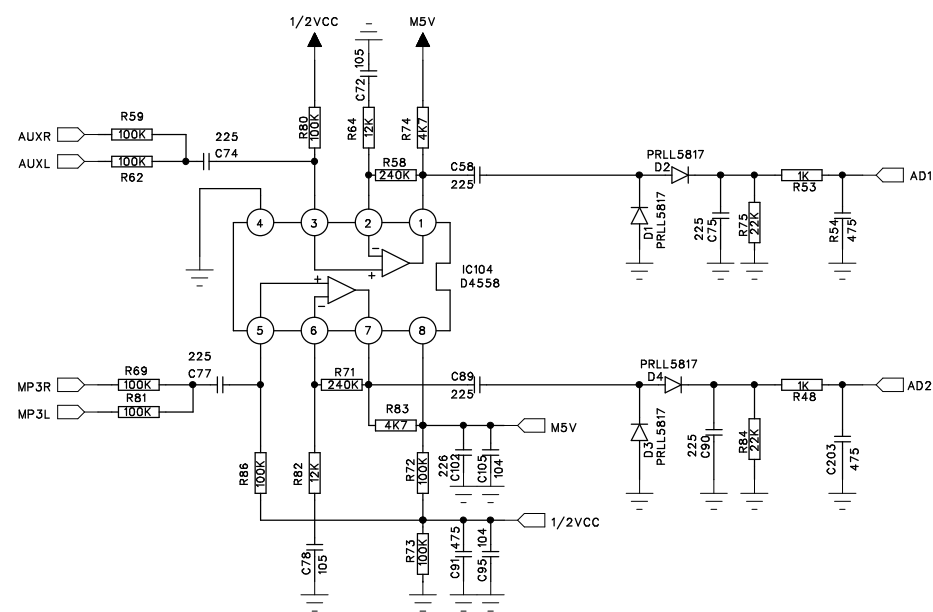
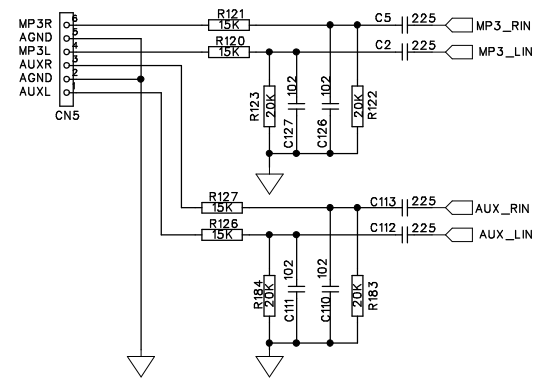
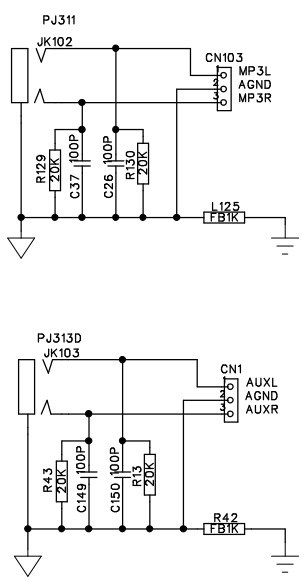
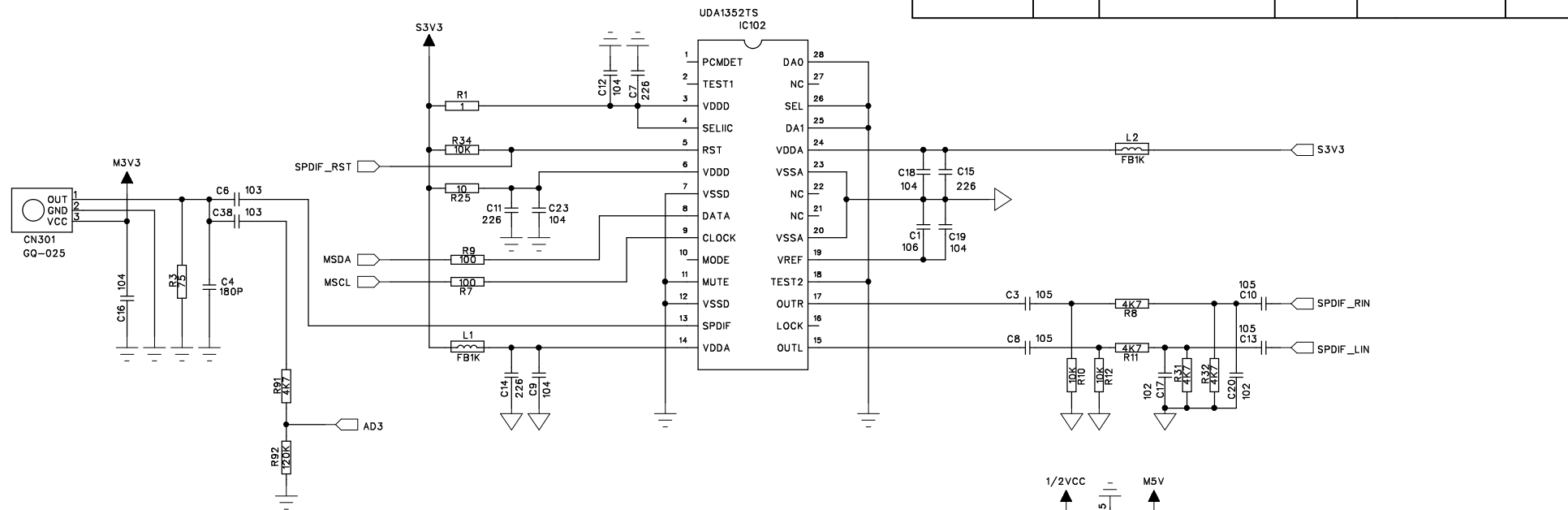


Remark : This released drawing was produced by computer
Do not update by hand work.

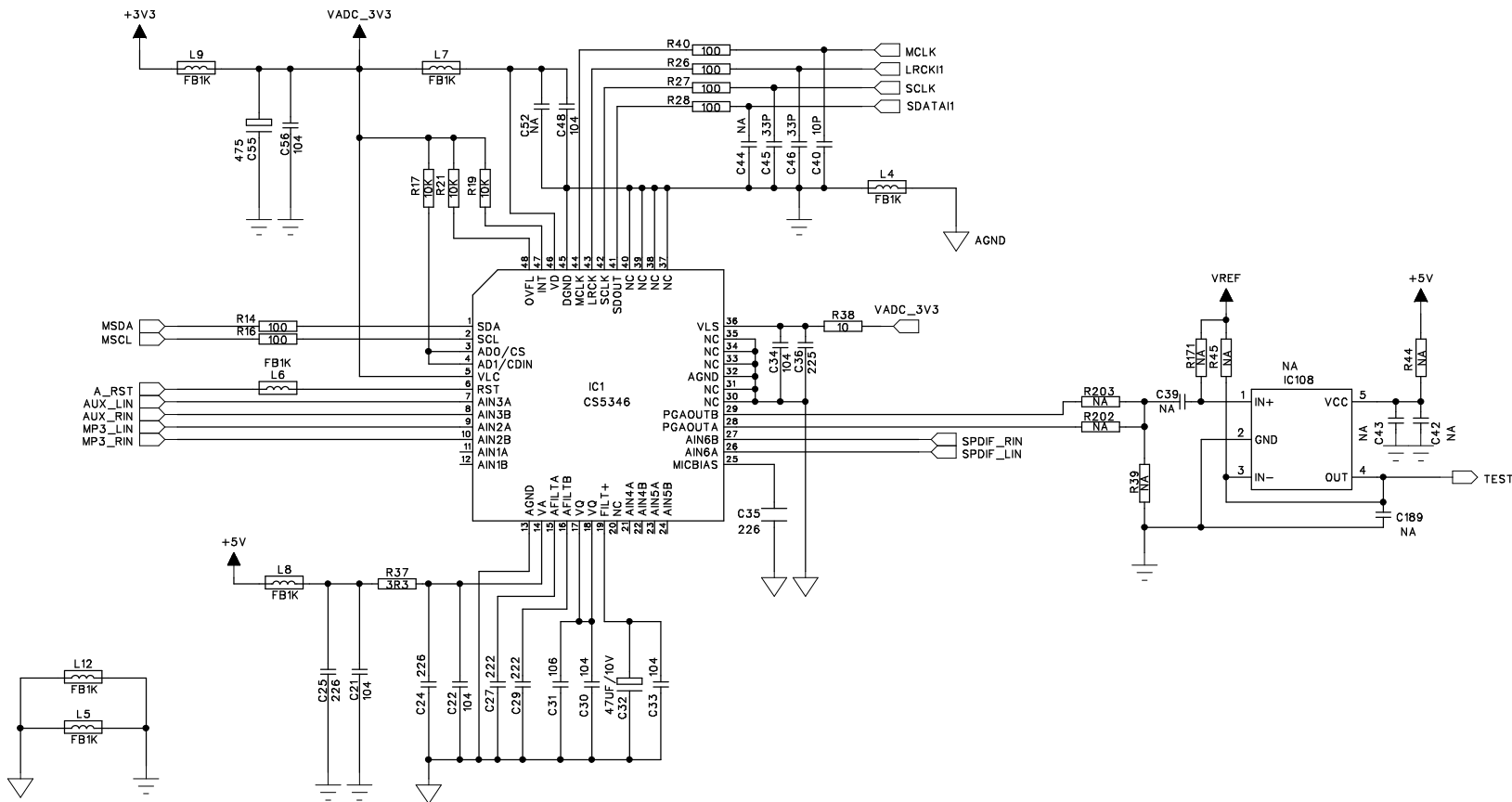
3		2		1	
DATE	S/N	Modify summary	Revise	Drawn by	Approved by
2011.05.20			V0.2	Gaoli	Jiehang.Xiao



RSR	Title:	INPUT
	Model No:	TB302
	Part No:	
	Doc No:	
Finish:		
Sheet 1 of 5		

Remark : This released drawing was produced by computer
Do not update by hand work.

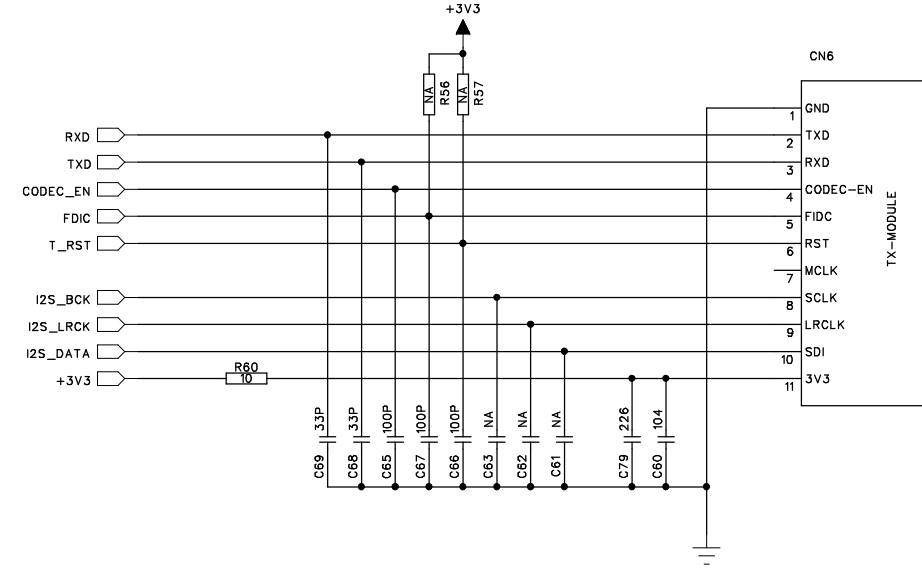
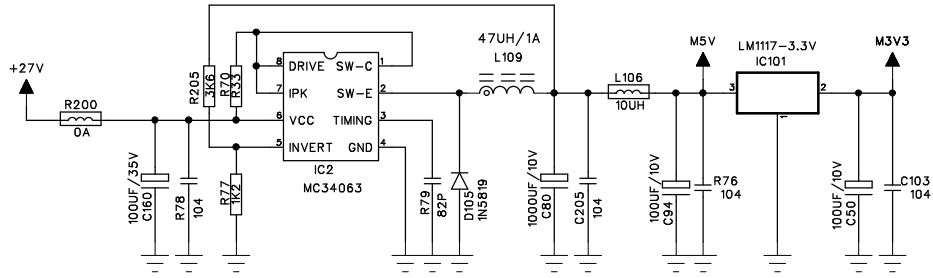
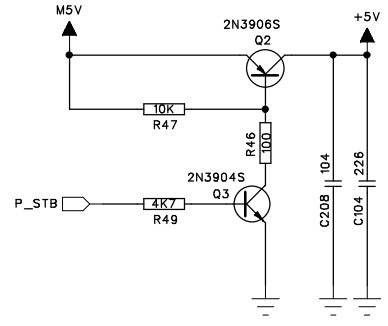
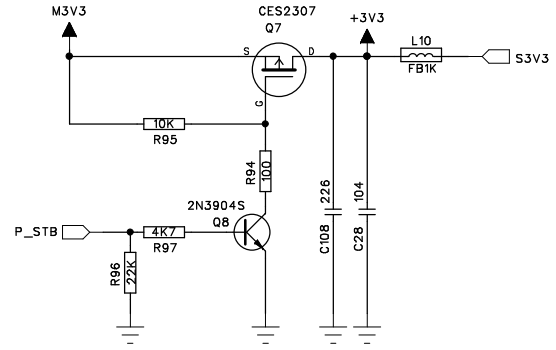
DATE	S/N	Modify summary	Revise	Drawn by	Approved by
2011.05.20			V0.2	Gaoli	Jiehang.Xiao



RSR	Title:	AD
	Model No:	TB302
Material:	Part No:	
Finish:	Doc No:	
		Sheet 2 of 5

Remark : This released drawing was produced by computer
Do not update by hand work.

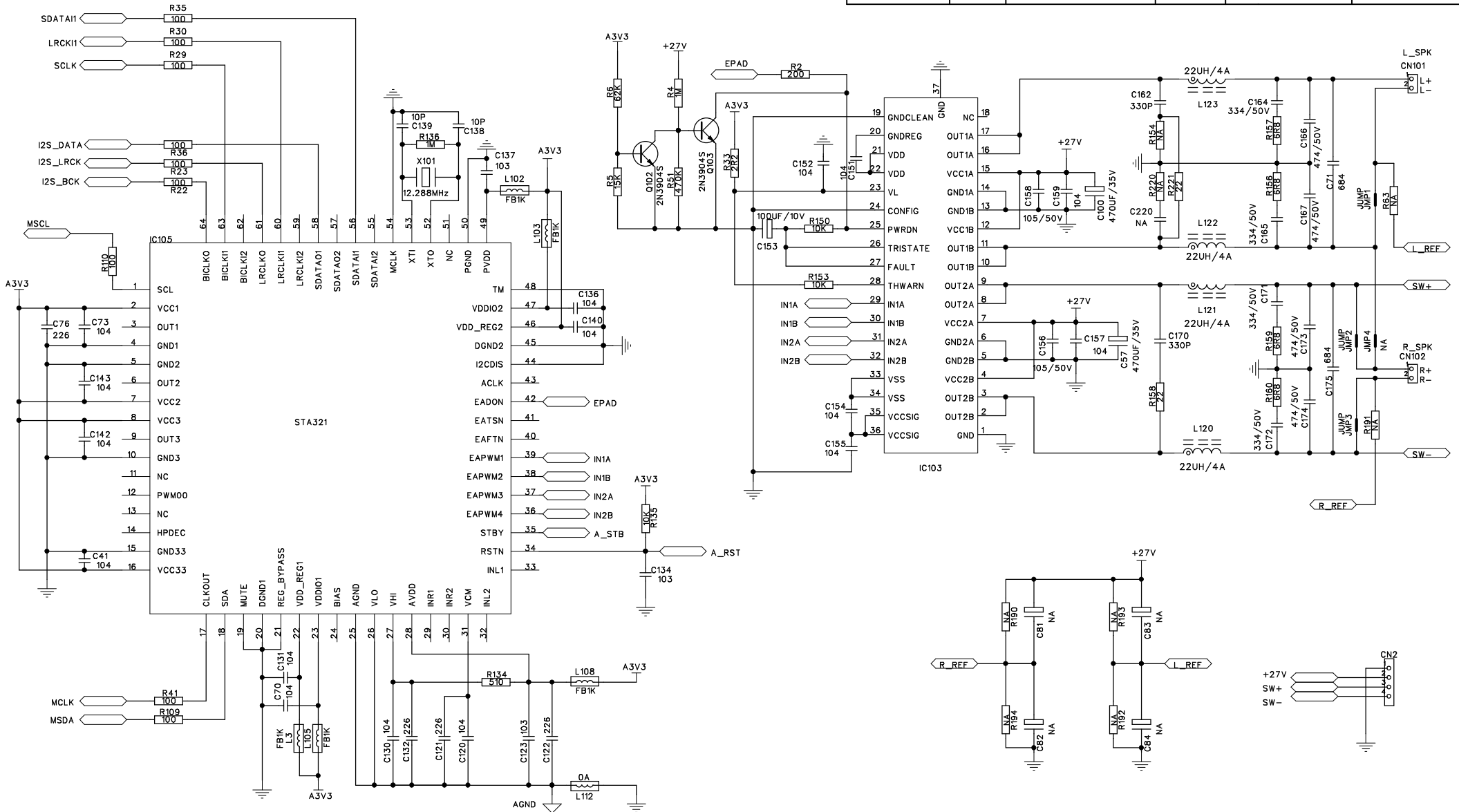
DATE	S/N	Modify summary	Revise	Drawn by	Approved by
2011.1.7			V0.1	Gaoli	Jiehang.Xiao



RSR	Title:	POWER+TX
	Model No:	TB300
	Part No:	
	Doc No:	
		Sheet 3 of 5

6		5		4		3		2		1	
DATE	S/N	Modify summary	Revise	Drawn by	Approved by						
2011.3.26			V0.1	Gaoli	Jiehang.Xiao						

Remark : This released drawing was produced by computer
Do not update by hand work.



RSR	Title:	AMP
	Model No:	TB300
Material:	Part No:	
Finish:	Doc No:	
		Sheet 4 of 5

D

C

B

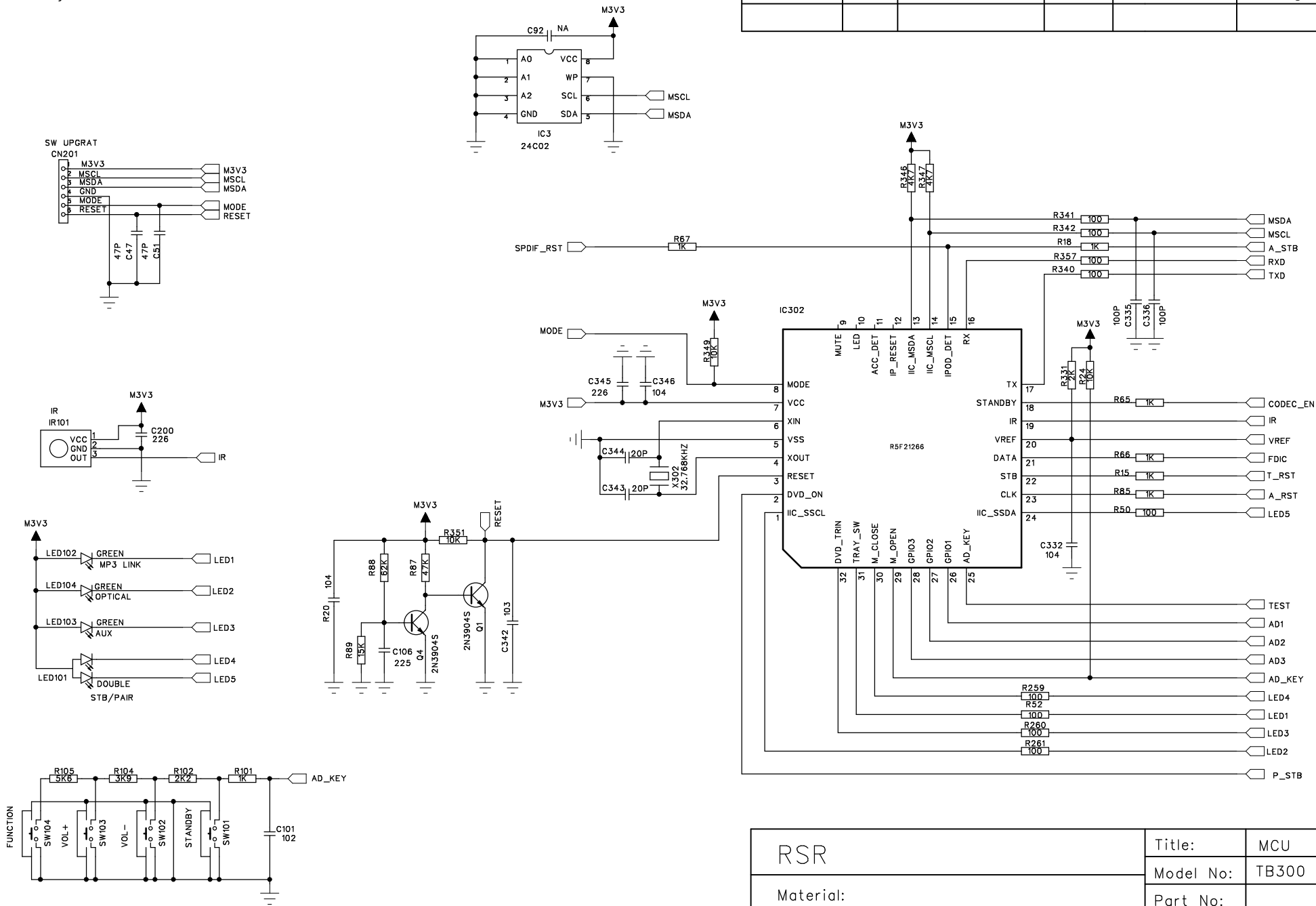
C

B

A

Remark : This released drawing was produced by computer
Do not update by hand work.

DATE	S/N	Modify summary	Revise	Drawn by	Approved by
2011.05.20			V0.2	Gaoli	Jiehang.Xiao



RSR	Title:	MCU
	Model No:	TB300
Material:	Part No:	
Finish:	Doc No:	
		Sheet 5 of 5

A