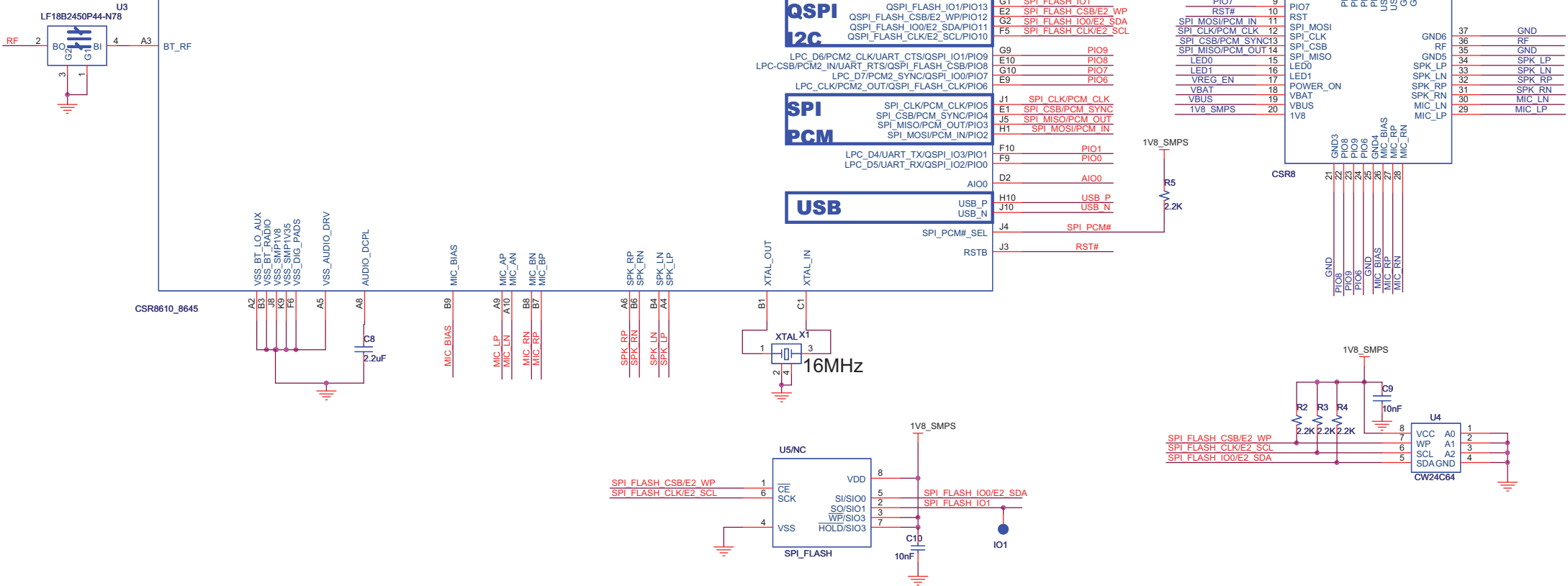


DATE	S/N	Modify summary	Revise	Drawn by	Approved by

Title:	
Model No:	
Part No:	
Doc No:	

Material:	
Finish:	

2402-2480
MHz



BT83 V2.0
 PIO7(PIN 9) replace of PIO1
 PIO8(PIN 22) replace of PIO12
 PIO9(PIN 23) replace of PIO10
 PIO6(PIN 24) replace of PIO11

Remark: This released drawing was produced by computer.
Do not update by hand work.

DATE	EN	Mainly summary	Ratio	Drawn by	Approved by
2011-10-20		DRAFT	0.1	YYY	XHH

