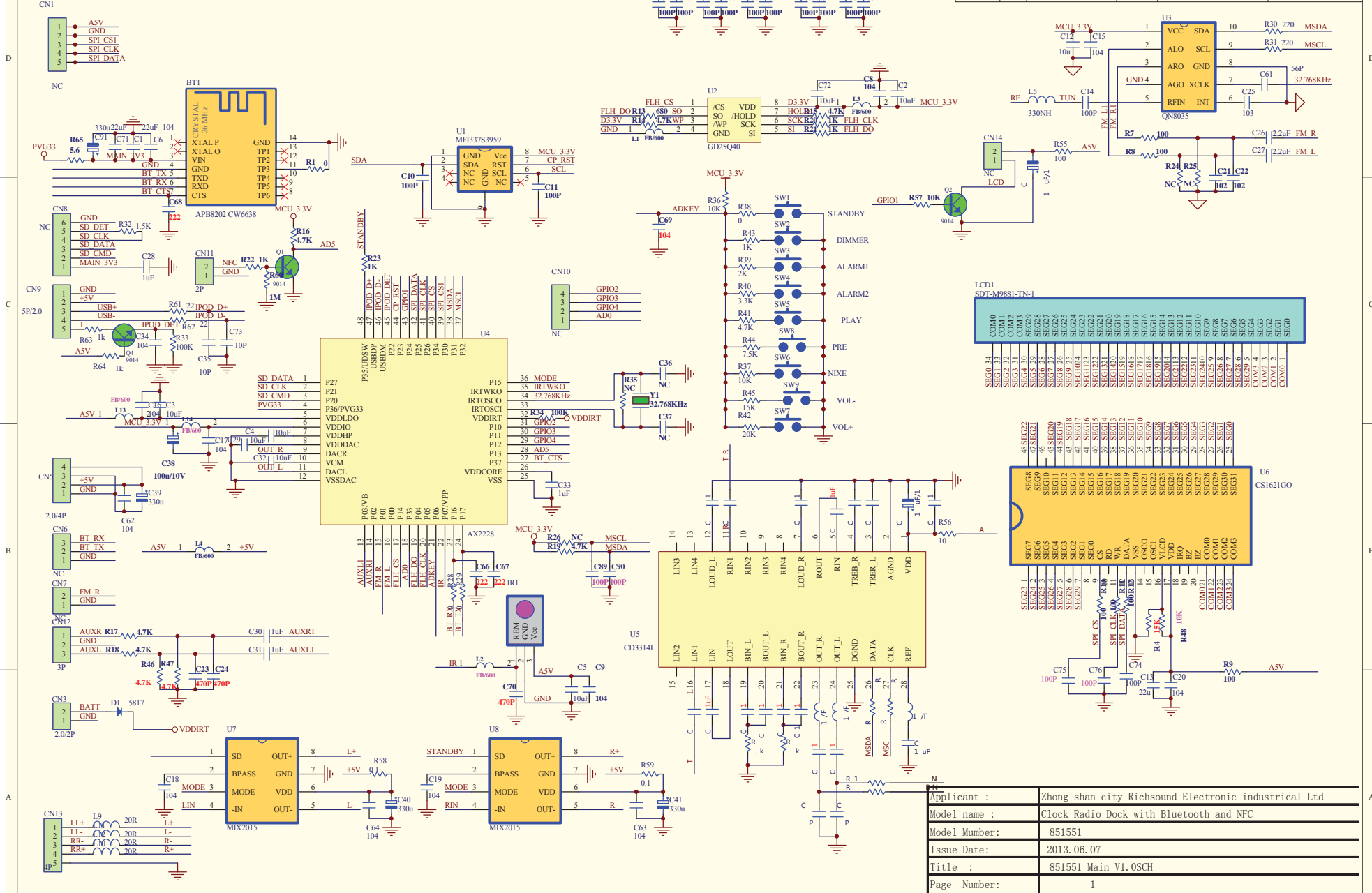
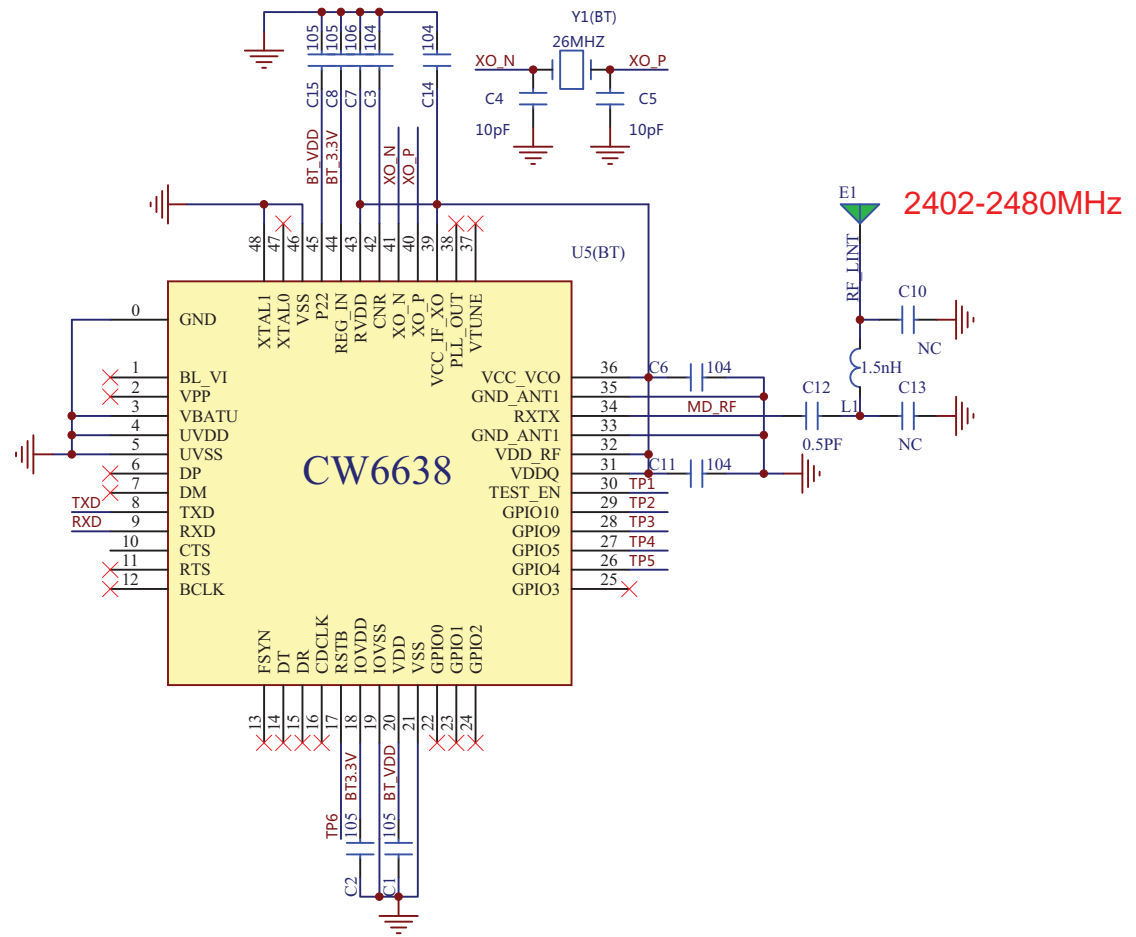
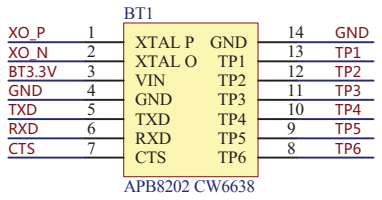


Remark : This released drawing was produced by computer.
Do not update by hand work.

DATE	S/N	Modify summary	Revise	Drawn by	Approved by
				Yingqiang.Chen	



Applicant :	Zhong shan city Richsound Electronic industrial Ltd
Model name :	Clock Radio Dock with Bluetooth and NFC
Model Number:	851551
Issue Date:	2013.06.07
Title :	851551 Main V1.0SCH
Page Number:	1



Applicant :	Zhong shan city Richsound Electronic industrial Ltd
Model name :	Clock Radio Dock with Bluetooth and NFC
Model Number:	851551
Issue Date:	2013.06.07
Title :	851551 Bluetooth V1.0SCH
Page Number:	2