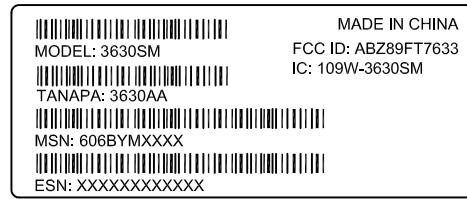
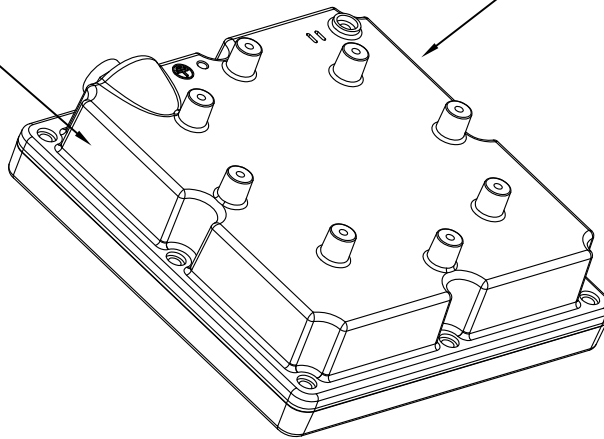


Regulatory Label



S/N MAC Label



Note:

1. Barcode type : code 39 (Barcode Level : B), Barcode Height: 2.5mm
2. Font type: Arial, Text Height: 1.5mm
3. MSN : 606BYMXXXX  
 606: Product Code (fixed)  
 B: Plant Code (fixed)  
 Y: Year Code (please see P2 contents)  
 M: Month Code (please see P2 contents)  
 XXXX: Sequence number (please see P2 content)
4. ESN : MAC Address, customer apply.
5. 各零件內容之檢驗，依各料號之材料承認書

Description	S/N MAC label	P/N	42K-900-xxxxR	Description	Regulatory label	P/N	420-900-xxxxR
				TITLE :		DOCUMENT NO:	REV.
				Package Standard Operation Procedure		990-750-0146R	1.0