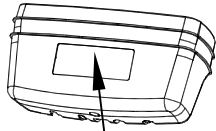


Important Label

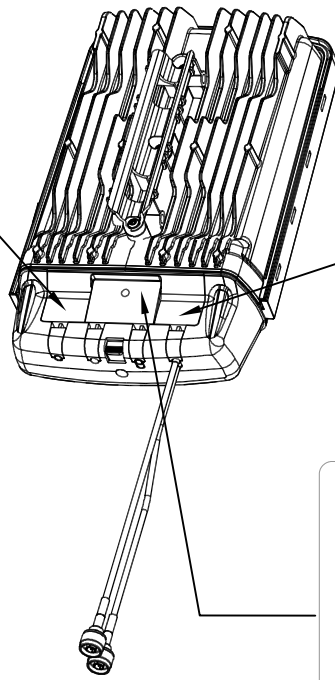


Raintight Label

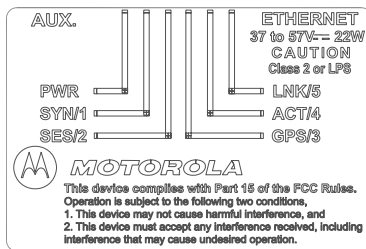
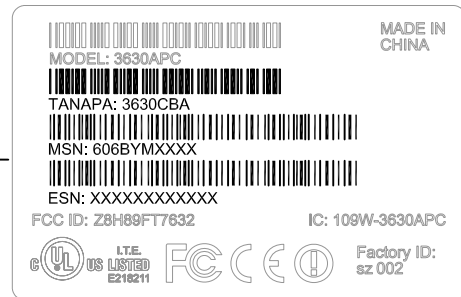
Raintight



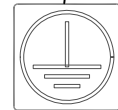
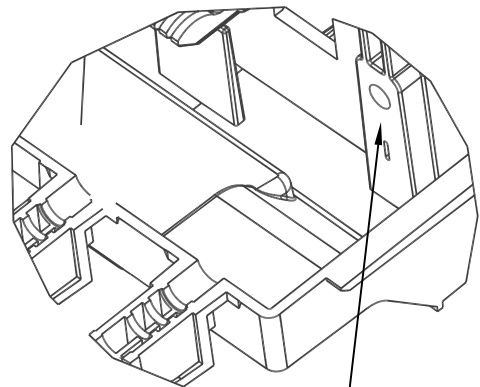
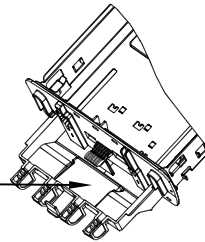
Logo Label



Back Label



IO LABEL



EARTH Label

Note:

- Label請依指示位置居中張貼。
- Barcode type : code 39 (Barcode Level : B), Barcode Height: 3.2mm
- Font type: Arial, Text Height: 1.5mm
- MSN : 606BYMXXXX
606: Product Code (fixed)
B: Plant Code (fixed)
Y: Year Code (please see P2 contents)
M: Month Code (please see P2 contents)
XXXX: Sequence number (please see P2 content)
- ESN : MAC Address, customer supply.
- 各零件內容之檢驗，依各料號之材料承認書

Description	IO Label	P/N	42K-900-0913R	Description	EARTH Label	P/N	42K-900-0916R
Description	Important Label	P/N	42K-900-0873R	Description	Raintight Label	P/N	42K-900-0874R
Description	Logo Label	P/N	42K-900-0871R	Description	Back Label	P/N	42K-120-0596R
正文科技股份有限公司 Wireless Broadband Anywhere Gemtek Technology Co., Ltd.				TITLE :		REV.	
				Package Standard Operation Procedure		990-750-0143R 1.1	