

BRAVEN®

STRYDE XL™



USER GUIDE

GET TO KNOW YOUR BRAVEN

RESET

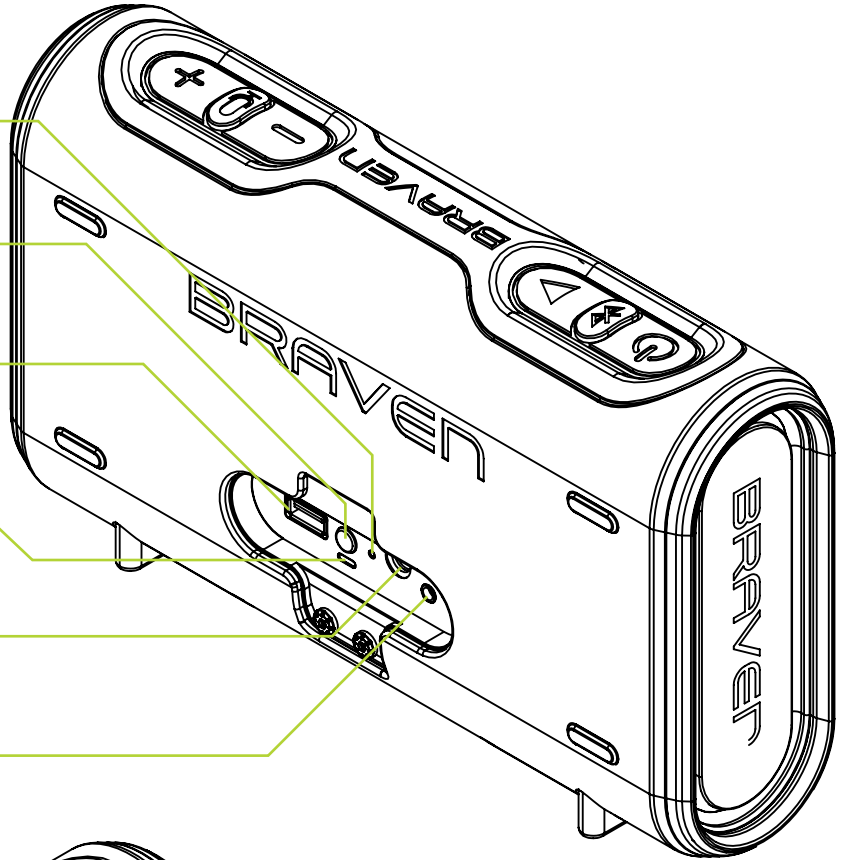
BATTERY STATUS BUTTON

EXTERNAL USB
CHARGING PORT

BATTERY STATUS LED

BRAVEN CHARGING PORT

3.5 MM AUDIO-IN JACK



VOLUME UP,
SKIP TRACK (press and hold)

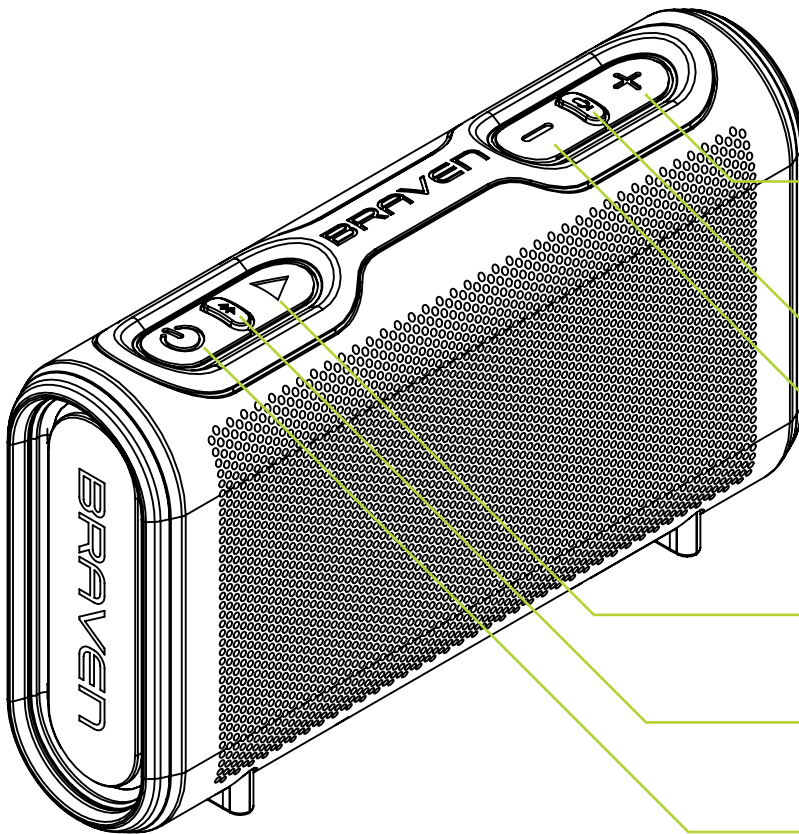
VOICE CONTROL,
ANSWER / END CALL

VOLUME DOWN,
SKIP BACK (press and hold)

PLAY / PAUSE

BLUETOOTH PAIRING

POWER ON / OFF



POWER AND BLUETOOTH® PAIRING

1. Press the Power button for 2-3 seconds to turn your BRAVEN STRYDE XL™ on / off.
2. Activate Bluetooth® in the settings of your mobile device (check the user manual of your device for further instruction).
3. Press and hold the Bluetooth® pairing button for 2-3 seconds until the audio cue signals.
4. Select BRAVEN STRYDE XL™ in your device's Bluetooth® settings to establish the connection.
5. Cancel Bluetooth® pairing mode by pressing the Bluetooth® button until the audio cue signals.

Your BRAVEN STRYDE XL™ remembers the last eight devices it paired with. Tap BRAVEN STRYDE XL™ in your Bluetooth® device menu to re-connect.

NOTE: If your BRAVEN is powered on with an inactive Bluetooth® connection for 30 minutes, it will automatically power off. Turn your BRAVEN on again by holding the power button for 2-3 seconds until you hear the audio cue.

VOLUME AND PLAYBACK CONTROL

Increase volume by short pressing the "+" button or decrease volume by pressing the "-" button. An audio cue will indicate when you've reached max volume.

Skip to the next trap by long pressing the "+" button or play the previous track by long pressing the "-" button.

USING BRAVEN BLUETOOTH® SMART

Download the BRAVEN STRYDE™ Active Speaker App from Google Play or the App Store to power on, pair for audio streaming and customize your listening experience.



CHARGING YOUR BRAVEN

Before using your BRAVEN STRYDE XL™ for the first time, fully charge your speaker until the battery indicator light stays solid white.

Charge your BRAVEN STRYDE XL™ by inserting the power adapter into a wall outlet. Next, plug the cable into the charging port on the back of the STRYDE XL™.

MONITORING BATTERY LEVEL: Use the Battery Status LED to monitor your speaker's battery level. Red = 40% or lower, Yellow = 40% - 70%, Green = 70% - 100%.

CHARGING EXTERNAL DEVICES

Your BRAVEN can charge most USB enabled smartphones and tablets using the 0.3A-2.4A full-sized, USB Port.

To use external charging:

1. Turn your BRAVEN on.
2. Plug your USB power cable into the USB port on the back of your BRAVEN.
3. Insert the other end of the cable into your device to immediately begin charging.

SPEAKERPHONE

Press the Mic button on your BRAVEN to answer and end calls over the speakerphone.

WATERPROOF FEATURES

The BRAVEN STRYDE XL™ is IP67 waterproof certified, designed to withstand rainfall, waterjets, splashing or a dunk in up to 3ft / 1m of water for up to 30 minutes.

IMPORTANT: Ensure your BRAVEN STRYDE XL™ is prepared for use in a wet environment by removing all cable connections and tightly sealing the port cover. If the cover is not securely fastened, your BRAVEN may sustain water damage.

USING BRAVEN VOICE CONTROL

Use Siri or Google voice assistant by short pressing the mic button on your BRAVEN. Give a command through the speaker to make calls, dictate messages and more.

RESETTING YOUR BRAVEN

Reset your BRAVEN STRYDE XL™ to its original factory settings by pressing the reset button under the back cover for 8-10 seconds.

WARNINGS, CAUTION & LEGAL INFORMATION

To reduce the risk of fire or electric shock, do not expose the BRAVEN to rain or moisture while charging. The BRAVEN should not be exposed to dripping or splashing, and objects filled with liquids, such as vases, should not be placed on or near it while being charged or charging other devices. As with any electronic products, use care not to spill liquids into any part of the product. Liquids can cause a failure and/or a fire hazard. The power supply must be used indoors only. Make no modifications to the product or accessories. Unauthorized alterations may compromise safety, regulatory compliance, and system performance, and will void the warranty. Do not place any flame sources, such as lighted candles, on or near the BRAVEN. The BRAVEN contains small parts that may be a choking hazard and is not suitable for children under age 3. Do not continue charging the battery if it does not reach full charge within the specified charging time. Overcharging may cause the battery to become hot, rupture, or ignite. If you see any heat deformation or leakage, properly dispose of the battery. Do not attempt to charge the battery in temperatures outside the range of 32°-104°F (0°-40°C). If the battery begins to leak, do not allow the liquid to come in contact with your skin or eyes. If contact has been made, wash the affected area with plenty of water and seek medical attention immediately. Do not expose the product or battery to excessive heat, including direct sunlight or fire and storage or use inside cars in hot weather, where it can be exposed to temperatures in excess of 115°F (60°C). Doing so may cause the battery and power supply to generate heat, rupture, or ignite. Using the product in this manner also may result in a loss of performance and a shortened life expectancy. Extended exposure to direct sunlight may damage the external appearance and material qualities. Do not step on, throw, or drop batteries or the power supply or device, or expose them to a strong shock. Do not pierce, crush, dent, or deform the batteries or power supply in any way. If either becomes deformed, properly dispose of it. Do not short-circuit batteries. Do not attempt to service the BRAVEN yourself. Opening or removing covers may expose you to dangerous voltages or other hazards and will void the manufacturer's warranty. To prevent risk of fire or electric shock, avoid overloading wall outlets, extension cords, or integral convenience receptacles. Your Bluetooth device (mobile phone, music player, tablet, laptop, etc.) must support the A2DP Bluetooth profile in order to work wirelessly with your new BRAVEN speaker. The A2DP profile is supported by most recent mobile products with built-in Bluetooth capability. Please refer to your device's user manual for details and instruction regarding the Bluetooth profiles it supports. This device complies with part 15 of the FCC Rules. Operation is subject to the following two conditions: (1) This device may not cause harmful interference, and (2) this device must accept any interference received,

including interference that may cause undesired operation.

NOTE: This equipment has been tested and found to comply with the limits for a Class B digital device, pursuant to part 15 of the FCC Rules. These limits are designed to provide reasonable protection against harmful interference in a residential installation. This equipment generates, uses and can radiate radio frequency energy and, if not installed and used in accordance with the instructions, may cause harmful interference to radio communications. However, there is no guarantee that interference will not occur in a particular installation. If this equipment does cause harmful interference to radio or television reception, which can be determined by turning the equipment off and on, the user is encouraged to try to correct the interference by one or more of the following measures:—Reorient or relocate the receiving antenna. —Increase the separation between the equipment and receiver. —Connect the equipment into an outlet on a circuit different from that to which the receiver is connected. —Consult the dealer or an experienced radio/TV technician for help.

CAUTION: Any changes or modifications not expressly approved by the party responsible for compliance could void the user's authority to operate the equipment.

FCC RADIATION EXPOSURE STATEMENT: This device complies with FCC radiation exposure limits set forth for an uncontrolled environment.

The device has been evaluated to meet general RF exposure requirement.

The device can be used in portable exposure condition without restriction.

Lithium Battery installed is not intended to be replaced by the USER.

CAUTION: Danger of explosion if battery is incorrectly replaced. Replace only with the same or equivalent type.

Where the MAINS plug is used as the disconnect device, the disconnect device shall remain readily operable.

The device meets the exemption from the routine evaluation limits in section 2.5 of RSS 102 and

compliance with RSS-102 RF exposure, users can obtain Canadian information on RF exposure and compliance.



Correct Disposal of this product. This marking indicates that this product should not be disposed with other household wastes throughout the EU. To prevent possible harm to the environment or human health from uncontrolled waste disposal, recycle it responsibly to promote the sustainable reuse of material resources. To return your used device, please use the return and collection systems or contact the retailer where the product was purchased.



This product complies with California Energy Commission efficiency standards for consumer battery chargers.

This device complies with Industry Canada license-exempt RSS standard(s). Operation is subject to the following two conditions: (1) this device may not cause interference, and (2) this device must accept any interference, including interference that may cause undesired operation of the device. Under Industry Canada regulations, this radio transmitter may only operate using an antenna of a type and maximum (or lesser) gain approved for the transmitter by Industry Canada. To reduce potential radio interference to other users, the antenna type and its gain should be so chosen that the equivalent isotropically radiated power (e.i.r.p.) is not more than that necessary for successful communication.

" Le présent appareil est conforme aux CNR d'Industrie Canada applicables aux appareils radio exempts de licence.

L'exploitation est autorisée aux deux conditions suivantes :

- (1) l'appareil ne doit pas produire de brouillage, et
- (2) l'utilisateur de l'appareil doit accepter tout brouillage radioélectrique subi, même si le brouillage est susceptible d'en compromettre le fonctionnement. "

The device has been evaluated to meet general RF exposure requirement.

The device can be used in portable exposure condition without restriction.

le dispositif a été évalué à satisfaire l'exigence générale de l'exposition aux rf.

l'appareil peut être utilisé dans des conditions d'exposition portatif sans restriction.

- This Class B digital apparatus complies with Canadian ICES-003.

- Cet appareil numérique de la classe B est conforme à la norme NMB-003 du Canada.

BRAVEN®



ONLINE:
braven.com



SUPPORT:
braven.com/support



EMAIL:
support@braven.com



PHONE:
1-877-9 BRAVEN (1-877-927-2836)



REGISTER:
braven.com/register