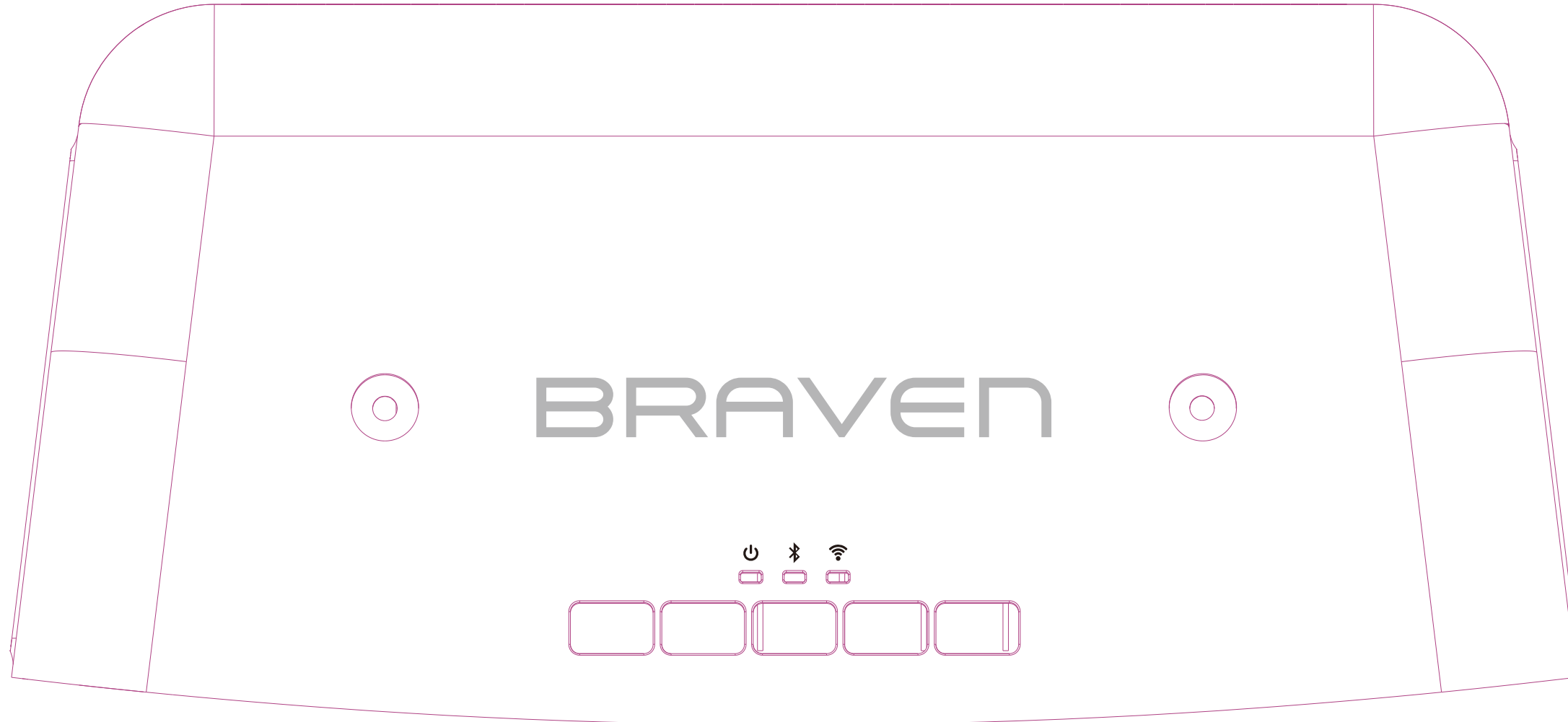


THE INFORMATION CONTAINED IN THIS DRAWING IS THE SOLE PROPERTY OF HANSONG(NANJING) ELECTRONIC CO.,LTD. ANY REPRODUCTION IN PART OR WHOLE WITHOUT THE WRITTEN PERMISSION OF HANSONG(NANJING) TECHNOLOGY CO.,LTD. IS PROHIBITED.

REVISIONS			
REV.	CHANGE DETAIL	PURPOSE	DATE
---	---	---	---
---	---	---	---

VILLA



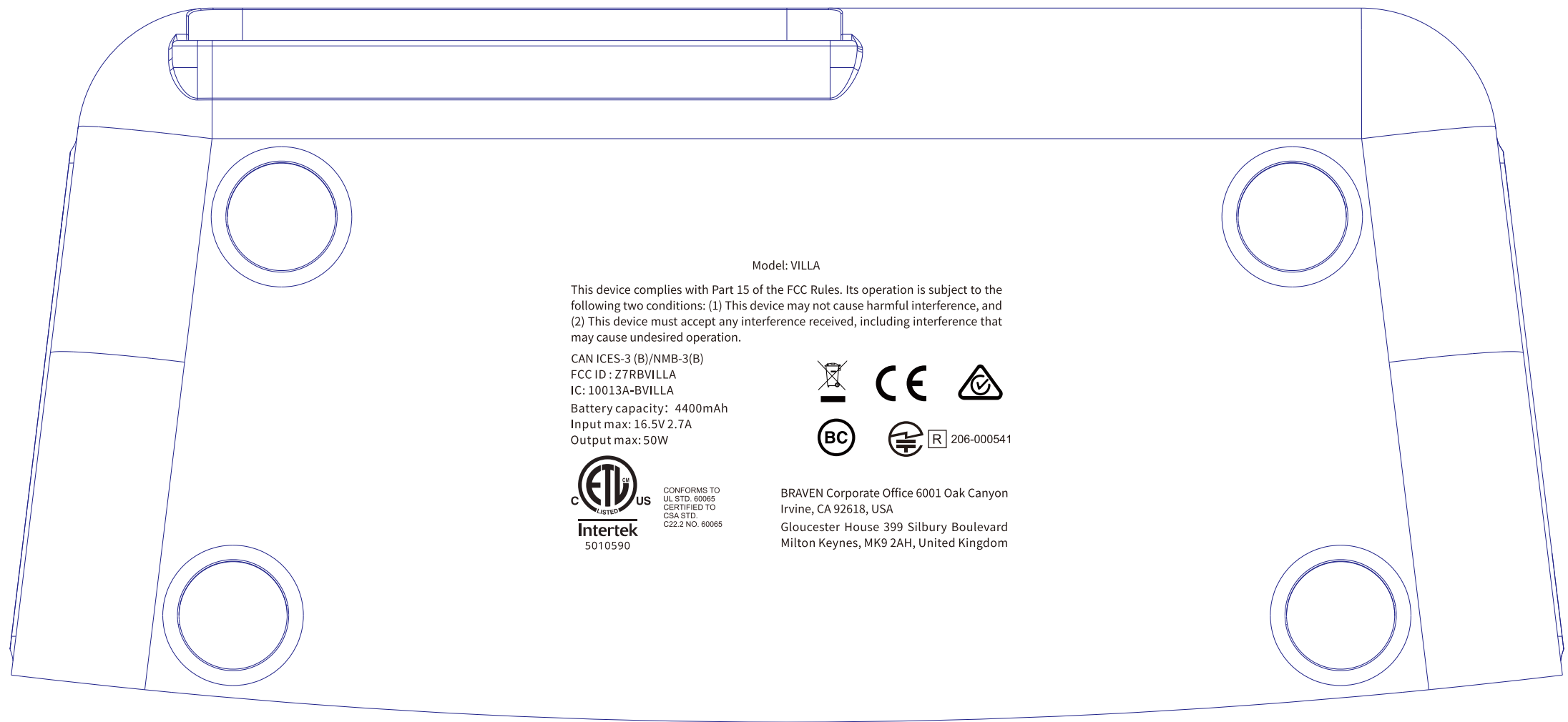
“BRAVEN” 此logo颜色是cool grey 2C
其他颜色 (Color): Pantone cool grey 11C

ITEM	PART OR IDENTIFYING NO.	NOMENCLATURE OR DESCRIPTION	MATERIAL SPECIFICATION	QTY REQD
PARTS LIST				
UNLESS OTHERWISE SPECIFIED DIMENSIONS ARE IN MILLIMETER TOLERANCES ARE:		CAD generated drawing Don't manually update MODEL: 4200L QTY:		HANSONG(NANJING) TECHNOLOGY CO.,LTD. NO. HS/QR-RD-26
Linear:GB/T1804-m OR ISO 2768-m		APPROVALS	DATE	
APPLICATION		Weight	Checked by tooling ME	PART NAME Cabinet Artwork
QUOTATION			Checked by Team leader	PART NO. 71-3-072001-5BZ
SAMPLE		3RD ANGLE PROJECTION	Approved by ME Manager	DWG. NO. HS40-0720-B12V1-SR03
TOOLING				SCALE fit
PRODUCTION				REV. B A3 Size SHEET 1 OF 2

8 7 6 5 4 3 2 1

THE INFORMATION CONTAINED IN THIS DRAWING IS THE SOLE PROPERTY OF HANSONG(NANJING) ELECTRONIC CO.,LTD. ANY REPRODUCTION IN PART OR WHOLE WITHOUT THE WRITTEN PERMISSION OF HANSONG(NANJING) TECHNOLOGY CO.,LTD. IS PROHIBITED.

REVISIONS			
REV.	CHANGE DETAIL	PURPOSE	DATE
---	---	---	---
---	---	---	---



Model: VILLA

This device complies with Part 15 of the FCC Rules. Its operation is subject to the following two conditions: (1) This device may not cause harmful interference, and (2) This device must accept any interference received, including interference that may cause undesired operation.

CAN ICES-3 (B)/NMB-3(B)
 FCC ID : Z7RBVILLA
 IC: 10013A-BVILLA
 Battery capacity: 4400mAh
 Input max: 16.5V 2.7A
 Output max: 50W



BRAVEN Corporate Office 6001 Oak Canyon
 Irvine, CA 92618, USA
 Gloucester House 399 Silbury Boulevard
 Milton Keynes, MK9 2AH, United Kingdom

FONT: NOTO SANS
 Color : Pantone cool grey 11C

ITEM	PART OR IDENTIFYING NO.	NOMENCLATURE OR DESCRIPTION	MATERIAL SPECIFICATION	QTY REQD
PARTS LIST				
UNLESS OTHERWISE SPECIFIED DIMENSIONS ARE IN MILLIMETER TOLERANCES ARE:		CAD generated drawing Don't manually update		HANSONG(NANJING) TECHNOLOGY CO.,LTD. NO. HS/QR-RD-26
Linear:GB/T1804-m OR ISO 2768-m		MODEL: 4200L	QTY:	
APPLICATION	Weight	APPROVALS	DATE	PART NAME
QUOTATION		Drawn by ME Lily.wu	2018.1.9	Cabinet Artwork
SAMPLE		Checked by tooling ME		PART NO. 71-3-072001-5CZ
TOOLING		Checked by Team leader		DWG. NO. HS40-0720-B12V1-SR03
PRODUCTION		Approved by ME Manager		SCALE fit REV. C A3 Size SHEET 2 OF 2