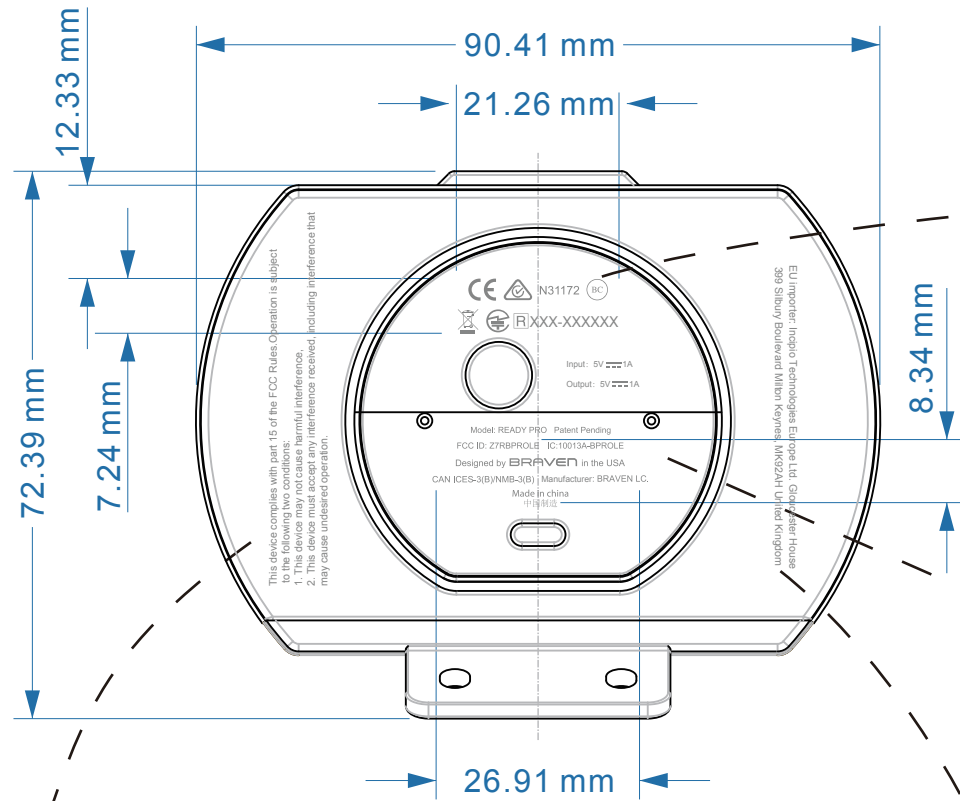


# BRV-PRO2.0(READY PRO) Silkscreen



Scale: 1:3

Model: READY PRO Patent Pending  
 FCC ID: Z7RBPROLE IC:10013A-BPROLE  
 Designed by **BRAVEN** in the USA  
 CAN ICES-3(B)/NMB-3(B) Manufacturer: BRAVEN LC.  
 Made in china  
 中国制造

Scale: 1:3

This device complies with part 15 of the FCC Rules.Operation is subject to the following two conditions:  
 1. This device may not cause harmful interference,  
 2. This device must accept any interference received, including interference that may cause undesired operation.

EU importer: Incipio Technologies Europe Ltd. Gloucester House  
 399 Silbury Boulevard Milton Keynes, MK92AH United Kingdom

Item	Part Color	Silkscreen Color
1	BLACK	Pantone Cool Gray 9C
2	Pantone Cool Gray 9C	Pantone Cool Gray 9C

TOLERANCE UNLESS OTHERWISE SPECIFIED	<table border="1"> <tr><td>0.1</td></tr> <tr><td>0.2</td></tr> <tr><td>0.3</td></tr> <tr><td>0.6</td></tr> </table>	0.1	0.2	0.3	0.6	ANGLE: 3RD	A1		
0.1									
0.2									
0.3									
0.6									
UNIT: MM			A0						
MODEL: BRV-PRO2.0(READY PRO)	SCALE: 1:1	SIZE: A3	3						
MATERIAL (COLOR)	TREATMENT / FINISH (COLOR)		2						
DESCRIPTION			1	2017-06-28					
PART NO.			ITEM	DATE	RELEASE DESCRIPTION				
					SIGN.				
			DRAWN BY: Wanghaibo		CHECKED BY				
			APPROVED BY						
PLASTOFORM ELECTRONICS (SHENZHEN) COMPANY LIMITED		SHEET: 1/1							
Part should be fulfill the banned an		restricted substances requirement		which specified in ESPP- 3001					

