

BRAVEN®

READY
ELITE™



USER GUIDE

GET TO KNOW YOUR BRAVEN

RESET

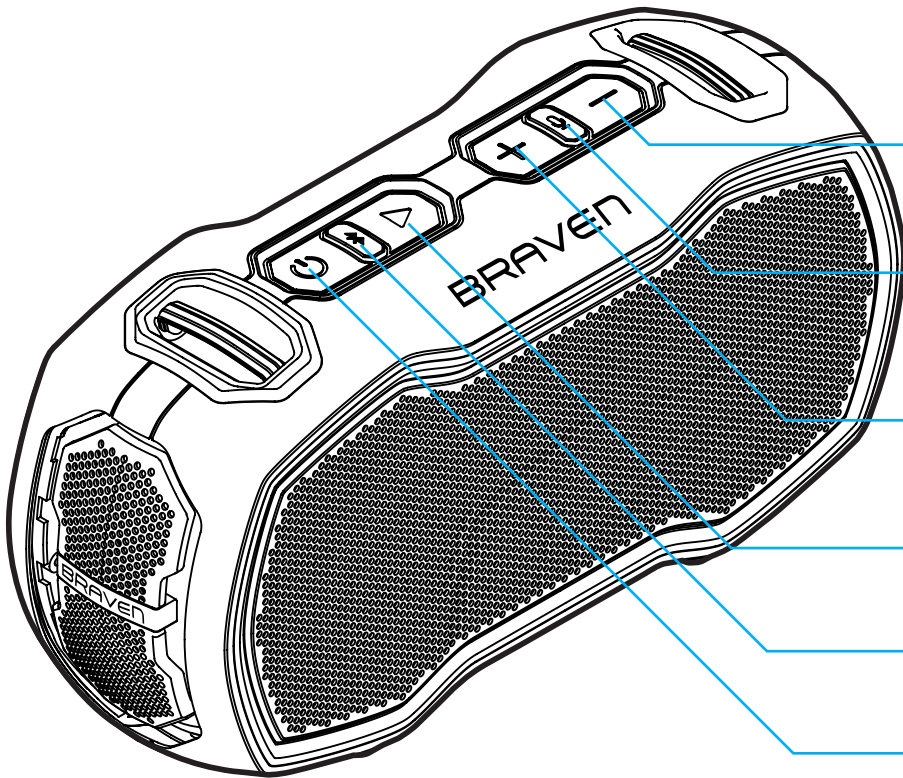
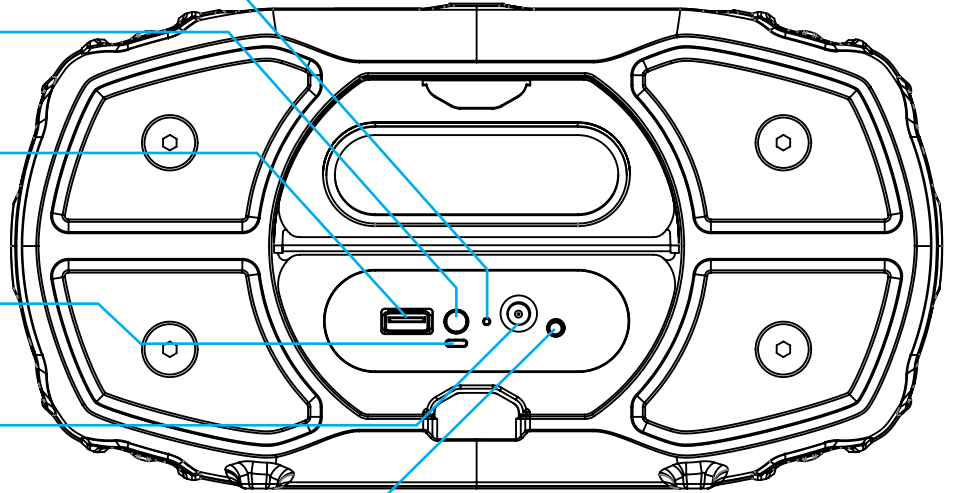
BATTERY STATUS BUTTON

EXTERNAL USB
CHARGING PORT

BATTERY STATUS LED

BRAVEN CHARGING PORT

3.5 MM AUDIO-IN JACK



VOLUME DOWN,
SKIP BACK (press and hold)

VOICE CONTROL,
ANSWER / END CALL

VOLUME UP,
SKIP TRACK (press and hold)

PLAY / PAUSE

APP PAIRING / BLUETOOTH
PAIRING (press and hold)

POWER ON / OFF
(press and hold)

POWER & BLUETOOTH PAIRING

1. Press the power button for 2-3 seconds to turn your BRAVEN READY ELITE™ on or off.
2. Toggle Bluetooth® on in your device settings. For further instruction on how to do so, please refer to the user manual included with your mobile device.
3. Your speaker will automatically enter pairing mode when powered on for the first time. Go to your device's Bluetooth® settings and select "BRAVEN READY ELITE" from the list.

Your BRAVEN will remember the last 8 devices it has paired with.

NOTE: If your BRAVEN is left on with an inactive Bluetooth® connection for 2 hours, it will automatically power off. Power your BRAVEN on again by pressing and holding the power button for 2-3 seconds.

VOLUME AND PLAYBACK CONTROL

Increase volume by short pressing the "+" button or decrease volume by short pressing the "-" button. An audio cue will indicate when you've reached max volume.

Skip to the next track by long pressing the "+" button or play the previous track by long pressing the "-" button.

USING BRAVEN BLUETOOTH® SMART

Download the BRAVEN READY™ Outdoor Speaker App from Google Play or the App Store to power on, pair for audio streaming and customize your listening experience.



CHARGING YOUR BRAVEN

Before using your BRAVEN READY ELITE™ for the first time, fully charge your speaker. If the speaker is on, a solid green LED will indicate full charge. If the speaker is off, the battery indication LED will stop blinking when the speaker is fully charged.

Charge your BRAVEN READY ELITE™ by inserting the power adapter into a wall outlet. Next, plug the cable into the charging port on the back of the READY ELITE™.

MONITORING BATTERY LEVEL: Use the Battery Status LED to monitor your speaker's battery level. Red = 40% or lower, Yellow = 40% - 70%, Green = 70% - 100%.

CHARGING EXTERNAL DEVICES

Your BRAVEN can charge most USB enabled smartphones and tablets using the 5V / 1A full-sized, USB Port. To use external charging:

1. Turn your BRAVEN on.
2. Plug your USB power cable into the USB port on the back of your BRAVEN.
3. Insert the other end of the cable into your device to immediately begin charging.

SPEAKERPHONE

Press the mic button on your BRAVEN to answer and end calls over the speakerphone. This feature is disabled if the analog input is being used.

WATERPROOF FEATURES

The BRAVEN READY ELITE™ is IP68 waterproof certified, designed to withstand rainfall, waterjets, splashing or a dunk in up to 3ft / 1m of water for up to 30 minutes.

IMPORTANT: Ensure your BRAVEN READY ELITE™ is prepared for use in a wet environment by removing all cable connections and tightly sealing the port cover. If the cover is not securely fastened, your BRAVEN may sustain water damage.

USING BRAVEN VOICE CONTROL

Use Siri or Google voice assistant by short pressing the mic button on your BRAVEN. Give a command through the speaker to make calls, dictate messages and more.

USING TRUEWIRELESS STEREO PAIRING

TrueWireless allows you to wirelessly pair two BRAVEN READY ELITE™ speakers in right & left channel audio.

Activate TrueWireless by simultaneously long pressing the battery check button on the back of both speakers until the pairing chime emits. A voice prompt saying “Bluetooth connected” will indicate that both speakers have successfully paired together within approximately 30 seconds.

For step by step instructions, visit our website BRAVEN.COM.

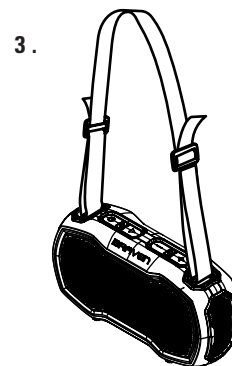
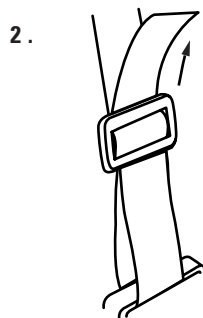
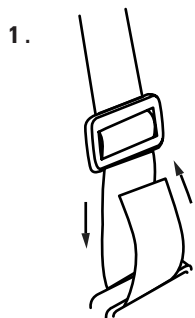
RESETTING YOUR BRAVEN

If your BRAVEN READY ELITE™ is unresponsive, press the reset button under the back cover for 1 to 2 seconds.

To restore your BRAVEN READY ELITE™ to its original factory settings, press and hold the VOL - and PLAY buttons together until you hear a tone. The speaker will then power off.

CARRY STRAP INSTRUCTIONS

1. Loop each end of strap through your speaker's tie down bars.
2. Weave strap back through the buckle attached to the strap.
3. Slide buckle to adjust.





WARNINGS, CAUTION & LEGAL INFORMATION


To reduce the risk of fire or electric shock, do not expose the BRAVEN to rain or moisture while charging. The BRAVEN should not be exposed to dripping or splashing, and objects filled with liquids, such as vases, should not be placed on or near it while being charged or charging other devices. As with any electronic products, use care not to spill liquids into any part of the product. Liquids can cause a failure and/or a fire hazard. The power supply must be used indoors only. Make no modifications to the product or accessories. Unauthorized alterations may compromise safety, regulatory compliance, and system performance, and will void the warranty. Do not place any flame sources, such as lighted candles, on or near the BRAVEN. The BRAVEN contains small parts that may be a choking hazard and is not suitable for children under age 3. Do not continue charging the battery if it does not reach full charge within the specified charging time. Overcharging may cause the battery to become hot, rupture, or ignite. If you see any heat deformation or leakage, properly dispose of the battery. Do not attempt to charge the battery in temperatures outside the range of 32°-104°F (0°-40°C). If the battery begins to leak, do not allow the liquid to come in contact with your skin or eyes. If contact has been made, wash the affected area with plenty of water and seek medical attention immediately. Do not expose the product or battery to excessive heat, including direct sunlight or fire and storage or use inside cars in hot weather, where it can be exposed to temperatures in excess of 115°F (60°C). Doing so may cause the battery and power supply to generate heat, rupture, or ignite. Using the product in this manner also may result in a loss of performance and a shortened life expectancy. Extended exposure to direct sunlight may damage the external appearance and material qualities. Do not step on, throw, or drop batteries or the power supply or device, or expose them to a strong shock. Do not pierce, crush, dent, or deform the batteries or power supply in any way. If either becomes deformed, properly dispose of it. Do not short-circuit batteries. Do not attempt to service the BRAVEN yourself. Opening or removing covers may expose you to dangerous voltages or other hazards and will void the manufacturer's warranty. To prevent risk of fire or electric shock, avoid overloading wall outlets, extension cords, or integral convenience receptacles. Your Bluetooth device (mobile phone, music player, tablet, laptop, etc.) must support the A2DP Bluetooth profile in order to work wirelessly with your new BRAVEN speaker. The A2DP profile is supported by most recent mobile products with built-in Bluetooth capability. Please refer to your device's user manual for details and instruction regarding the Bluetooth profiles it supports. This device complies with part 15 of the FCC Rules. Operation is subject to the following two conditions: (1) This device may not cause harmful interference, and (2) this device must accept any interference received, including interference that may cause undesired operation.

NOTE: This equipment has been tested and found to comply with the limits for a Class B digital device, pursuant to part 15 of the FCC Rules. These limits are designed to provide reasonable protection against

harmful interference in a residential installation. This equipment generates, uses and can radiate radio frequency energy and, if not installed and used in accordance with the instructions, may cause harmful interference to radio communications. However, there is no guarantee that interference will not occur in a particular installation. If this equipment does cause harmful interference to radio or television reception, which can be determined by turning the equipment off and on, the user is encouraged to try to correct the interference by one or more of the following measures:—Reorient or relocate the receiving antenna. —Increase the separation between the equipment and receiver. —Connect the equipment into an outlet on a circuit different from that to which the receiver is connected. — Consult the dealer or an experienced radio/TV technician for help. CAUTION: Any changes or modifications not expressly approved by the party responsible for compliance could void the user's authority to operate the equipment. FCC RADIATION EXPOSURE STATEMENT: This device complies with FCC radiation exposure limits set forth for an uncontrolled environment. The device has been evaluated to meet the general RF exposure requirement. The device can be used in portable exposure conditions without restriction. This device complies with Industry Canada license-exempt RSS standard(s). Operation is subject to the following two conditions: (1) this device may not cause interference, and (2) this device must accept any interference, including interference that may cause undesired operation of the device. Under Industry Canada regulations, this radio transmitter may only operate using an antenna of a type and maximum (or lesser) gain approved for the transmitter by Industry Canada. To reduce potential radio interference to other users, the antenna type and its gain should be so chosen that the equivalent isotropically radiated power (e.i.r.p.) is not more than that necessary for successful communication. The device has been evaluated to meet general RF exposure requirement. The device can be used in portable exposure condition without restriction. This Class B digital apparatus complies with Canadian ICES-003. Lithium Battery installed is not intended to be replaced by the USER. CAUTION: Danger of explosion if battery is incorrectly replaced. Replace only with the same or equivalent type. Where the MAINS plug is used as the disconnect device, the disconnect device shall remain readily operable. The device meets the exemption from the routine evaluation limits in section 2.5 of RSS 102 and compliance with RSS-102 RF exposure, users can obtain Canadian information on RF exposure and compliance.

 Correct Disposal of this product. This marking indicates that this product should not be disposed with other household wastes throughout the EU. To prevent possible harm to the environment or human health from uncontrolled waste disposal, recycle it responsibly to promote the sustainable reuse of material resources. To return your used device, please use the return and collection systems or contact the retailer where the product was purchased.

 This product complies with California Energy Commission efficiency standards for consumer battery chargers.

 Braven hereby declares that this device is in compliance with Radio Equipment Directive 2014/53/EU. The full text of the EU DoC is available at the following: <https://www.braven.com/eu-declaration-of-conformity>.

Braven follows Safety Instruction for CE-LV. Do not operate products in temperatures outside the range of -5 - 40°C. Operating Frequency Band: 2402 MHz to 2480 MHz Maximum RF power: 6dBm EIRP. Do not install this equipment in a confined or building-in space such as a book case or similar unit, and remain a well ventilation conditions. The ventilation should not be impeded by covering the ventilation openings with items such as newspaper, table-cloths, curtains etc.

WARNING To reduce the risk of fire or electric shock, do not expose this apparatus to rain or moisture. The apparatus shall not be exposed to dripping or splashing and that objects filled with liquids, such as vases, shall not be placed on apparatus.

WARNING: The power adapter is used as disconnect device, the disconnect device shall remain readily operable. WARNING Please refer the information on exterior bottom enclosure for electrical and safety information before installing or operating the apparatus. CAUTION: Danger of explosion if battery is incorrectly replaced. Replace only with the same or equivalent type. The battery (battery or batteries of battery pack) shall not be exposed to excessive heat such as sunshine, fire or the like.

Article 10

2. Manufacturers shall ensure that radio equipment shall be so constructed that it can be operated in at least one Member State without infringing applicable requirements on the use of radio spectrum.

10. In cases of restrictions on putting into service or of requirements for authorisation of use, information available on the packaging shall allow the identification of the Member States or the geographical area within a Member State where restrictions on putting into service or requirements for authorization of use exist. The Commission may adopt implementing acts specifying how to present that information. Those implementing acts shall be adopted in accordance with the advisory procedure referred to in Article 45(2).

Manufacturer: Braven LC.

APPRENEZ À CONNAÎTRE VOTRE BRAVEN

RÉINITIALISER

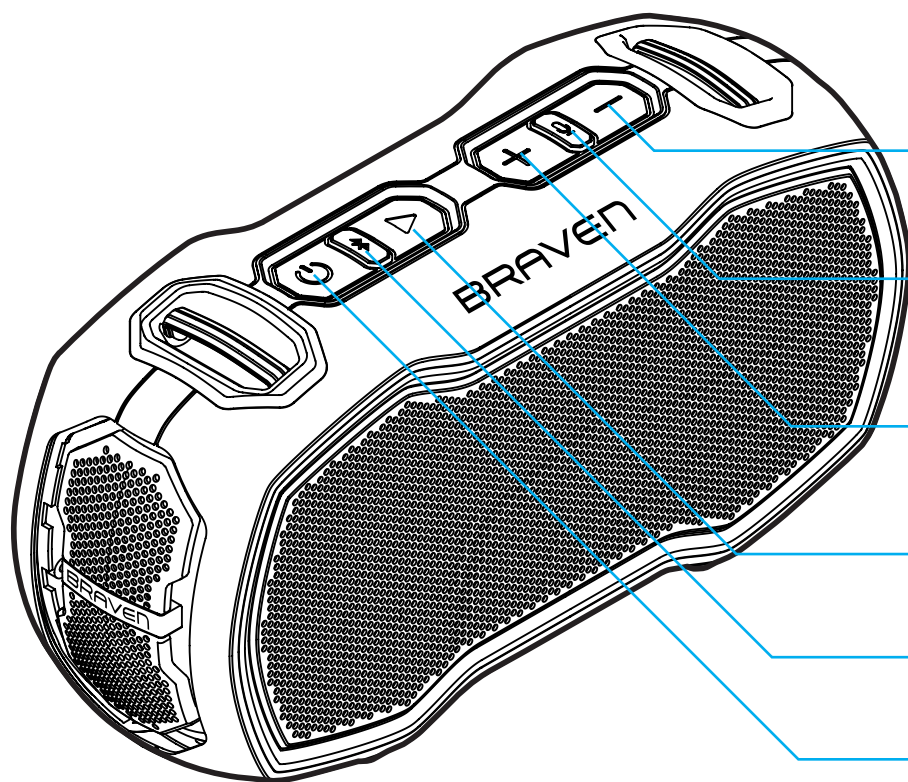
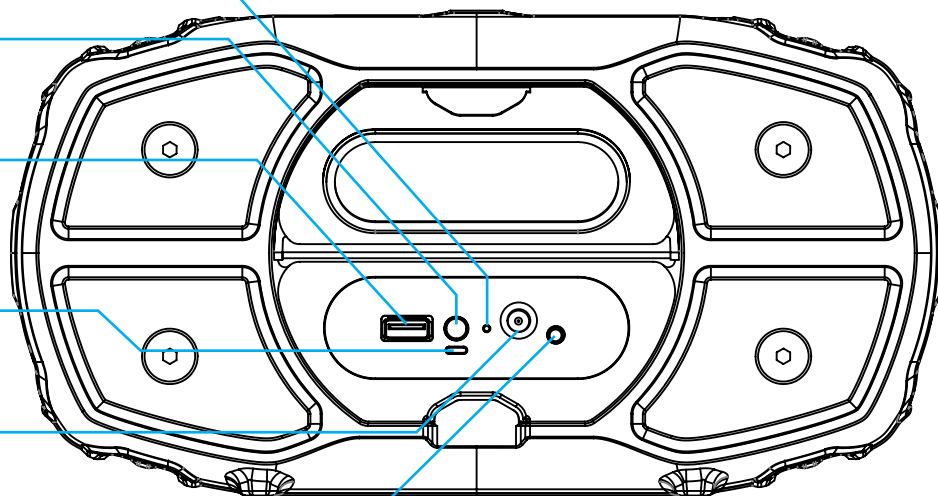
BOUTON D'ÉTAT DE BATTERIE

PORT DE RECHARGE USB EXTERNE

LED D'ÉTAT DE BATTERIE

PORT DE RECHARGE BRAVEN

PORT AUDIO JACK 3,5 MM



VOLUME - / CHANSON PRÉCÉDENTE (APPUYER ET MAINTENIR)

COMMANDE VOCALE / RÉPONDRE / TERMINER L'APPEL

VOLUME + / CHANSON SUIVANTE (APPUYER ET MAINTENIR)

LECTURE / PAUSE

BLUETOOTH / APPAIRAGE

ALIMENTATION ON / OFF

ALIMENTATION ET SYNCHRONISATION BLUETOOTH

1. Appuyez sur le bouton d'alimentation pendant 2 à 3 secondes pour allumer ou éteindre votre BRAVEN READY ELITE™.
2. Activez le Bluetooth depuis les paramètres de votre appareil. Pour plus d'informations sur la procédure, reportez-vous au manuel d'utilisation fourni avec votre appareil mobile.
3. Votre haut-parleur entrera automatiquement en mode de synchronisation lorsqu'il sera mis sous tension. Associez un deuxième appareil en appuyant sur le bouton Bluetooth et en le maintenant enfoncé pendant 2 à 3 secondes, jusqu'à ce que vous entendiez le signal audio. Rendez-vous dans les paramètres Bluetooth de votre appareil et sélectionnez « BRAVEN READY ELITE » dans la liste.

Votre BRAVEN se souviendra des 8 derniers appareils avec lesquels il est associé.

REMARQUE: Si votre BRAVEN reste allumé avec une connexion Bluetooth inactive pendant 30 minutes, il s'éteindra automatiquement. Allumez votre BRAVEN en appuyant et en maintenant enfoncé le bouton d'alimentation pendant 2 à 3 secondes.

CONTRÔLE DE VOLUME ET DE RELECTURE

Augmentez le volume en appuyant brièvement sur le bouton "+" et baissez-le en appuyant brièvement sur le bouton "-". Un signal audio vous indique quand vous avez atteint le volume maximum.

Passez à la piste suivante en appuyant longuement sur le bouton "+" ou à la piste précédente en appuyant longuement sur le bouton "-".

UTILISATION DE BLUETOOTH SMART DE BRAVEN

Téléchargez l'application enceinte nomade BRAVEN READY sur le Google Play ou l'App Store pour allumer, appairer pour la diffusion audio et personnaliser votre expérience d'écoute.



RECHARGEMENT DE VOTRE BRAVEN

Avant d'utiliser votre BRAVEN READY ELITE™ pour la première fois, chargez complètement votre haut-parleur jusqu'à ce que le voyant de la batterie reste allumé en blanc. Chargez votre BRAVEN READY ELITE™ en insérant l'adaptateur secteur dans une prise murale. Ensuite, branchez le câble dans le port de charge situé à l'arrière du READY ELITE™.

SURVEILLANCE DU NIVEAU DE LA BATTERIE : Utilisez le voyant d'état de la batterie pour surveiller le niveau de batterie de votre haut-parleur.

Rouge = 40 % ou moins, Jaune = 40 % - 70 %, Vert = 70 % - 100 %.

RECHARGEMENT DE DISPOSITIFS EXTERNES

Votre BRAVEN peut charger la plupart des smartphones et tablettes compatibles USB à l'aide du port USB classique de 0,3 A - 2,4 A.

Pour effectuer un rechargement externe :

1. Allumez votre BRAVEN.
2. Branchez votre câble d'alimentation USB dans le port USB situé à l'arrière de votre BRAVEN.
3. Insérez l'autre extrémité du câble dans votre appareil pour commencer immédiatement le rechargement.

MAIN-LIBRES

Appuyez sur le bouton du micro de votre BRAVEN pour répondre et mettre fin aux appels en mode main-libres.

CARACTÉRISTIQUES D'ÉTANCHÉITÉ

Le BRAVEN READY ELITE™ est certifié étanche IP68, il a été conçu pour résister à des précipitations, des jets d'eau, des éclaboussures ou une immersion dans jusqu'à 1m d'eau pendant 30 minutes.

IMPORTANT : assurez-vous que votre BRAVEN READY ELITE™ soit prêt à être utilisé dans un environnement humide en débranchant tous les câbles et en fermant hermétiquement le cache du port. Si le couvercle n'est pas bien fixé, votre BRAVEN pourrait être endommagé par l'eau.

UTILISATION DU CONTRÔLE DE VOIX BRAVEN

Utilisez Siri ou l'assistant Google Voice en appuyant brièvement sur le bouton du micro de votre BRAVEN. Formulez une commande via le haut-parleur afin de passer des appels, dicter des messages et plus encore.

UTILISATION DE LA SYNCHRONISATION STÉRÉO TRUEWIRELESS

TrueWireless vous permet d'associer sans fil deux haut-parleurs BRAVEN READY ELITE™ via les canaux audio droit et gauche.

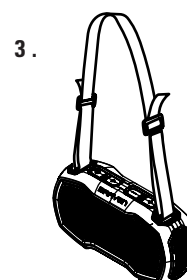
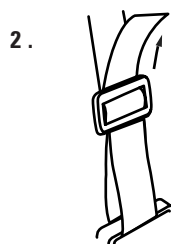
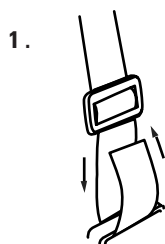
Activez TrueWireless en appuyant simultanément sur le bouton de vérification de la batterie situé au dos des deux haut-parleurs jusqu'à ce que l'appareil ait émis un son de synchronisation. Une invite vocale indiquant « Bluetooth connecté » indiquera que les deux haut-parleurs ont été synchronisés avec succès dans un délai approximatif de 30 secondes.

RÉINITIALISER VOTRE BRAVEN

Réinitialisez votre BRAVEN READY ELITE™ à ses réglages d'usine d'origine en appuyant sur le bouton de réinitialisation situé sous le capot arrière pendant 8 à 10 secondes.

INSTRUCTIONS DE TRANSPORT CONCERNANT LA SANGLE

1. Bouclez chaque extrémité de la sangle dans les barres d'attache de votre haut-parleur.
2. Tirez la sangle dans la boucle rattachée à la sangle.
3. Faites glisser la boucle pour l'ajuster.



AVERTISSEMENTS ET MISES EN GARDE / INFORMATIONS JURIDIQUES

Afin de réduire le risque d'incendie ou de choc électrique, n'exposez pas votre produit BRAVEN à la pluie ou à l'humidité lors de la charge. Le produit BRAVEN ne doit pas être exposé aux écoulements ou éclaboussures, et à des objets remplis de liquides, tels que des vases, ne doivent pas être placés sur ou près de lui lors de la charge ou de la charge d'autres appareils. Comme pour tous les appareils électroniques, faites attention à ne pas renverser de liquide dans le produit. Les liquides peuvent causer un dommage et/ou un risque d'incendie. La source d'alimentation doit être utilisée en intérieurs uniquement. Ne faites aucune modification du produit ou des accessoires. Les altérations non autorisées peuvent compromettre la sécurité, la satisfaction aux normes applicables, et les performances du système, et annuleront la garantie. Ne placez aucune source de flammes, telle que des bougies allumées, sur le BRAVEN ou à proximité de celui-ci. Le BRAVEN contient de petites pièces qui peuvent être une source de risque électrique, et ne conviennent pas à des enfants de moins de 3 ans. Ne continuez pas la charge de la batterie si elle n'atteint pas la pleine charge durant le temps de charge spécifié. Une surcharge peut provoquer une chauffe de l'appareil, l'abîmer ou l'enflammer. Si vous constatez une déformation consécutive à la chaleur ou une fuite, éliminez convenablement la batterie. N'essayez pas de charger la batterie à des températures hors de la fourchette de 0 °C à 40 °C (32 °F-104 °F). Si la batterie commence à fuir, ne laissez pas le liquide entrer en contact avec votre peau ou vos yeux. Si un contact s'est produit, nettoyez abondamment la zone concernée avec de l'eau, et consultez un médecin immédiatement. N'exposez pas le produit ou la batterie à une chaleur excessive, dont les rayons directs du soleil, le feu, le stockage ou l'utilisation dans un véhicule par temps chaud, où il pourrait être exposé à des températures excédant 60 °C (115 °F). Faire cela peut provoquer une chauffe de l'appareil, l'abîmer ou l'enflammer. Utiliser le produit de cette manière peut également résulter en une perte de performance et une durée de vie raccourcie. Les expositions prolongées aux rayons directs du soleil peuvent endommager l'apparence externe et les qualités des matériaux. Ne marchez pas sur l'alimentation ou l'appareil, ne les jetez pas, ne les faites pas tomber, et ne les exposez pas à un choc fort. Ne percez pas, n'écrasez pas, n'entaillez pas, ne déformez pas les batteries ou l'alimentation d'aucune façon. Si l'un de ces éléments se déforme, éliminez-le de la manière appropriée. Ne court-circuitez pas les batteries. Ne tentez pas de réparer le BRAVEN vous-même. Ouvrir ou retirer le boîtier peut vous exposer à des tensions dangereuses ou d'autres risques, et annulera la garantie constructeur. Pour prévenir les risques d'incendie ou de choc électrique, évitez de surcharger les prises secteur, les rallonges, ou les multiprises. Votre appareil Bluetooth (téléphone mobile, lecteur de musique, tablette, ordinateur portable, etc.) doit prendre en charge le profil Bluetooth A2DP afin de fonctionner sans fil avec votre nouvelle enceinte BRAVEN. Le profil A2DP est pris en charge par la plupart des produits mobiles récents avec prise en charge de Bluetooth intégrée. Veuillez vous référer au manuel utilisateur de votre appareil pour des informations et instructions concernant le Bluetooth qu'il prend en charge. Cet appareil satisfait les dispositions de la partie 15 de la réglementation FCC. Son fonctionnement est assujéti aux deux conditions suivantes : (1) Cet appareil ne doit pas causer d'interférence dangereuse, et (2) cet appareil doit accepter toute interférence reçue, dont les interférences qui pourraient provoquer un fonctionnement non désiré. NOTE : Cet équipement a été testé et déclaré conforme aux limites d'un appareil numérique de classe B, selon la partie 15 de la réglementation FCC. Ces limites sont conçues pour fournir une protection raisonnable contre les interférences néfastes dans un cadre domestique. Cet équipement génère, utilise et peut répandre une

énergie de radiofréquences et, s'il n'est pas installé et utilisé conformément aux instructions, peut causer des interférences néfastes pour les communications radio. Cependant, il n'y a pas de garantie que l'interférence ne surviendra pas pour une installation donnée. Si cet équipement cause une interférence néfaste à la réception de la radio ou de la télévision, qui peut être déterminée en éteignant puis en allumant de nouveau l'appareil, l'utilisateur est encouragé à essayer de corriger l'interférence par au moins l'une des mesures suivantes : — Réorienter ou déplacer l'antenne de réception. — Augmenter l'espace entre l'équipement et le récepteur. — Connecter l'équipement à une prise ou un circuit différent de celui auquel le récepteur est connecté. — Demander de l'aide auprès du vendeur ou d'un technicien radio/TV. ATTENTION : Tout changement ou modification qui n'est pas approuvé expressément par la partie responsable de la conformité pourrait annuler l'autorisation accordée à l'utilisateur pour utiliser cet équipement. NOTE D'EXPOSITION AUX RADIATIONS FCC : Cet appareil est conforme avec les limites d'expositions aux radiations définies par la réglementation FCC pour un environnement non contrôlé. L'appareil a été testé comme satisfaisant les exigences générales concernant les expositions aux radiofréquences. L'appareil peut être utilisé dans des conditions d'expositions en portabilité sans restriction. Cet appareil est conforme avec les standards RSS exemptés de licence de l'industrie du Canada. Son fonctionnement est assujéti aux deux conditions suivantes : (1) Cet appareil ne doit pas causer d'interférence, et (2) cet appareil doit accepter toute interférence reçue, dont les interférences qui pourraient provoquer un fonctionnement non désiré. Selon les normes d'Industry Canada, ce transmetteur radio ne peut fonctionner qu'en utilisant une antenne d'un type et d'un pouvoir d'amplification égal (ou inférieur) à celui approuvé pour les transmetteurs par Industry Canada. Pour réduire les interférences radio potentielles aux autres utilisateurs, le type d'antenne et son pouvoir d'amplification doivent être choisis afin que sa puissance isotrope rayonnée équivalente (PIRE) ne soit pas supérieure à celle nécessaire pour une communication efficace. L'appareil a été testé comme satisfaisant les exigences générales concernant les expositions aux radiofréquences. L'appareil peut être utilisé dans des conditions d'expositions en portabilité sans restriction. Cet appareil numérique de classe B satisfait la norme canadienne ICES-003. La batterie au Lithium intégrée n'est pas prévue pour être remplacée par l'UTILISATEUR. ATTENTION : Danger d'explosion si la batterie n'est pas correctement remplacée. Remplacez uniquement avec un type de batterie identique ou équivalent. Lorsque la prise PRINCIPALE est utilisée pour déconnecter l'appareil, elle doit rester facilement accessible. Cet appareil satisfait l'exemption des limites d'évaluation de routine de la section 2.5 de la norme RSS 102 et conformément à la norme RSS-102 sur l'exposition aux radiofréquences, les utilisateurs peuvent obtenir des informations canadiennes sur l'exposition et la conformité aux radiofréquences.

♻️ Élimination appropriée de ce produit. Ce marquage indique que ce produit ne doit pas être éliminé avec les autres déchets ménagers dans l'UE. Pour éviter d'endommager l'environnement ou la santé humaine d'une élimination des déchets non contrôlée, recyclez-le de façon responsable pour valoriser la réutilisation durable des ressources matérielles. Pour retourner votre appareil utilisé, veuillez utiliser les systèmes de retour et de collecte ou contacter le revendeur auprès duquel le produit a été acheté.

Ⓢ Ce produit satisfait les standards d'efficacité de la Commission californienne de l'Énergie concernant

les chargeurs de batteries destinés aux consommateurs.

CE Braven certifie ici que cet appareil est conforme à la Directive sur les équipements radio 2014/53/EU. L'intégralité de la directive EU DoC est disponible ici : <https://www.braven.com/eu-declaration-of-conformity>

Braven suit les Instructions de sécurité CE-LV. Ne pas utiliser les produits dans des températures en dehors de la plage de -5 à 40 °C. Bande de fréquence de fonctionnement : 2402 MHz à 2480 MHz. Puissance maximale des radiofréquences : 6 dBm EIRP. N'installez pas cet équipement dans un espace confiné ou encastré tel qu'une étagère ou un élément similaire, et maintenez de bonnes conditions de ventilation. Cette ventilation ne doit pas être entravée en couvrant les ouvertures des ventilations avec des éléments tels que des journaux, nappes, rideaux, etc.

ATTENTION : pour réduire le risque d'incendie ou de choc électrique, n'exposez pas cet appareil à la pluie ou à l'humidité. L'appareil ne doit pas être exposé aux gouttes ou éclaboussures et à des objets remplis de liquide, tels que des vases, ne doivent pas être placés sur l'appareil.

ATTENTION : l'alimentation secteur est utilisée comme dispositif de déconnexion, le dispositif de déconnexion doit rester accessible. ATTENTION : veuillez vous reporter aux informations sur le bas du boîtier pour les informations électriques et de sécurité avant d'installer ou d'utiliser l'appareil. MISE EN GARDE : danger d'explosion si la batterie est mal remplacée. Ne remplacer que par un modèle identique ou équivalent. La batterie (la batterie, les batteries ou l'ensemble de batteries) ne doit pas être exposée à une chaleur excessive telle que les rayons du soleil, le feu ou autre.

Article 10

2. Les constructeurs doivent s'assurer que l'équipement radio soit construit de façon à ce qu'il puisse fonctionner dans au moins un État membre sans enfreindre les conditions applicables concernant les radiofréquences.

10. En cas de restrictions sur la mise en service ou d'exigences pour l'autorisation d'utilisation, les informations sur l'emballage doivent permettre l'identification de l'État membre ou de la zone géographique d'un État membre où existent des restrictions sur la mise en service ou des exigences pour l'autorisation d'utilisation. La Commission peut adopter des réglementations d'implémentation spécifiant comment présenter cette information. Ces réglementations d'implémentation doivent être adoptées conformément à la procédure consultative à laquelle il est fait référence dans l'article 45(2).

Fabricant : Braven LC.