

BRAVEN LC  
Label Declaration letter

2017-09-15

We, BRAVEN LC hereby declared that the Braven Flye Sport Glo Earbuds are too small to put FCC ID/IC ID on it , We put FCC ID/IC ID on the charger base and user manual. Pictures attached as below

Product description: Braven Flye Sport Glo Earbuds

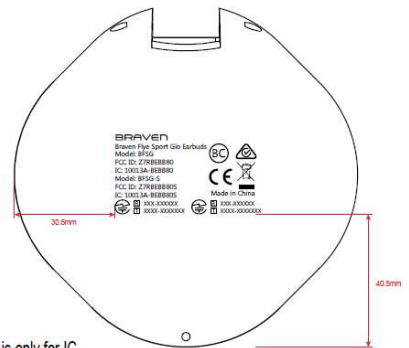
FCC ID: Z7RBEBB80

FCC ID: Z7RBEBB80S

IC

Model: BFSG, IC: 10013A-BEBB80

Model: BFSG-S, IC: 10013A-BEBB80S



Sincerely,

Client's signature

Client's name: Sally Namie

Title : Quality Manager

Contact information / address : [Sallyn@incipio.com](mailto:Sallyn@incipio.com) , 6001 Oak Canyon Irvine CA 92618 US