



User Guide

5130P Matrix Printer



Important Safety Instructions (English)

Read the following instructions thoroughly before starting up your printer.

- Never carry out maintenance or repair work yourself. Always contact a qualified service technician.
- Keep this Operator's Manual in a place which is easily accessible at all times.
- Place the printer on a solid and even base so that it cannot fall.
- Never place the printer in the vicinity of inflammable gas or explosive substances.
- Ensure the printer is connected to a socket with the correct mains voltage.
- Always disconnect the printer from the mains before opening the device to perform maintenance work or remedy errors.
- Do not expose the printer to high temperatures, direct sunlight or dust.
- Keep all liquids away from the printer.
- Protect the printer from shock, impact and vibration.
- Make sure that the printer and computer are switched off before connecting the data cable.
- The print head will become very hot during printing; avoid contact with the print head after printing has finished.
- Do not perform any operation or action in any way other than those provided in this manual. When in doubt, contact your dealer or your customer support.

Wichtige Sicherheitshinweise (German)

Lesen Sie bitte diese Sicherheitshinweise durch, bevor sie den Drucker in Betrieb nehmen.

- Führen Sie Wartungsarbeiten und Reparaturen keinesfalls selbst aus, sondern verständigen Sie immer einen qualifizierten Servicetechniker.
- Bewahren Sie diese Dokumentation an einem jederzeit zugänglichen Ort auf.
- Den Drucker auf stabilem und ebenem Untergrund so aufstellen, dass er nicht zu Boden fallen kann.
- Stellen Sie den Drucker keinesfalls in der Nähe von leicht entzündlichen Gasen oder explosiven Stoffen auf.
- Den Drucker nur an eine Steckdose mit der richtigen Spannung anschließen.
- Wenn Sie den Drucker vom Netz trennen wollen, den Drucker ausschalten und immer den Netzstecker an der Steckdose ziehen.
- Den Drucker weder hohen Temperaturen noch direktem Sonnenlicht und Staub aussetzen.
- Keine Flüssigkeiten mit dem Drucker in Berührung bringen.
- Den Drucker keinen Erschütterungen, Stößen oder Vibrationen aussetzen.
- Sicherstellen, dass der Drucker und der Computer ausgeschaltet sind, bevor das Datenkabel angeschlossen wird.
- Der Druckkopf wird während des Druckens heiß. Vor dem Berühren deshalb einige Zeit abkühlen lassen.
- Weichen Sie bei der Bedienung des Druckers nicht von den Anweisungen in der Dokumentation ab. Bei Unklarheiten wenden Sie sich bitte an Ihren Händler oder Ihren Kundendienst.

Consignes importantes de sécurité(French)

Lire attentivement les instructions suivantes avant de mettre l'imprimante en service.

- Ne jamais effectuer soi-même les travaux d'entretien et de réparations. Contactez toujours un dépanneur qualifié.
- Placer l'imprimante sur un support stable de façon à ce qu'elle ne puisse pas tomber.
- Ne jamais placer l'imprimante à proximité de sources de gaz aisément inflammables ou de substances explosives.
- Ne connecter l'imprimante à une prise que lorsque la tension est correcte.
- Pour déconnecter l'imprimante de l'alimentation principale, mettre l'imprimante hors tension et toujours débrancher le connecteur secteur de la prise murale.
- Ne pas exposer l'imprimante à des températures élevées, à la lumière directe du soleil ou à la poussière.
- Ne pas mettre l'imprimante en contact avec des liquides.
- Ne pas exposer l'imprimante à des chocs, impacts ou vibrations.
- S'assurer que l'imprimante et l'ordinateur sont hors tension avant de connecter le câble de données.
- La tête d'impression est brûlante pendant l'impression. C'est pourquoi laissez-la refroidir quelques instants avant d'y toucher.
- N'exécutez aucune opération ni action d'une autre manière que celle indiquée dans ce manuel. En cas de doute, veuillez contacter votre distributeur ou service après-vente.

Indicazioni di sicurezza importanti (Italian)

Prima di mettere in funzione la stampante, leggere attentamente le seguenti indicazioni.

Non eseguire mai da sé gli interventi di manutenzione e riparazione, ma rivolgersi sempre a un tecnico di assistenza qualificato.

- Conservare le presenti istruzioni per l'uso in un luogo sempre accessibile.
- Collocare la stampante su una superficie stabile, per evitare che cada a terra.
- Non collocare la stampante in prossimità di gas facilmente infiammabili o di sostanze esplosive.
- Collegare la stampante a una presa di corrente con tensione adeguata.
- Per scollegare la stampante dalla rete di alimentazione, spegnere la stampante e disinserire sempre il connettore di rete dalla presa.
- Non esporre la stampante ad elevate temperature né alla luce solare diretta e alla polvere.
- Evitare il contatto della stampante con liquidi.
- Non esporre la stampante a colpi, scosse o vibrazioni.
- Verificare che la stampante e il computer siano spenti prima di collegare il cavo di trasmissione dati.
- Durante la stampa, la testina si surriscalda notevolmente. Prima di toccarla, se necessario opportuno quindi lasciarla raffreddare qualche istante.
- Non eseguire alcuna operazione o azione se non nella maniera descritta nel presente manuale. In caso di dubbio, contattare il rivenditore o dalla società incaricata dell'assistenza.

Instrucciones de seguridad importantes (Spanish)

Lea las siguientes instrucciones con esmero antes de poner la impresora en servicio.

Nunca lleve a cabo trabajos de mantenimiento o reparación Ud. mismo, sino consulte un técnico de servicio calificado.

- Guarde las presentes instrucciones de servicio en un lugar de fácil acceso en cualquier momento.
- Ponga la impresora sobre una base estable de manera que no pueda caer al suelo.
- Nunca coloque la impresora en la vecindad de gases de fácil inflamabilidad o sustancias explosivas.
- Asegure conectar la impresora sólo a un enchufe con un voltaje correcto.
- Cuando quiera desconectar la impresora de la red, apague la impresora y siempre tire la clavija de alimentación del enchufe.
- No exponga la impresora a temperaturas altas, a la luz solar directa y al polvo.
- No ponga la impresora en contacto con fluidos.
- Nunca exponga la impresora a sacudidas, choques o vibraciones.
- Asegúrese de que la impresora y el ordenador estén apagados antes de conectar el cable de datos.
- La cabeza de impresión se pone muy caliente durante la impresión. Por lo tanto, deje enfriarlo algún tiempo antes de tocarla.
- No permita que se realice cualquier operación o acción de una forma diferente a lo que se señala en el manual. En caso de duda, póngase en contacto con su comerciante o con su servicio post-venta.

Правила по технике безопасности. (Russian)

Прочитайте, пожалуйста, инструкцию по технике безопасности перед включением в работу принтера.

- Не выполняйте технические работы и ремонт техники самостоятельно, но сообщайте о неисправностях квалифицированным сервисным техникам.
- Данная инструкция должна быть всегда доступна каждому пользователю.
- Установите принтер на ровном и стабильном месте так, чтобы он не смог упасть на пол.
- Ни в коем случае не ставьте принтер вблизи легко воспламеняющихся газов и взрывчатых веществ.
- Включайте принтер в розетку только с соответствующим напряжением.
- Если Вы хотите отключить принтер от напряжения, сначала выключите принтер сам и затем выньте штекер из розетки.
- Берегите принтер от нагревания, от попадания на него прямых солнечных лучей и пыли.
- Не допускайте попадания жидкости на принтер.
- Нельзя подвергать принтер тряске, ударам и вибрации.
- Убедитесь, что принтер и компьютер выключены, только после этого соедините принтер с компьютером.
- Печатающая головка нагревается во время работы принтера. Поэтому подождите какое-то время, прежде чем дотронуться до нее.
- Пользуйтесь принтером так, как это написано в документации. Если у Вас возникают неясности, обращайтесь с вопросами к Вашим продавцам или в сервисный центр.

Instruções Importantes sobre Segurança (Portuguese)

Leia as instruções de segurança antes de usar a impressora.

- Consulte sempre um técnico qualificado para executar uma reparação .
- Coloque a impressora sobre uma base sólida e nivelada, para que ela não sofra quedas.
- Jamais instale a impressora nas proximidades de lugares onde haja gás inflamável ou substâncias explosivas.
- Assegure-se de conectar a impressora à tomada elétrica com a voltagem apropriada.
- Quando desligar a impressora da rede, desligue sempre a impressora e retire o cabo da tomada.
- Não exponha a impressora a temperaturas altas ou luz solar direta.
- Não aproxime substâncias líquidas da impressora.
- Proteja a impressora de choques, impactos e vibrações.
- Desligue a impressora e o computador antes de conectar o cabo da rede.
- A cabeça da impressora pode ficar muito quente. Portanto, espere algum tempo antes de tocá-la.
- Não faça nenhuma operação ou ação além das recomendadas neste manual. Em caso de dúvida, contate seu revendedor ou companhia de serviço.

Önemli Güvenlik Talimatları (Turkish)

Lütfen, yazıcıyı işleme geçirmeden önce bu güvenlik talimatlarını bütünüyle dikkatle okuyun.

- Bakım ve tamir çalışmalarını kesinlikle ve hiçbir surette kendi başınıza yapmayın; her zaman kalifiye bir uzman servis-teknişyenine haber verin.
- Yazıcıyı, üzerinden yere düşmesini mümkün olmayacak sabit ve düz bir zemine yerleştirin.
- Yazıcıyı kesinlikle ve hiçbir surette kolayca yanabilecek gaz veya patlayıcı maddeler içeren nesnelere yakınına koymayın.
- Yazıcı kablolarını sadece doğru gerilime sahip bir prize takın.
- Yazıcıyı şebeke ağından ayırmak istediğinizde, yazıcıyı kapatın ve ağ-fişini her zaman prizden çıkartın.
- Yazıcıyı ne yüksek ısı ne de doğrudan güneş ışığına ve toza maruz kalan mekânlarda bulundurun.
- Yazıcı hiçbir sıvı maddeyle temasta olmamalıdır.
- Yazıcı hiçbir sarsıntıya, darbeye veya titreşime maruz kalmamalıdır.
- Veri kablosu bağlanmadan önce hem yazıcının hem de bilgisayarın kapalı olduklarından emin olmalısınız.
- Yazıcının başı basma esnasında yüksek ısıya ulaşıyor. Bu yüzden lütfen dokunmadan önce kısa süre soğumasını bekleyin.
- Yazıcının işletimi ve kullanımında bu dokümantasyondaki talimatların hiç dışına çıkmayın. Sorunlu görülen hususlarda lütfen imalatçınıza veya müşteri hizmetleri servisimize başvurun.

TRADEMARK ACKNOWLEDGEMENTS

"IBM" is a trademark of International Business Machines Corporation.

"EPSON" is a trademark of Epson America Incorporated.

"DEC" is a trademark of Digital Equipment Corporation.

"Centronics" is a trademark of Centronics Data Computer Corporation.

"DOS" is a trademark of Microsoft Corporation.

"SAP" is a trademark of SAP AG.

"Windows", "Windows7", "Windows95", "Windows98", "WindowsNT", "Windows2000", "Windows 2003/2008 Server", "WindowsXP" and "WindowsVista" are trademarks of Microsoft Corporation.

All other product names and company names appearing in this manual are the registered trademarks or trademarks of the individual companies.

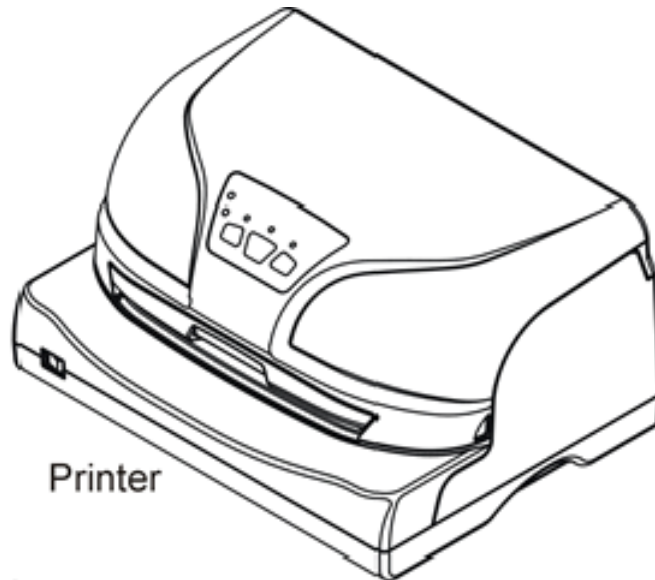
TABLE OF CONTENTS

1 UNPACKING GUIDE	1
PREPARE THE PRINTER	2
TRACTOR INSTALLATION	3
PLACING THE PRINTER	5
PRINTER COMPONENTS	6
2 SETTING UP PRINTER	7
INSTALL RIBBON	7
CONNECTING THE INTERFACE CABLE	10
CONNECTING THE MAINS POWER	11
INSTALLING THE WINDOWS DRIVER	12
3 PAPER INSTALLATION GUIDE	16
PAPER AND PRINTABLE AREA SPECIFICATION	16
INSERTING A CUT SHEET	19
INSERTING A PASSBOOK	20
TRACTOR FEED HANDLING	20
4 CONTROL PANEL OPERATION	21
OPERATING	21
LED AND SWITCH STATUS	22
FAILURE INDICATIONS	24
POWER ON FUNCTIONS	25
HEX DUMP	26
SETUP MENU	27
CHANGE CONFIGURATIONS	28
MENU CONFIGURATION (SAMPLE)	29
5 DEFAULT SETTINGS	30
SYSTEM SETUP	30
INTERFACE SETUP	30
CHARACTER SETUP	30
EMULATION SETUP	32
RESTORE FACTORY DEFAULT	32
6 MAINTENANCE	33
CLEANING	33
CLEANING AND VACUUMING THE PRINTER	33
7 TROUBLESHOOTING	34
PRINT QUALITY PROBLEMS AND SOLUTIONS	34
PAPER HANDLING PROBLEMS AND SOLUTIONS	35
OPERATING PROBLEMS AND SOLUTIONS	35

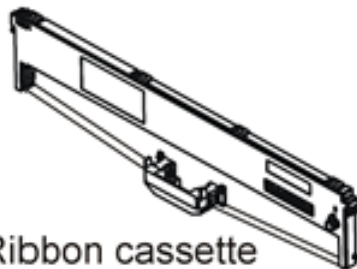
ERROR INDICATIONS ON LEDs.....	36
DIAGNOSTIC FUNCTIONS.....	37
FIRMWARE UPDATE.....	38
8 SPECIFICATION	39
9 INTERFACES	44
PARALLEL INTERFACE.....	44
USB INTERFACE.....	44
SERIAL INTERFACE.....	44
10 CHARACTER SETS & CODE PAGES	45
CHARACTERSETS.....	45
INTERNATIONAL CHARACTERSETS.....	47
INTERNATIONAL CHARACTERSET COMMANDS.....	47
CHARACTER TABLES.....	48
CODE PAGE COMMANDS.....	50
CODE PAGE TABLES.....	52
11 CONTROL CODES SUMMARY	76
EPSON EMULATION COMMAND LIST.....	76
IBM EMULATION COMMAND LIST.....	78

1 Unpacking Guide

- Place your packaged printer on a solid base.
- Make sure that the "Up" symbols point in the correct direction.
- Open the packaging, lift the printer out of the cardboard box and remove the remaining packaging material.
- Check the printer for any visible transport damage and missing items. If you find any transport damage or if any accessories are missing, please contact your dealer. The following items should be included:
 - Printer
 - Tractor pair assembly (for Tractor version)
 - Power cord
 - Ribbon cartridge
 - CD-ROM
 - Installation Guide



Printer



Ribbon cassette



Power cord



Installation Guide

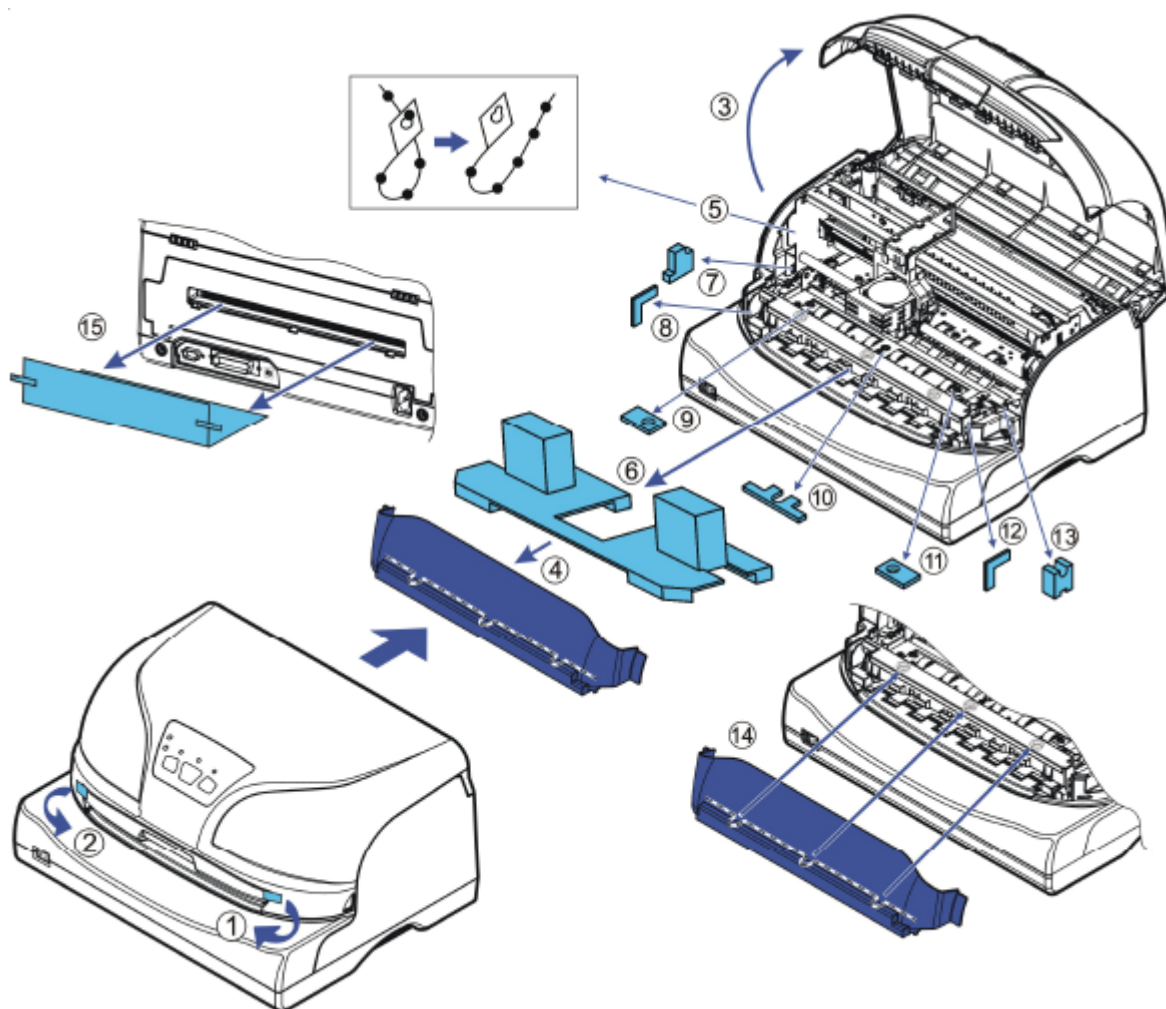


CD-Rom

Prepare the Printer

Remove the packaging materials from the printer as follows:

- 1-2: Remove all the visible tape from the outside of the printer.
- 3: Open the printer front cover.
- 4: Remove the transparent cover.
- 5: Remove the cable ties from the left and right ends of the carriage shaft.
- 6: Remove the shipping cardboard from around the print head.
- 7-13: Remove the shipping foams from around the chassis.
- 14: Install back the transparent cover.
- 15: Remove the shipping cardboard from the printer rear.
- 16: Install the tractor pair assembly (for Tractor version).

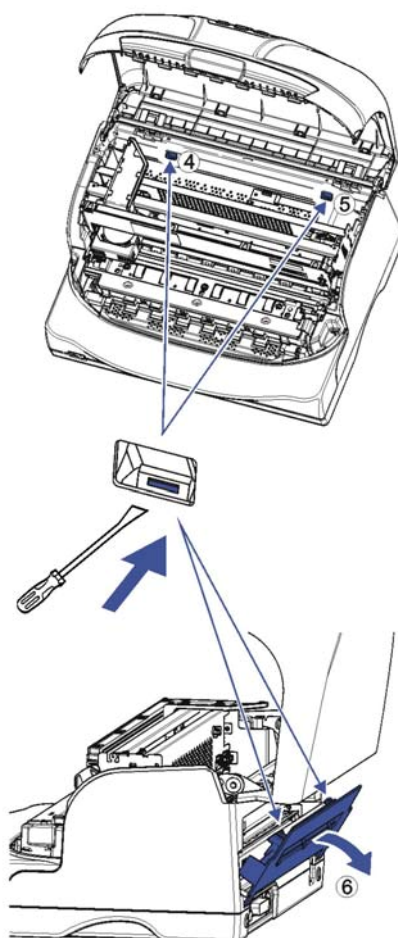


Tractor Pair Installation

If you want to use continuous fanfold paper, you have to install the tractor pair assembly. Before installing the tractor pair assembly, the printer rear cover must be removed first. Below instructions show how to install and remove both the printer rear cover and tractor pair assembly.

Removing and installing the printer rear cover:

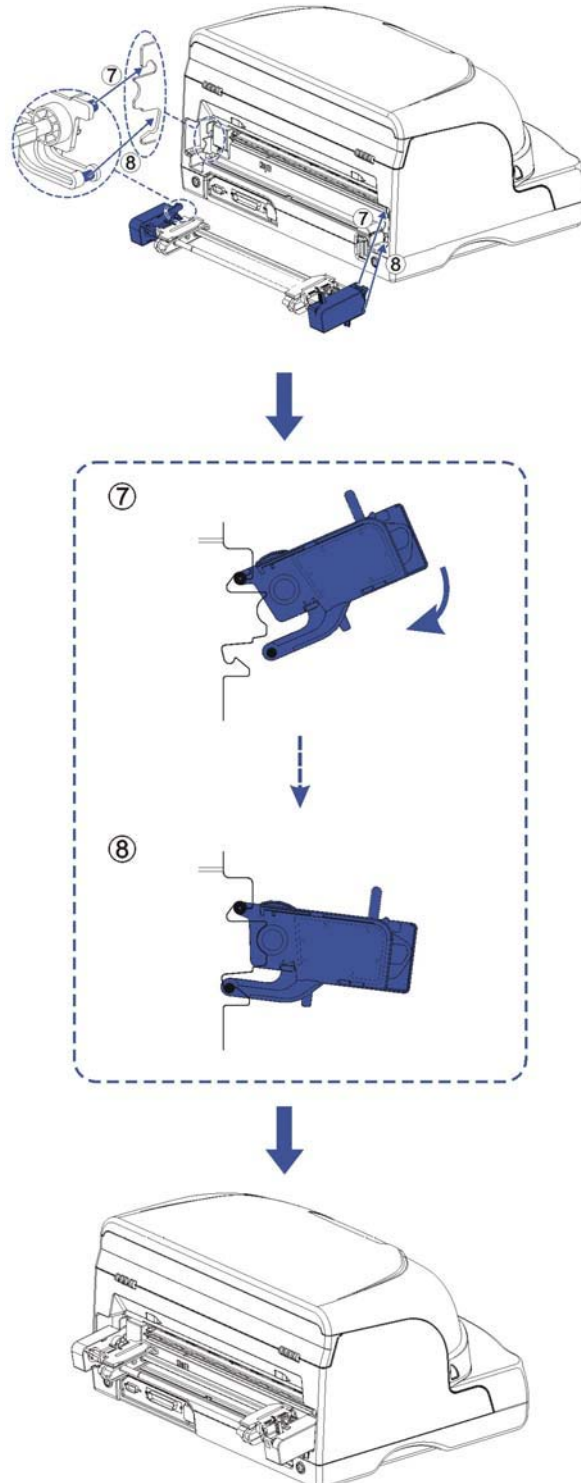
1. Ensure there is no loaded paper in the printer. Switch off the printer.
2. Open the printer top cover, move the print head with care to the left. Attention: The print head could be very hot if printing had just been performed, so be careful when touching the print head.
3. Use a flathead screwdriver or similar tool to insert into the latches at "4" and "5", apply downward pressure to release the lock. Remove the rear cover "6" from the back of the printer. Close the printer top cover.
4. Installing the printer rear cover is the reverse of the removal process. First, align the latches of the rear cover at the back of the printer. Next, use your thumbs to press the rear cover steadily and firmly towards the printer. The "4" and "5" latches should snap on. When the installation is done correctly, the rear cover should be flat against the back of the printer.



Tally Dascom 5130P

Installing and removing the tractor pairassembly:

1. To install, first insert the upper cylindrical fingers at both ends of the tractor assembly into the metal frame at the back of the printer (see picture "7"). Tilt the tractor assembly downwards, and use your index fingers to push the lower cylindrical fingers at both ends slightly upwards until they are mounted at the bottom of the printer metal frame (see picture "8").
2. To remove, use your fingers to grip both ends of the tractor assembly, tilt up and pull to release it from the printer metal frame.



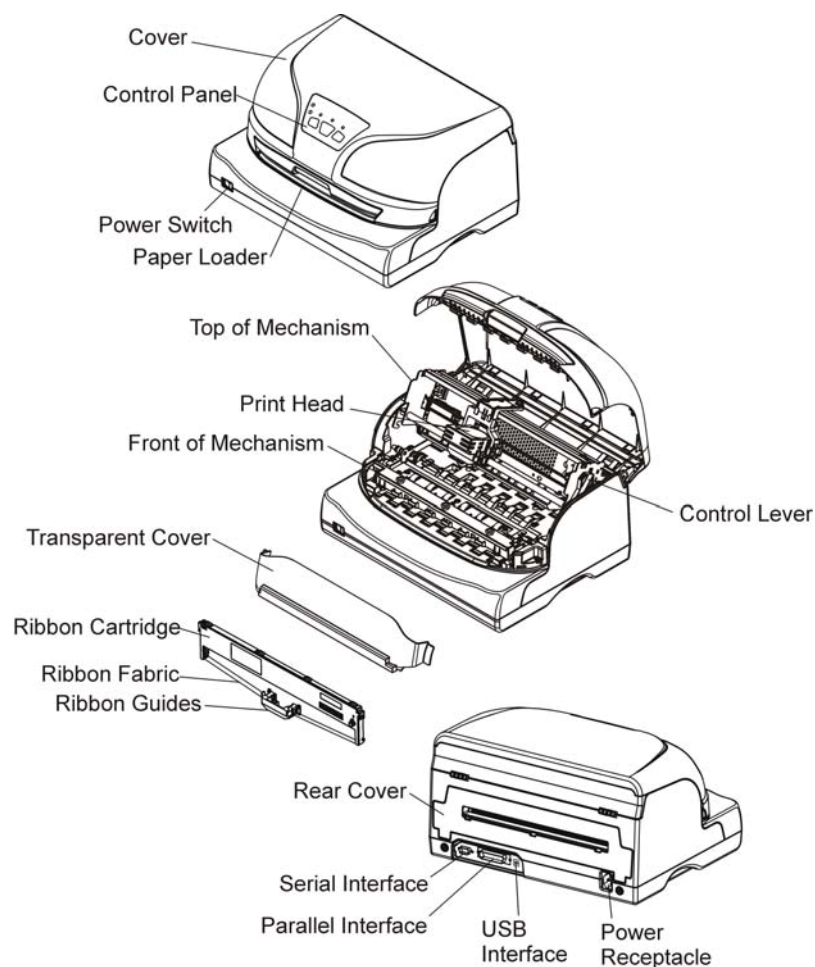
Placing the Printer

Place the printer on a solid, flat, stable surface; ensuring that the printer is positioned in such a way that it cannot move, and that there is easy access to the control panel and paper input devices. Also ensure that there is enough space for sufficient ventilation and for the printed output.

When selecting the printer location, observe the following additional instructions:

- Never place the printer near to any flammable gas or explosive substances.
- Do not expose the printer to direct sunlight. If you cannot avoid placing the printer near a window, protect it from the sunlight with a curtain.
- When connecting a computer to the printer, make sure the maximum recommended cable length is not exceeded.
- Ensure sufficient distance between the printer and any heating devices/radiators.
- Avoid exposing the printer to extreme temperature or air humidity fluctuations. Avoid exposure to dusty environments.
- It is recommended the printer is installed in a position which reduces noise exposure to the work place during printing.

Printer Components

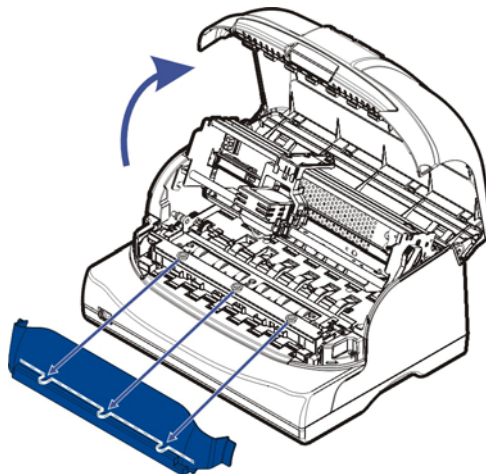


Component	Function
Control Lever	Lift up the top of mechanism to install or remove ribbon
Paper Loader	Paper feed path for single sheet and passbook.
Print Head	24-pin printing mechanism
Cover	Protects printhead and other components inside, and reduces noise.
Control panel	Shows printer status, and for printer setup
Power switch	Power printer ON or OFF
Ribbon cartridge	Contains the ink to print on the media
Ribbon guides	For guiding ribbon installation on print head
Power receptacle	Connects power cord to the printer
Serial interface	Connects serial interface cable from the host
Parallel interface	Connects parallel interface cable from the host
USB interface	Connects USB interface cable from the host

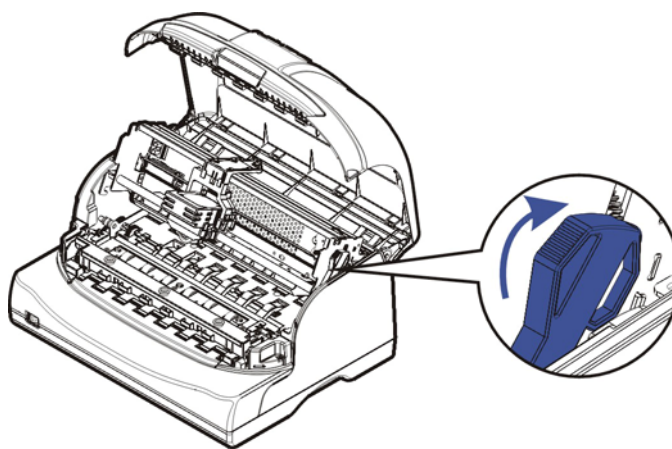
2 Setting Up Printer

Install Ribbon

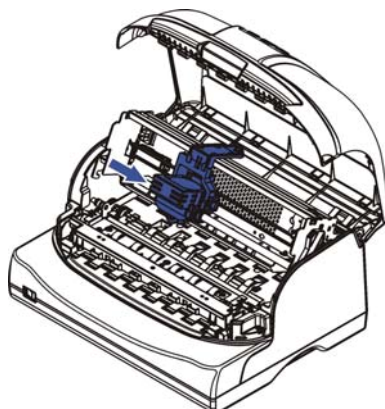
1. Ensure the power to the printer is off.
2. Press the recesses of both sides to open the cover. Remove the transparent cover.



3. Push the control lever to lift up the top of mechanism, and make sure the control lever is set to the latched position.

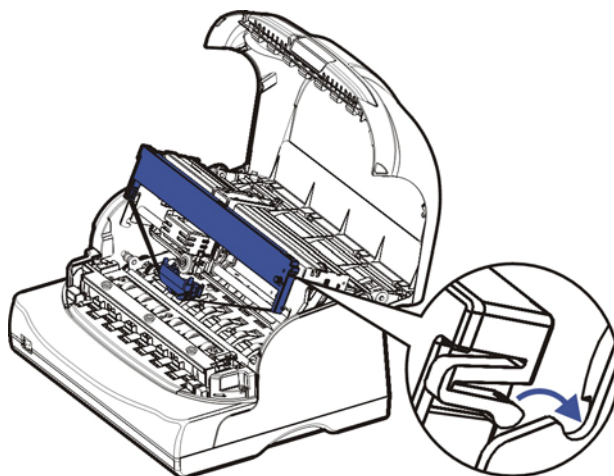


4. Move the printhead to the center of the carriage.

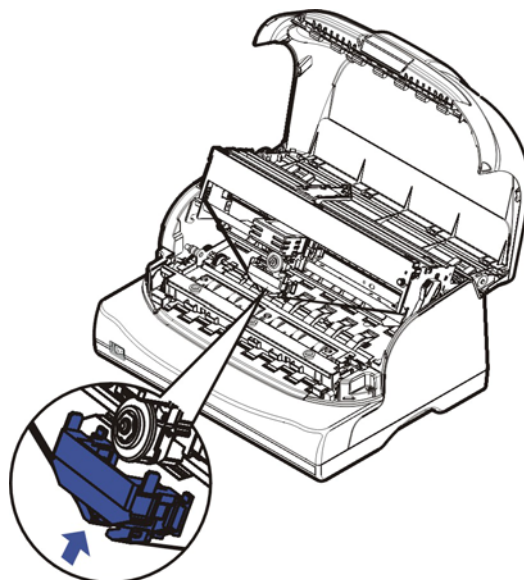


Tally Dascom 5130P

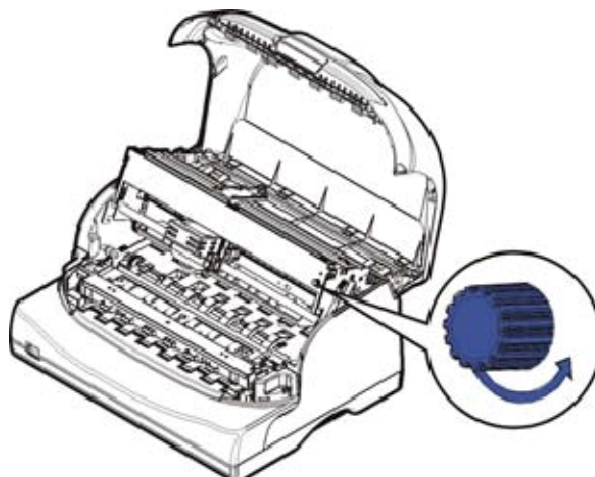
5. Install the recess positions on the ribbon cartridge into the printer mounting, and push both sides of the ribbon cartridge to ensure they click into position.



6. Press the ribbon guides onto the print head from underneath until they click into position.

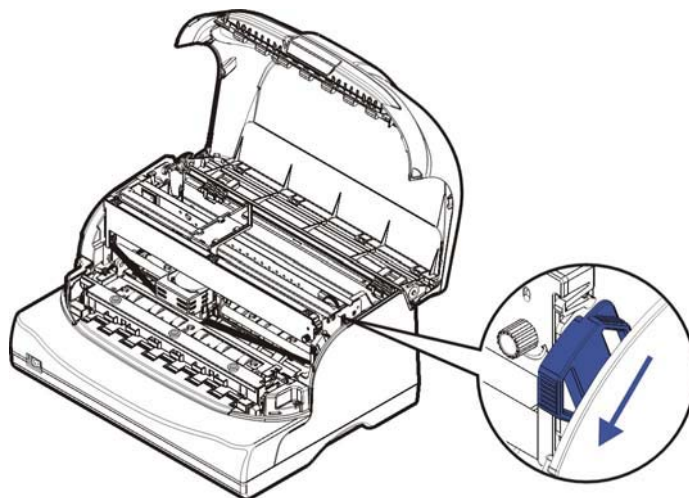


7. Turn the ribbon knob until the ribbon fabric is taut. Move the carriage left and right to ensure the carriage and ribbon fabric can move smoothly.

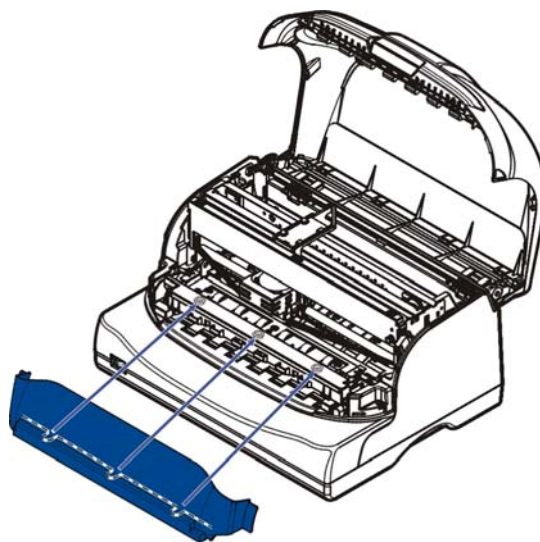


Tally Dascom 5130P

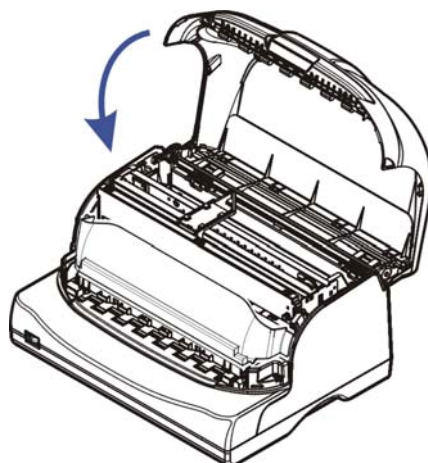
8. Pull down the control lever to set the top of mechanism to its original position, and make sure the control lever is fully latched.



9. Install back the transparent cover to reduce noise.



10. Close the cover carefully. When the printer is in operation, ensure the cover is closed to keep the dust away and minimize the noise level. Open the cover only for cleaning, clear paper jam or ribbon replacement.



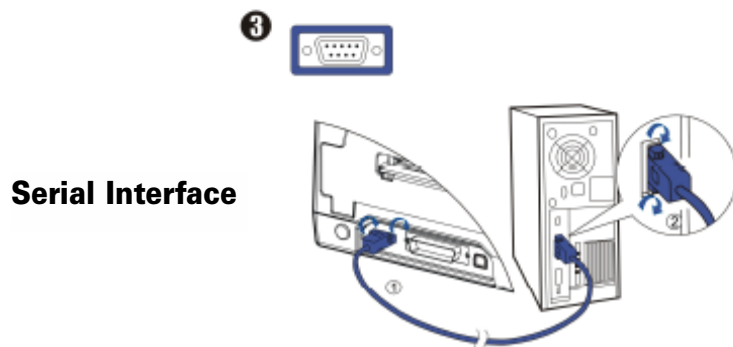
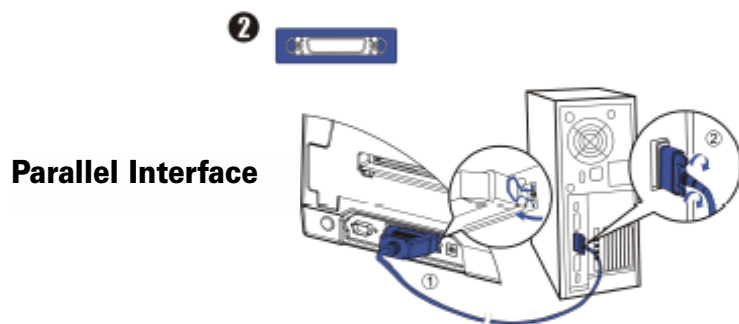
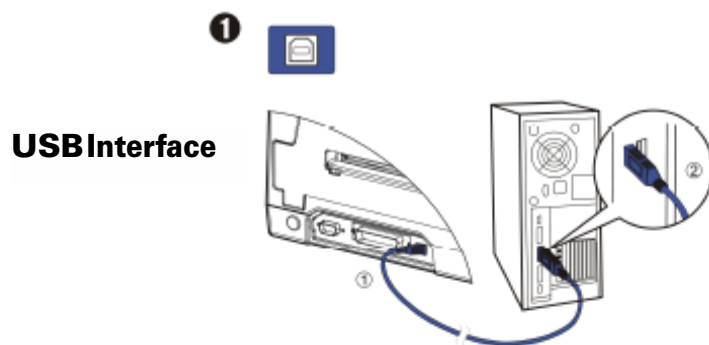
Tally Dascom 5130P

Notes on RibbonCartridge Removal:

1. Eject any paper loaded in the printer.
2. Turnoff the printer power.
3. Open the front cover.
4. Move the carriage to the middle. Be carefulnot to touchthe print headif printing hadjust been performed, as the print head may be hot.
5. Removethe blueribbon guidesfrom the printhead.
6. Use fingersto take holdof the ribbon cartridge firmly, and pullthe cartridge towardsyou to unlatch it.
7. Removethe ribbon fabricfrom the print headcarefully without entangling it.

Connecting the Interface Cable

The parallel, serial and USB interface ports are located at the rear of the printer. Choose the interface which suits your system. **IMPORTANT:** Make sure the printer and the computer are switched off before connecting or disconnecting the interfacecableto preventelectrical damage to the interfaceports.



Connecting the Mains Power

Checking the printer voltage

Make sure that the device has been set according to your country's power supply voltage. To do this, check the rating plate at the back of the printer. Contact your dealer if the setting is incorrect.



Never switch on the printer if the voltage setting is incorrect; this may result in electrical damage to the printer.

1. Make sure the printer and the computer are powered off.
2. Connect the power cord to the power receptacle at the back of the printer, as shown as below. Ensure the power cord is securely connected. Connect the power cord plug to a mains socket.



3. Press the power switch to the "I" position to power on the printer. Upon power-on, all the five LEDs light up briefly. After initialization, only the "ON" LED should light up.
4. Press the power switch to the "O" position if you wish to switch off the printer.

NOTE:

- After switching off the printer, wait at least 5 seconds before switching on again. Otherwise, it may cause damage to the printer.
- Disconnect the power cord if the printer is not used for a long time.

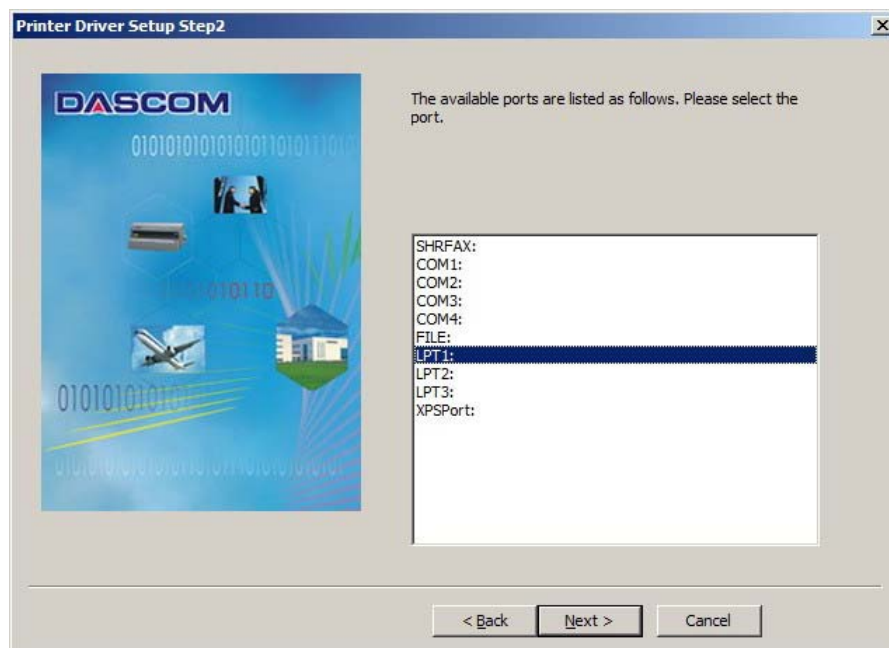
Installing the Windows Driver

(Compatible with Windows 2000/2003/2008 Server/XP/Vista/7)

1. Your printer CDROM comes with Windows drivers. Go to the Drivers folder and run the Installer "DriverSetup.exe". You will see the screen below. Click "Next" to continue.

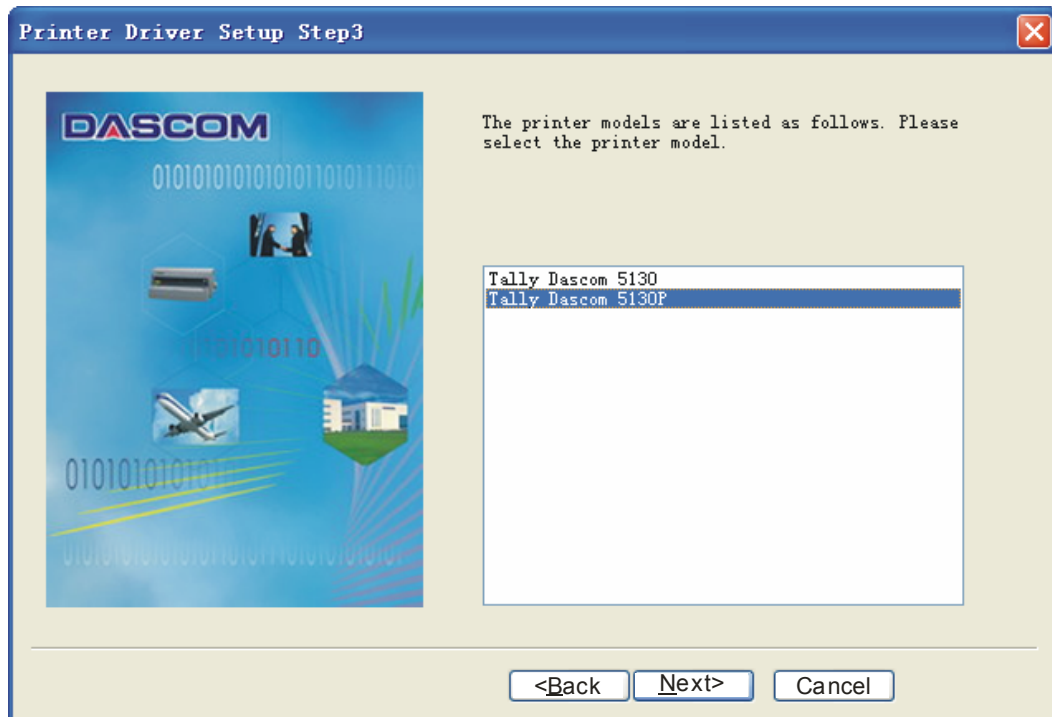


2. A list of ports available on your system will be displayed as shown below. Choose the desired port to use. Click "Next" to continue.

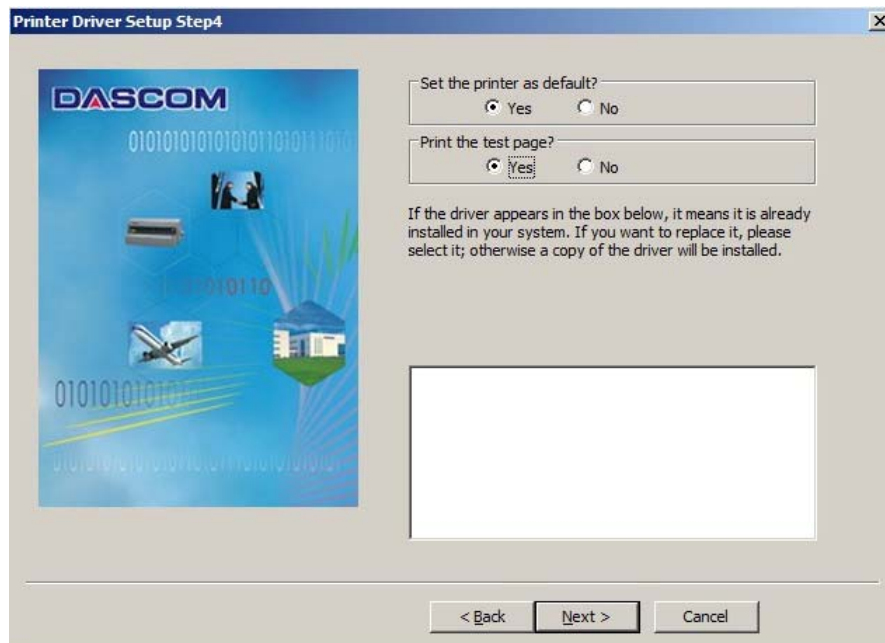


Tally Dascom 5130P

3. Select the desired printer model as shown below. Click "Next" to continue.

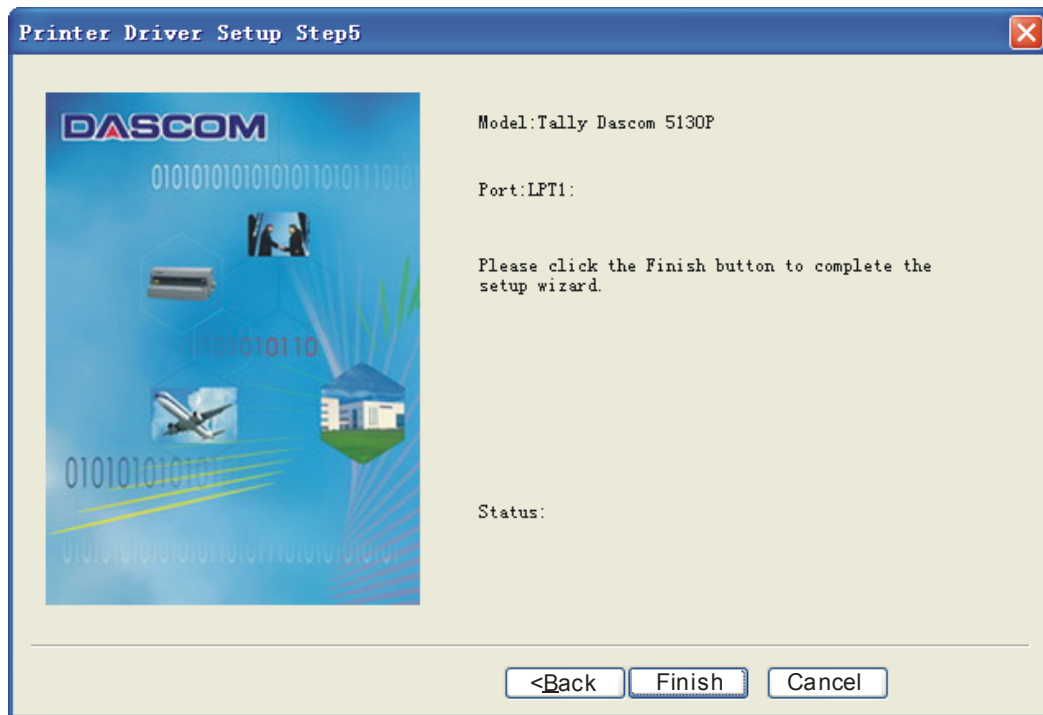


4. Here you can choose whether to set the driver as the system default driver, and whether you want to print the Test Page after installation is completed. If the driver had been installed before, it would be listed in the white box below. Select the listed driver (if any) if you want to replace it; otherwise a copy of the driver will be installed. Click "Next" to continue.



Tally Dascom 5130P

5. Click "Finish" to start the installation process.

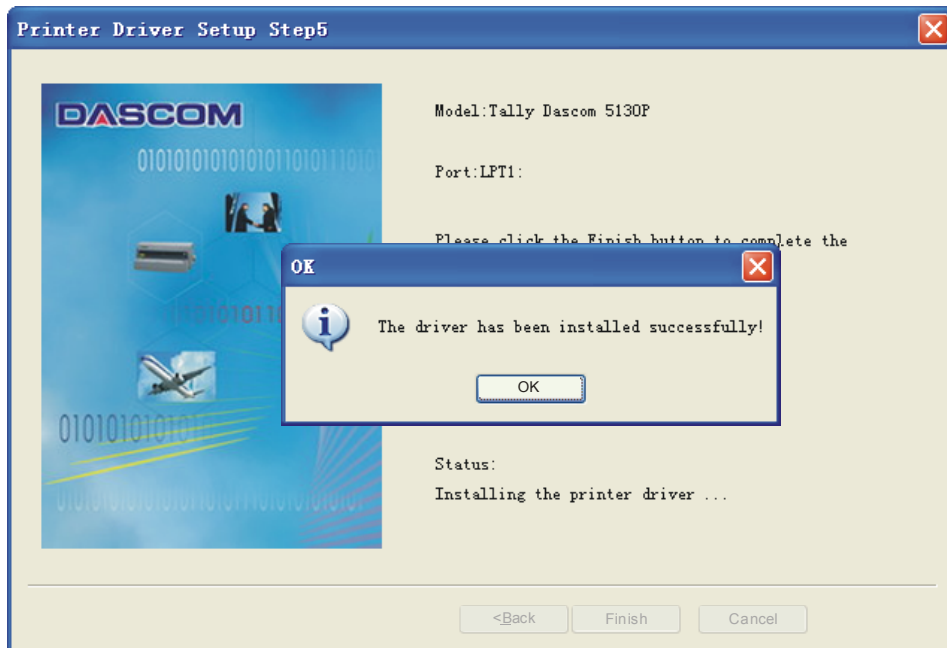


6. If you encounter the message below, click "Continue Anyway". Please check our website www.dascom.com for the latest certified drivers.



Tally Dascom 5130P

7. After installation is completed successfully, you will see the message below.



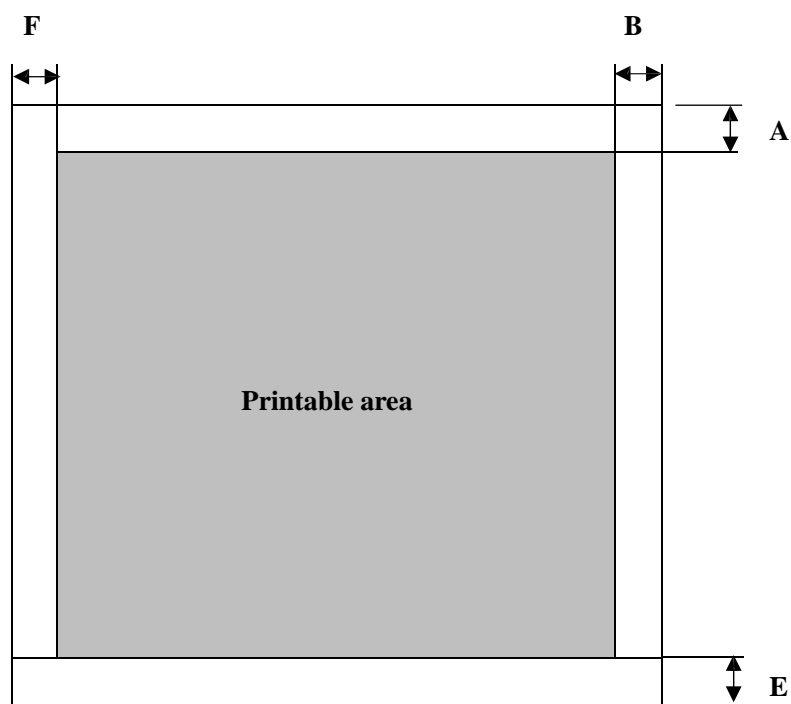
3 Paper Installation Guide

Paper and Printable Area Specifications

The printer can handle following forms:

- 1) Cut sheet papers and slips
- 2) Passbooks
- 3) Multipart carbon papers up to 1+3 copies
- 4) Continuous fanfold paper (for Tractor version)

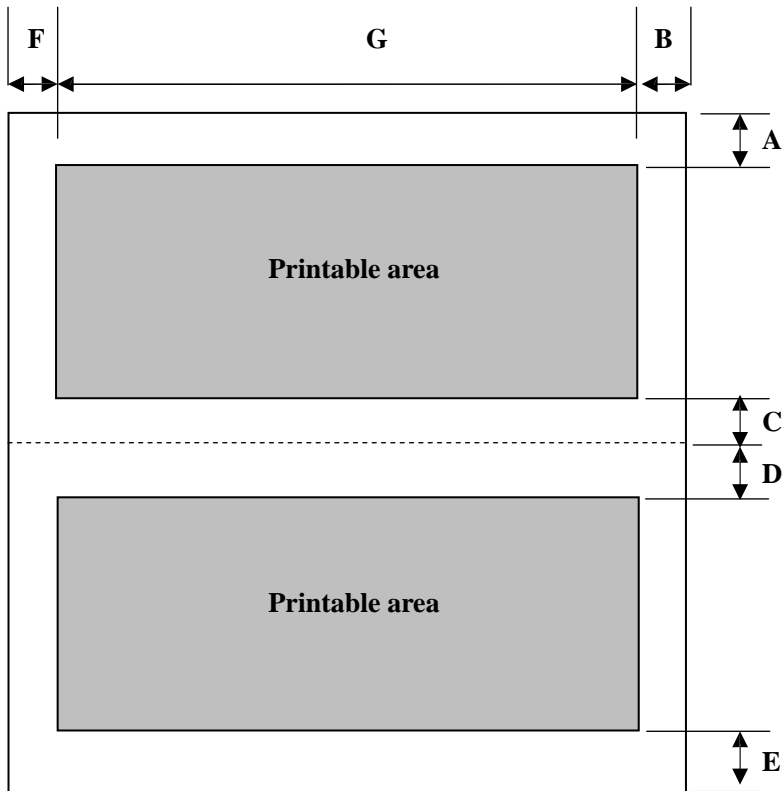
Cut sheet



Printable area of cut sheet

Position	Dimension	Definition
A	4.23 mm +2/-0 mm	Top margin
B	3.12 mm +2/-1 mm	Right margin
E	5 mm +2/-0 mm	Bottom margin
F	3.12 mm +2/-1 mm	Left margin

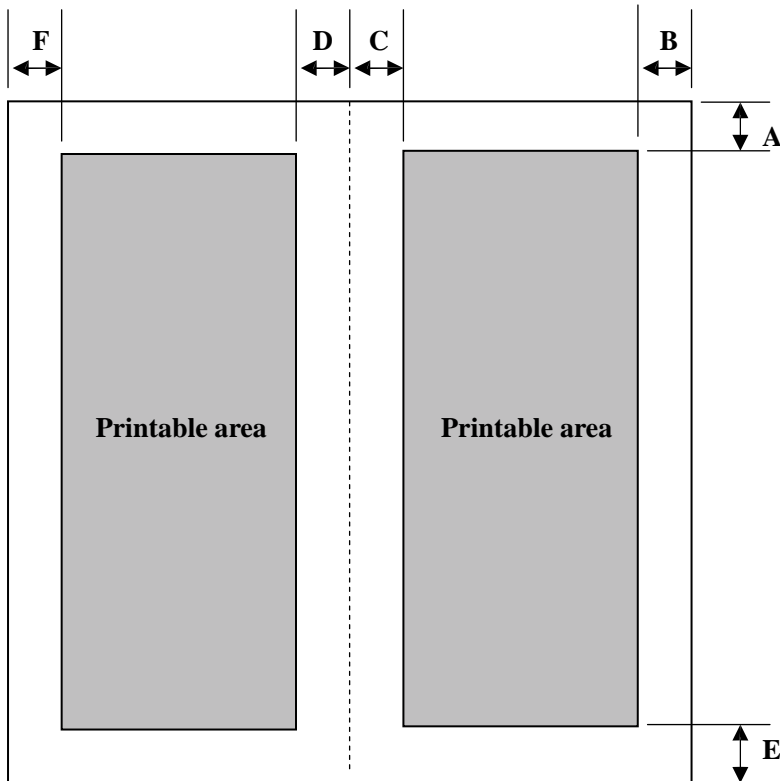
Passbook with horizontal seam



Printable area of passbook with horizontal seam

Position	Dimension	Definition
A	5 mm +2/-0 mm	Top margin
B	5 mm +2/-1 mm	Right margin
C	5 mm +2/-0 mm	Center margin
D	5 mm +2/-0 mm	Center margin
E	5 mm +2/-0 mm	Bottom margin
F	5 mm +2/-1 mm	Left margin

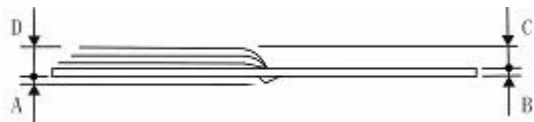
Passbook with vertical seam



Printable area of passbook with vertical seam

Position	Dimension	Definition
A	5 mm +2/-0 mm	Topmargin
B	5 mm +2/-1 mm	Rightmargin
C	5.2mm +2/-0 mm	Center margin
D	5.2mm +2/-0 mm	Center margin
E	5 mm +2/-0 mm	Bottommargin
F	5 mm +2/-1 mm	Leftmargin

Passbook thickness



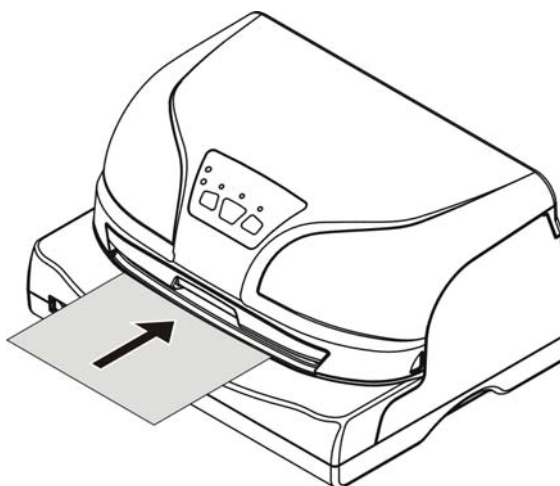
Position	Dimension	Definition
A	Max 0.5	Cover page height
B	0.2-0.5	Cover pagethickness
C	Max 1.4	Step
D	Max 2.8	Passbookthickness

Note:

- (1) Make sure the cover is closed when operating the printer, as there is a cover open detect sensor.
- (2) Do not load media that is curled or folded.
- (3) Do not use media that attaches any metal, such as staple.
- (4) Do not load passbook that is damaged, wrinkled or with loose centre seam.
- (5) Do not use passbook that has sticky glue.
- (6) Do not use passbook in which the inner pages are smaller than cover pages.
- (7) Print on the inner pages of the passbook only. Do not print on the cover pages.
- (8) Flatten the passbook before printing for better reliability.

Inserting a cut sheet

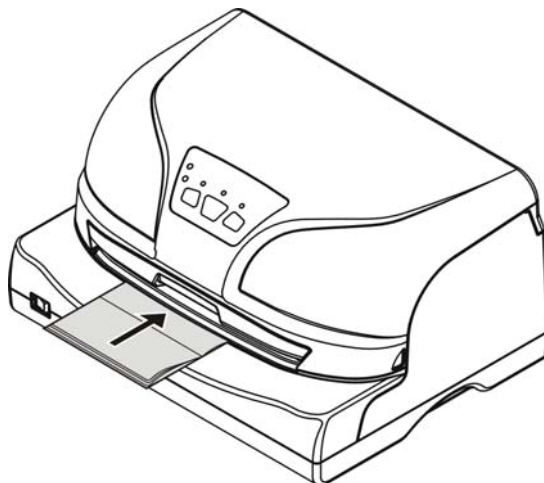
1. Power on the printer. After initialization, only the "ON" LED should remain on.
2. With printable side facing up, insert a paper into the paper loader until the edge of the paper engages snugly with the platen. The paper should advance automatically to the print position. Now the printer is ready to print as shown in the following figure.




When using a cut sheet, the paper eject direction can be selected in the configuration setting. There are two directions: front and rear.

Inserting a passbook

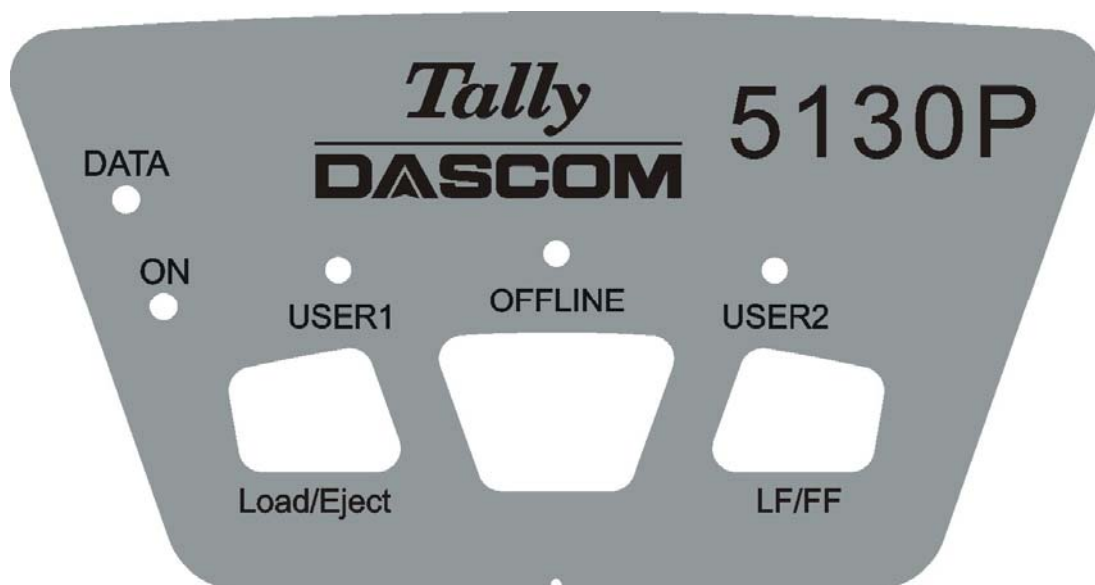
1. Power on the printer. After initialization, only the "ON" LED should remain on.
2. While pressing the center seam and with printable side facing up, insert a passbook into the paper loader until the edge of the passbook engages snugly with the platen. The passbook should advance automatically to the print position. Now the printer is ready to print as shown below.



Tractor Feed Handling (for Tractor version)

1. Move the paper-feed lever to "  " for continuous paper position.
2. Raise the tractor doors and fit the first 3 paper holes onto the left tractor pins. Close the left tractor door. In the same way, install the paper on the right tractor.
3. Adjust the right tractor to the width of the paper until the paper is flat. Do not stretch the paper too taut. Push the right lock lever down to secure the right tractor in place.
4. Press the **【Load/Eject】** key to load the paper to the starting print position. The printer is now ready to print in the online state.

4 Control Panel Operation (Tractor version)



	Labeling
L1	DATA
L2	ON
L3	Shared with S1 top label
L4	Shared with S2 top label
L5	Shared with S3 top label
S1	Top: USER1 ; Bottom: Load/Eject
S2	Top: OFFLINE ; Bottom: -
S3	Top: USER2 ; Bottom: LF/FF

On the controlpanel are:

Threekeys: **USER1**, **OFFLINE** and **USER2**

Five LEDs: **DATA**, **ON**, **USER1**, **OFFLINE** and **USER2**.

ON LED colour is green while the others are orange.

The meaning and application of each key and LED are described below.

Tally Dascom 5130P

Operating State

Upon power-on, L1~L5 turn on briefly. After initialization, only L2 remains ON. In the Operating State, the LED indications and switch functions vary with Online/Offline modes and emulations.

LEDs and Switches

	ON	OFF	BLINK
L1	Data in buffer	<i>Buffer empty</i>	Data being received from host
L2	Power on	Power off	Paper in tear position
L4	Offline	Online	---
L3	User 1 selected	User 1 not selected	Paper still detected after eject
L5	User 2 selected	User 2 not selected	---
OFFLINE	Toggles online / offline		

USER1	<p><u>Online mode</u></p> <p>Single sheet path selected:</p> <ul style="list-style-type: none">- If paper is loaded from the front, pressing this key will eject the paper. Paper eject direction depends on configuration setting.- If paper is loaded from the Tractors, pressing this key will not have any effect.- If paper is not loaded, pressing this key will not have any effect (since paper from the front will auto-load). <p>Tractors path selected:</p> <ul style="list-style-type: none">- If paper is loaded from the Tractors, pressing this key will park the paper.- If paper is not loaded, pressing this key will load paper from the Tractors.- If paper is loaded from the front, pressing this key will not have any effect. <p><u>Offline mode</u></p> <p>Single sheet path selected:</p> <ul style="list-style-type: none">- If paper is loaded from the front, pressing this key will not have any effect.- If paper is loaded from the Tractors, pressing this key will not have any effect.- If paper is not loaded, pressing this key will not have any effect (since paper from the front will auto-load). <p>Tractors path selected:</p> <ul style="list-style-type: none">- If paper is loaded from the Tractors, pressing this key will present paper to the tear position. L2 will blink.- If Tractors paper is in tear position, pressing this key will move paper back to print position. L2 will be on.- If paper is loaded from the front, pressing this key will not have any effect.- If paper is not loaded, pressing this key will have no effect.
--------------	---

USER2	<u>Online Mode</u>
	Single sheet path selected: <ul style="list-style-type: none"> - If paper is loaded from the front, pressing and releasing this key will feed paper one line forward. If key is pressed down for more than 1 sec, printer will eject the paper. Paper eject direction depends on configuration setting. - If paper is loaded from the Tractors, pressing this key will not have any effect. - If paper is not loaded, pressing this key will not have any effect.
	Tractors path selected: <ul style="list-style-type: none"> - When paper is loaded from the Tractors, pressing and releasing this key will feed paper one line forward. If key is pressed down for more than 1 sec, the printer will perform a form feed. - When paper is not loaded, pressing this key will not have any effect.
	<u>Offline Mode</u>
	Single sheet path selected: <ul style="list-style-type: none"> - Pressing this key will not have any effect.
	Tractors path selected: <ul style="list-style-type: none"> - If paper is loaded from the Tractors, pressing this key will park the paper. - If paper is loaded from the front, pressing this key will have no effect. - If paper is not loaded, pressing this key will have no effect.

Self-Diagnostics and Failure Indications

At power-on besides a general reset, the printer runs self-diagnostics to check the conditions of critical components. Upon the successful completion of the self-diagnostics, the printer switches to the **online state with at least L2 and L4 = ON** for all emulations.

Failures	Beep	L1	L2	L3	L4	L5
No power / Power supply failure	---	OFF	OFF	OFF	OFF	OFF
PE (Paper Error)	1	OFF	ON	OFF	BLINK	OFF
Paper jam	1	BLINK	BLINK	BLINK	OFF	OFF
Head overheat	---	OFF	ON	OFF	BLINK	OFF
Hex Dump	---	ON	ON	ON	BLINK	ON

For other combinations please contact your dealer or Technical Service.

Tally Dascom 5130P

Power-On Functions with Cover Open

USER1	OFFLINE	USER2	Utilities	Remarks
X	X		BOOT or Firmware Upgrade	L1&L2 blink alternatively.
X			Self Test	Print Font- and Codepage test page
	X		Self Test	Endless running ASCII TREE
		X	Self Test	Configuration test page with menu settings
	X*		Suspend cover open detection	*Press OFFLINE after power on. The printer resets and goes online.

Firmware Update

With the cover open, hold **USER1** and **OFFLINE** at power-on to activate the Firmware Upgrade process. In DOS mode, type COPY /B firmware-file LPT1: [Enter] to transfer new firmware to the printer. It takes a few minutes for completion. Then the printer resets and goes to online.

Power-On Functions with Cover Closed

USER1	OFFLINE	USER2	Utilities	Remarks
X			Self Test	Print Font- and Codepage test page
	X		Self Test	Endless running ASCII TREE
		X	Self Test	Configuration test page with menu settings
X		X	Setup ● Language selection	See Fig 2 for Setup dialogs orientation. In native languages.

			<ul style="list-style-type: none"> ● Enable/Skip listing of current settings ● System Setup ● I/F Setup ● ESC/P2 Emulation ● IBM X24 Emulation ● Restore Factory Defaults 	
X	X		Hex-Dump	

Self-Test (Font and Codepage Test Page)

With the cover closed, hold **USER1** at power-on till the printer resets to activate the Self-Test. Single mode: Load an A4 to start the self-print.

Tractors mode: Paper will auto load and start print.

The format of Self-Test follows 1xxx format :Print Font- and/or Codepage test page

Self-Test (Endless Running ASCII Tree)

With the cover closed, hold **OFFLINE** at power-on till the printer resets to activate the Self-Test. Load an A4 to start the self-print.

Single mode: Load an A4 to start the self-print.

Tractors mode: Paper will auto load and start print.

The format of Self-Test follows 1xxx format: Endless running ASCII (tree form)

Self-Test (Configuration with Menu Settings)

With the cover closed, hold **USER2** at power-on till the printer resets to activate the Self-Test.

Single mode: Load an A4 to start the self-print.

Tractors mode: Paper will auto load and start print.

L1 and L2 light up.

The format of Self-Test follows 1xxx format: Logo, model, FW+CG versions, head integrity, and current configurations

Hex Dump

- 1) With the cover closed, hold **USER1** and **OFFLINE** at power-on. L2 is on; L3 and L5 are blinking. The printer resets and turns off L3 and L5 to indicate the activation of Hex Dump.
- 2) Hex Dump format is same as 1xxx.
- 3) Terminate Hex Dump by switching off the printer.

Setup Menu

With the cover closed, holding **USER1** and **USER2** at power-on brings up the Setup Menu. The printer **resets** and **L1~L2=ON** and waits for paper insertion.

All printed dialogs in the Setup Menu are viewed in up-right orientation as in Fig. 2. [NOTE: 1xxx dialog is up side down when viewed by users.]

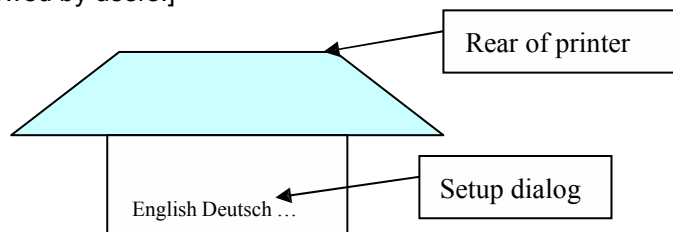
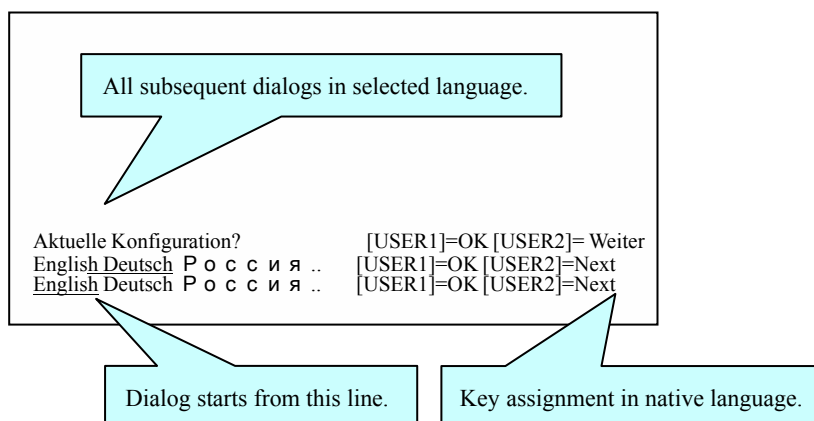


Fig.2---Setup dialogs in *up-right* orientation viewed by operators.

Language Selection

(This feature is not supported in all models)

- 1) List out all languages in native characters and underline the tentative language. Assign **USER1**=OK and **USER2**=Next. Fig. 3 illustrates the operation of language selection.
- 2) Advance the page for preview and wait for key press. Retract the paper for printing.
- 3) Each pressing of **USER2** repeats 1~2.
- 4) Once the language is selected, subsequent dialogs are prompted in the selected language.



Enable/Skip Listing Current Configurations

The termination of language selection immediately prompts the "Print current configurations?" This allows or skips the listing of current configurations before going into parameters setting. **USER1** prints the listing and **USER2** skips the listing.

Contents of the listing: Current configurations for **Menu1** and **Menu2**.

Tally Dascom 5130P

Configuration Profiles

The termination of Listing Current Configuration brings the Edit Profile menu.

Successive pressing of **USER2** scrolls out remaining choices, highlighted in **brown**.

Edit Profile: Menu1 **Menu2** Restore Factory Defaults [USER1]=OK [USER2]=Next

*NOTE: Menu1 and Menu2 cannot assign the same I/F.
Menu1=Profile for **USER1**; Menu=Profile for **USER2**.*

How to Change Current Configurations

The configuration (emulation, I/F and so on) for each profile is carried out in a Q&A session with the below keys assignment. The same key assignment applies universally to the offspring of individual menu.

Keys for Setup

[USER1]=OK [USER2]=Next [OFFLINE]=Exit

*“OK” implies accepting the latest printed item (a menu selection or a parameter)
“Next” requests for printing next item
“Exit” immediately leaves the current menu or parameter setting*

In parameters menus, the press of **OFFLINE** prompts: Save setting? **OK**

Press **USER1** to save the settings *collectively* with a beep.

Press of **USER2** appends a “NO” to the “OK”; then press **USER1** to exit without saving.

Configuration Menu (Sample)

Tally		
DASCOM		
**** Tally Dascom 5130P Firmware: Beta09_T03 CG:1.00 BOOT:1.00 ****		
Pin	1 2 3 4 5 6 7 8 9 10 11 12 13 14 15 16 17 18 19 20 21 22 23 24	
Test	_ _	
Current Configurations		
Common	Menu1	
Change Menu	Menu1	
	Menu2	
System Setup	ESC/P2	IBM
Emulation	No	No
Buzzer	No	No
Line Wrap Around	No	No
Media	Passbook	Passbook
Auto CR	Yes	Yes
Auto LF	No	No
Thick Mode	No	No
I/F Setup	USB	Parallel
Interface	30s	30s
Auto IF Delay	9600	9600
Baud Rate	8	8
Data Length	1	1
Stop Bit	None	None
Parity	Xon/Xoff	Xon/Xoff
Protocol	Yes	Yes
I-PRIME	No	No
CX-BID		
Character Setup	No	No
Ultra	No	No
HS-Draft	Yes	Yes
NLQ	Draft	Draft
Font	12CPI	10CPI
Pitch	0	0
Zero	USA	USA
Int'l Char Set	Table 437	Table 437
Code Page	Graphic Table	Graphic Table
Character Table	Set2	Set2
IBM Set1/2	94	90
CPL	17.1	16.6
Condensed Pitch		
ESC/P2 Emulation	Auto	Auto
Print Dir	Front	Front
Paper Eject	No	No
Continuous print		
IBM Emulation	No	No
AGM(X24)	Yes	Yes
Auto Load	No	No
Reset After Eject	12	12
Form Length	No	No
TOF IBM-PP LIKE	No	No
BOF IBM-PP LIKE	No	No

5 Default Settings

System Setup

System Setup	Valid Setting	Menu1 (Default)	Menu2 (Default)
Emulation	Epson, IBM	Epson	IBM
Buzzer	Yes, No, PE off	No	No
Line Wrap Around	Yes, No,	No	No
Media	Passbook, Multi-part, Thin Form	Passbook	Passbook
Auto CR	Yes, No,	No	No
Auto LF	Yes, No,	No	No
Thick Mode	Yes, No	No	No

Note1: Passbook: normal impact strength for PB/Slip.

Multi-part=stronger impact. Thin Form=Slow feeding to avoid paper crumble.

I/F Setup

I/F Setup	Valid Setting	Menu1 (Default)	Menu2 (Default)
Interface	Parallel, Serial, USB	USB	Parallel
Auto I/F Delay	10s, 30s	30s	30s
Baud Rate	38400, 19200, 9600, 4800,2400, 1200	9600	9600
Data Length	8, 7	8	8
Parity	None, Odd, Even	None	None
Protocol	DTR, XON/XOFF	XON/XOFF	XON/XOFF
I-PRIME	Yes, No	Yes	Yes

Character Setup

Character Setup	Valid Setting	Menu1 (Default)	Menu2 (Default)
Ultra	Yes, No	No	No
HS-draft	Yes, No	No	No
NLQ	Yes, No	Yes	Yes
Font	Draft, Bank draft, Roman, Sans Serif, Courier, Prestige, Script, OCR B, OCR A, Orator, Gothic, Souvenir	Draft	Draft
Pitch (cpi)	10*, 12*, 15, 16.6, 17.1,20,24,PS	12CPI	10CPI
Zero	0, Ø	0	0
Int'l Char	USA, France, Germany, UK, Denmark,	USA	USA

Tally Dascom 5130P

Set	Sweden, Italy, Spain, Japan, Norway, Denmark II, Spain II, Latin AM, Korea, Legal		
Code Page	Table 437, New-437, Table 737, 775 Baltic, Table 850, New-Dig 850, Table 851, Table 852, Table 857, Table 858, Table 860, Old-Code 860, Table 861, Table 863, Flarro 863, Table 864, 864 Extended, Farsi, Urdo, Table 865, 865 Hebrew, Table 866, 866 Bulgaria, 866 Ukraine, 866 Kazakhst, Kamenicky, Mazovia, Siemens Turk, DEC Turkish, Table 1250, Table 1251, Table 1252, Table 1253, Table 1254, Table 1257, ISO 8859-1, ISO 8859-1 SAP, ISO 8859-2, ISO 8859-5, ISO 8859-7, ISO 8859-9, ISO 8859-15, ELOT 928, BRASCII, Abicomp, Roman 8, US ASCII, UK ASCII, French, German, Italian, Swedish, Norwegian, Spanish, Portuguese, Greek DEC, Cro-ASCII, Coax/Twinax	Table 437	Table 437
Character Table	Graphic, Italic	Graphic Table	Graphic Table
IBM Set 1/2	Set 1, Set 2	Set 2	Set 2
CPL	94, 90, 80	94	94
Condensed Pitch	16.6, 17.1	17.1	16.6

ESC/P2 Emulation

ESC/P2 Emulation	Valid Setting	Menu1 (Default)	Menu2 (Default)
Print Dir	Auto,Uni-Dir,Bi-Dir	Auto	Auto
Paper Eject	Front,Rear	Front	Front
Continuous print	Yes,No	NO	NO

IBM Emulation

System Setup	Valid Setting	Menu1 (Default)	Menu2 (Default)
AGM (X24)	No , Yes	No	No
Auto Load	Yes , No	No	Yes
Reset After Eject	Yes, No	No	No
Form Length	12 , 11	12	12
TOF IBM-PP LIKE	No , Yes	No	No
BOF IBM-PP LIKE	No , Yes	No	No

Restore Factory Defaults

1. Press **User1 + 2** and **Power ON** the printer
2. Insert Cut Sheet paper
3. Press **User2**
4. Press **User2** two times
5. Press **User1** two times
6. Power Cycle the printer

```

Print current configurations
[USER1] prints the listing [USER2] skips the listing
Configuration Profiles
[USER1]=OK [USER2]=Next
Edit Profile: Menu1 Menu2 Restore Factory Defaults
Restore Factory Defaults
[USER1]=OK [USER2]=Next
Restore Factory Defaults? Yes
Edit Profile: Restore Factory Defaults
    
```

6 Maintenance

Your printer requires very little care. Occasional cleaning and replacement of the ribbon cartridge are all that is required. Cleaning is recommended approximately every 6 months or 300 hours of operation, whichever is sooner. Lubrication of the printer is not usually necessary. If the print head carriage does not move smoothly back and forth, clean the printer in the manner described in this chapter. If the problem continues, contact your dealer to determine whether lubrication may be necessary.



Switch printer off and unplug the power cord from the mains before doing any maintenance work.

Cleaning

The housing and the top cover of the printer help protect it against dust, dirt, and other contaminants. However, paper produces small particles that accumulate inside the printer. This section explains how to clean and vacuum the printer and how to clean the paper bail rollers. It is easier to clean the printer when the cover is open.

Cleaning and Vacuuming the Printer

If the print head carriage does not move smoothly back and forth or paper particles have accumulated in the printer, clean the printer.

To clean and vacuum the printer:

1. Remove any paper from the printer. *Make sure that the power is off, and then disconnect the printer power cord.*
2. Using a soft vacuum brush, vacuum the exterior of the printer. Also vacuum the cut sheet edge.
3. Use a soft, damp cloth to wipe the exterior of the printer, including the cover. A mild detergent may be used. *Do not use solvents, kerosene, or abrasive cleaning materials that may damage the printer.*
4. Open the cover of the printer and remove the ribbon cartridge. Using a soft vacuum brush, gently vacuum the platen, the print head carriage and shaft, and surrounding areas. You can easily slide the print head to the left or right when the power is off. Be careful not to press too hard on the flat head cable that extends from the print head carriage.
5. Re-install the ribbon cartridge.

7 Troubleshooting

Your printer is extremely reliable, but occasionally problems may occur. This chapter provides information on some of the common problems you may encounter and how you may solve them. If you encounter problems that you cannot resolve, contact your dealer or service partner for assistance.

Print Quality Problems and Solutions

Problem	Solution
Printing is too light or too dark.	<ul style="list-style-type: none"> • Make sure that the ribbon cartridge is properly installed and that the ribbon feeds smoothly. • Replace the ribbon if necessary.
Smears and stains appear on the page.	<ul style="list-style-type: none"> • Check for ribbon wear. Replace the ribbon if necessary. • Check whether the tip of the print head is dirty. Clean the head with a soft cloth if necessary. • The print head may need to be replaced.
Printing is erratic or the wrong characters are printed. Many "?" or unexpected characters are printed.	<ul style="list-style-type: none"> • Make sure that the interface cable is securely connected to both the printer and computer. • Make sure that the printer driver selected in your software is the same as the emulation selected on the printer. • Check the length of the interface cable. (Maximum Parallel & USB: 2 meters) • Try another interface cable.
The page is blank.	<ul style="list-style-type: none"> • Make sure that the ribbon cartridge is properly installed. • Make sure the gap lever is set correctly.
Printing is vertically misaligned (jagged).	Use the printer's vertical alignment function to check the vertical print alignment. If necessary, adjust the print alignment.
The top margin is wrong.	<ul style="list-style-type: none"> • Check the application top margin setting. • Adjust the Top Margin setting in Page Setup menu if necessary.
Lines are double spaced instead of single spaced.	Change the Auto LF setting in the System Setup menu to No.
The printer overprints on the same line.	Change the Auto CR setting in the System Setup menu to No.
The next print line starts where the previous line ended instead of at the left margin.	Change the Auto CR setting in the System Setup menu to Yes.

Paper Handling Problems and Solutions

Problem	Solution
Paper cannot be loaded or fed.	<ul style="list-style-type: none"> • Make sure that the paper select lever located on the top right of the printer is set correctly. Move the lever to the front for single sheets or to the rear for continuous forms. • Make sure that the paper covers the paper-out sensor.
Paper jams while loading.	<ul style="list-style-type: none"> • Turn off the printer and remove the jammed paper. Remove any obstructions from the paper path. • Make sure that the paper is not folded, creased, or torn. • Make sure that the left and right tractors are set so that the continuous forms are stretched taut.
Paper jams while printing.	<ul style="list-style-type: none"> • Turn off the printer and remove the jammed paper. Remove any obstructions from the paper path. • For continuous forms, make sure that the incoming and outgoing paper stacks are correctly placed. Paper should feed straight.
Paper slips off the forms tractors or the perforated holes of the paper tear during printing.	<p>Make sure that the forms tractors are positioned correctly for the width of your paper and that the perforated holes of the paper fit directly over the tractor pins.</p>

Operating Problems and Solutions

Problem	Solution
The power does not turn on.	<ul style="list-style-type: none"> • Check whether the mains voltage is correct. • Make sure that the power cord is securely connected to both the printer and the mains power outlet. • Make sure that the power outlet is functional. If not so, use other outlet. • Turn the power off. Wait a minute and then turn the printer on again. If the printer still has no power, contact your dealer.
The printer is on but it will not print.	<ul style="list-style-type: none"> • Make sure that the Offline indicator is out. • If you use the interface cable, make sure it is securely connected to both the printer and the computer. • Make sure paper is loaded. • Run the printer Status Page. If printing executes normally, the problem is caused by: the interface, the computer, incorrect printer settings, or incorrect software settings. • Make sure that the printer driver selected in your software is the same as the emulation selected on the printer.

Paper select lever error	If paper is loaded and the paper select lever is moved to the incorrect position, the printer turns offline, and the buzzer sounds continuously. Switch the paper select lever back to its correct position.
--------------------------	--

Printer Failures

A user cannot generally resolve a problem involving defective printer hardware. Power off and on again the printer to recover any fatal error. If the problem cannot be resolved, contact your dealer or service partner.

Error Indications on LEDs

Error Description	Operation Status	Paper Out LED	Online LED	Tear Off LED	Buzzer Sound
Paper jammed	Suspend	Flash	Off	Flash	Once
Friction feed / Tractor feed	Suspend	Flash	Flash	No change	Continuously
Print head hot	Normal	No change	Flash	No change	--
Carriage initial position	Stop	Flash	Off	Off	Once
EEPROM	Normal	Off	Flash	Flash	Once
Print head cold	Suspend	Flash	Flash	No change	--
ROM error	Stop	Flash	Flash	Flash	Once

Diagnostic Functions

The printer diagnostic functions are Self-Testpage, hex-dump mode and print alignment adjustment.

- **Self-Testpage:** Tells you whether the printer hardware is functioning correctly. If the printer hardware is functional, any problems you are having are probably caused by incorrect printer settings, incorrect software settings, the interface, or the computer.
- **HEX-DUMP MODE:** Allows you to determine whether the computer is sending the correct commands to the printer, and whether the printer is executing the commands correctly. This function is useful to programmers or others who understand how to interpret hex dumps.
- **PRINTING ALIGNMENT ADJUSTMENT:** Allows you to check and, if necessary, correct the printer's vertical line print alignment in bi-directional mode.

For detail on using these functions, please refer to chapters 4 and 5.

Firmware Update

Sometimes it is necessary to update the firmware to solve a problem. The latest firmware file may be obtained from your dealer or downloaded from our website www.dascom.com. Before upgrading firmware, it is strongly recommended to print the Main Menu page to keep a record of the old settings.

Note: Firmware updates should only be performed by an authorized service person. We disclaim any responsibility for any damage caused if it is performed by any other person.

To load new firmware, please proceed the following steps:

1. Open the cover
2. Press **User1 + Offline** and **Power ON** the printer.
3. L1 and L2 are blinking alternatively.
4. COPY /B <filename>.motPRN

Note: Do not interrupt the downloading process to prevent possible flash memory corruption.

5. When downloading is completed, the carriage returns to home position. Printer initializes normally.

8 Specification

Print System	Monochrome serial impactdot matrix				
Print Technology	Uni-/bi-directional logicseeking for text and graphics				
Print Speed	Pitch	HS Draft*	Draft	HS-LQ	(CPS/DPI)
	10 CPI	400 CPS	300 CPS	200 CPS	100 CPS
	12 CPI		360 CPS	240 CPS	120 CPS
	15 CPI				
	17.1 CPI				
	20 CPI				
	*limited print width of 8.4inch				
FontMatrix	Pitch	HS Draft	Draft	HS-LQ	(Matrix/DPI)
	10 CPI	8x8/80H	12x24/120H	18x24/180H	36x24/360H
	12 CPI		10x24/120H	15x24/180H	30x24/360H
	15 CPI		8x16/120H	24x12/180H	24x16/360H
	17.1 CPI			10.5x24/180H	21x24/360H
	20 CPI			9x24/360H	18x24/360H
	Proportional			Nx24/360H	Nx24/360H
Print Head	Number of pins:	24 pins			
	Firing frequency:	Normal mode: 1800 Hz			
	Pin diameter:	0.25 mm			
	Life:	400 million strokes/pin@ Draft mode			
Graphics	Horizontal: 1/60, 1/72, 1/80, 1/90, 1/120, 1/180, 1/216, 1/360				
	Vertical: 1/180, 1/360				
Paper FeedSpeed	FormFeed: 18 IPS (Inches per second)				
	Continuous FormFeed: 15 IPS (inches per second)				
Resolution	360 x 360 DPI maximum				
Printable Columns	Characters per inch (CPI); Characters per line (CPL)				
	Tractor:	Friction:			
	10 CPI: 82 CPL	10 CPI:	94 CPL		
	12 CPI: 94 CPL	12 CPI:	112 CPL		
	15 CPI: 123 CPL	15 CPI:	141 CPL		
	17.1 CPI: 140 CPL	17.1 CPI:	161 CPL		
	20 CPI: 164 CPL	20 CPI:	188 CPL		
		24 CPI:	225 CPL		

<p>Built-In Fonts</p>	<p>BitmapFonts: Draft 10, 12, 15, 17.1, 20, 24 CPI Roman10, 12, 15, 17.1, 20 CPI, Proportional OCR-B 10 CPI in NLQ and LQ; 12, 17.1, 20 CPI, Proportional OCR-A 10 CPI in NLQ and LQ, 12, 17.1, 20 CPI, Proportional Courier,Gothic,SanSerif, Prestige elite, Script,Orator, boldall in NLQ and LQ style and 10, 12, 15, 17.1, 20 CPI, Proportional</p>
<p>Barcodes</p>	<p>(viaprogramming) 1. EAN-13 2. EAN-8 3. Interleaved 2 of 5 4. UPC-A 5. UPC-E 6. Code 39 7. Code 128 8. POSTNET 9. Codabar 10. Industrial 2 of 5</p>
<p>Code Pages</p>	<p>1. CP 437 2. CP 737 3. CP 850 4. CP 851 5. CP 852 6. CP 857 7. CP 858 8. CP 860 9. CP 861 10. CP 863 11. CP 864 12. CP 864 Extended 13. CP 865 14. CP 866 Cyrillic 15. CP 866 Bulgaria 16. CP 1250 17. CP 1251 18. CP 1252 19. CP 1253</p>

Code Pages	20. CP 1254 21. 8859-1 22. 8859-1 (SAP) 23. 8859-2 24. 8859-5 25. 8859-7 26. 8859-9 27. 8859-15 28. BRASCII 29. Abicomp 30. Roman8 31. Coax/Twinax 32. New-437 33. New-Dig 850 34. Old-Code 860 35. Flarro 863 36. 865 Hebrew 37. CP 1257 38. 866 Ukraine 39. 866 Kazakhstan 40. Kamenicky 41. Mazovia 42. Siemens Turk. 43. DEC Turkish 44. CP 775 Baltic 45. CRO-ASCII 46. Arabic Farsi 47. Arabic Urdu 48. Greek DEC 49. Greek ELOT 928
-------------------	---

Tally Dascom 5130P

International Character Sets	<ol style="list-style-type: none"> 1. USA 2. France 3. Germany 4. UK 5. Denmark I 6. Sweden 7. Italy 8. Spain I 9. Japan 10. Norway 11. Denmark II 12. Spain II 13. Latin America 14. Korea 15. Legal 	
Paper Specifications	Cut Sheet	Width: 60 – 245 mm Length: 67 – 363.2 mm Weight: 52 – 157 g/m ² Thickness: 0.06 – 0.12 mm
	Continuous Form	Width: 101.6 – 241.3 mm Length: 139.7 mm and above Weight: 64 – 100 g/mm ² Thickness: 0.06 – 0.35 mm
	Bankbook	Width: 105 – 241 mm Length: 67 – 363.2 mm Weight: 95 – 116 g/m ² Thickness: 0.06 – 2.8 mm (P: 6.0 mm)
Paper Handling	Feeding method: Friction and Tractor Paper path: Cut sheets, Bankbook: Front in, front or rear out Continuous Forms: Rear in, front out	
Copy Capability	Original + 4 copies	
Emulation	ESC/P2, IBM X24	
Ribbon Type	Cartridge; Monochrome	
Ribbon Life	4 million characters @ 10 CPI Draft	
Input Data Buffer	96 KB	

Tally Dascom 5130P

Windows Drivers	WindowsServer 2000/2003/2008 WindowsVista WindowsXP Windows98 Windows7
Interface	Parallel (Bi-directional IEEE-1284 nibble mode) RS232C (9-pin Sub-DmaleIF) USB 2.0 (B type connector)
Operation Panel	Switches:3 pcs LED indicators: 5 pcs
Noise Level	Less then < 55 dBA, Draft Mode (ISO7779 pattern)
Ambient Conditions	Temperature Operating: +5 to +40 °C. Stand-by: -20 to +60 °C Humidity Operating: 10 to 90%RH (No condensation) Stand-by: 5 to 95%RH (No condensation)
Dimensions	384 mm (W) x 313 mm (D) x 203 mm (H)
Weight	9 kg
Power Supply	Power cord: Detachable Voltage rating: AC 230V (180V~264V), 50Hz to 60Hz AC 110V/120V, 60Hz (factory option) Standby: 7 W ESD: Comply with IEC801-2 Contact discharge: 4kV Air discharge: 8kV
Certification	CE, UL, FCC, ES, ISTA, RoHS, WEEE, REACH, ChemVerbotsV,

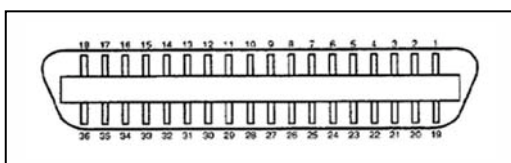
9 Interfaces

Parallel Interface

Parallel Interface Pin Assignment

Pin	Signal Name	Signal Transmission
1	STROBE, $\overline{\text{---}}$	Printer I Computer
2~9	DATA	Printer I Computer
10	ACK, $\overline{\text{---}}$	Printer J Computer
11	BUSY	Printer J Computer
12	PE	Printer J Computer
13	SELECT	Printer J Computer
14	AFXT, $\overline{\text{---}}$	Printer I Computer
15	Unused	Unused
16	GND	Printer Q Computer
17	F-GND	Printer Q Computer
18	+5V	Printer J Computer
19~30	GND	Printer Q Computer
31	INIT, $\overline{\text{---}}$	Printer I Computer
32	FAULT, $\overline{\text{---}}$	Printer J Computer
33	GND	Printer Q Computer
34	Unused	Unused
35	FUSE	Printer J Computer
36	SLCTIN, $\overline{\text{---}}$	Printer I Computer

Parallel Interface Connector Diagram



Note: Any external devices connected to the parallel port should not draw current exceeding 200 mA from pin 18; otherwise it may affect the printer operation.

USB Interface

The USB interface conforms to the Universal Serial Bus 2.0 Specifications. It supports the Full Speed mode at 12 Mbps. It uses the "B" type USB connector.

Serial Interface

RS232C (9-pin Sub-Dmale Interface)

10 Character sets & Code Pages

Character Sets

Standard Character Set 1

	0	1	2	3	4	5	6	7	8	9	A	B	C	D	E	F
0	NUL		SP	0	@	P	¢	p	NUL		0	@	P	¢	p	
1		DC1	!	1	A	Q	a	q		DC1	!	1	A	Q	a	q
2		DC2	"	2	B	R	b	r		DC2	"	2	B	R	b	r
3		DC3	#	3	C	S	c	s		DC3	#	3	C	S	c	s
4		DC4	\$	4	D	T	d	t		DC4	\$	4	D	T	d	t
5			%	5	E	U	e	u			%	5	E	U	e	u
6			&	6	F	V	f	v			&	6	F	V	f	v
7	BEL		'	7	G	W	g	w	BEL		'	7	G	W	g	w
8	BS	CAN	(8	H	X	h	x	BS	CAN	(8	H	X	h	x
9	HT)	9	I	Y	i	y	HT)	9	I	Y	i	y
A	LF		*	:	J	Z	j	z	LF		*	:	J	Z	j	z
B	VT	ESC	+	;	K	[k	{	VT	ESC	+	;	K	[k	{
C	FF	FS	,	<	L	\	l		FF	FS	,	<	L	\	l	
D	CR		-	=	M]	m	}	CR		-	=	M]	m	}
E	SO		.	>	N	^	n	~	SO		.	>	N	^	n	~
F	SI		/	?	O	_	o		SI		/	?	O	_	o	DEL

Standard Character Set 2

	0	1	2	3	4	5	6	7	8	9	A	B	C	D	E	F
0	NUL		SP	0	@	P	¢	p	à	š		0	@	P	¢	p
1		DC1	!	1	A	Q	a	q	é	ß	!	1	A	Q	a	q
2		DC2	"	2	B	R	b	r	ù	£	"	2	B	R	b	r
3		DC3	#	3	C	S	c	s	ò	¤	#	3	C	S	c	s
4		DC4	\$	4	D	T	d	t	í	ø	\$	4	D	T	d	t
5			%	5	E	U	e	u	•	ø	%	5	E	U	e	u
6			&	6	F	V	f	v	£	™	&	6	F	V	f	v
7	BEL		'	7	G	W	g	w	ì	ˆ	'	7	G	W	g	w
8	BS	CAN	(8	H	X	h	x	˚	ø	(8	H	X	h	x
9	HT)	9	I	Y	i	y	ñ	ù)	9	I	Y	i	y
A	LF		*	:	J	Z	j	z	ñ	š	*	:	J	Z	j	z
B	VT	ESC	+	;	K	[k	{	¤	ø	+	;	K	[k	{
C	FF	FS	,	<	L	\	l		ˆ	ù	,	<	L	\	l	
D	CR		-	=	M]	m	}	ˆ	ø	-	=	M]	m	}
E	SO		.	>	N	^	n	~	ˆ	é	.	>	N	^	n	~
F	SI		/	?	O	_	o		ˆ	ˆ	/	?	O	_	o	DEL

IBM Character Set 1

	0	1	2	3	4	5	6	7	8	9	A	B	C	D	E	F
0	NUL		SP	0	@	P	'	p	NUL		á	☐	L	⊥	α	=
1		DC1		1	A	Q	a	q		DC1	í	☒	⊥	⊥	β	±
2		DC2	'	2	B	R	b	r		DC2	ó	☒	⊥	⊥	Γ	≥
3		DC3	#	3	C	S	c	s		DC3	ú		⊥	⊥	π	≤
4		DC4	\$	4	D	T	d	t		DC4	ñ	⊥	⊥	⊥	Σ	∫
5			%	5	E	U	e	u			Ñ	⊥	⊥	⊥	σ	∫
6			&	6	F	V	f	v			a	⊥	⊥	⊥	μ	+
7	BEL		'	7	G	W	g	w	BEL		o	⊥	⊥	⊥	τ	≈
8	BS	CAN	(8	H	X	h	x	BS	CAN	¿	⊥	⊥	⊥	Φ	°
9	HT)	9	I	Y	i	y	HT		⊥	⊥	⊥	⊥	Θ	•
A	LF		*	:	J	Z	j	z	LF		⊥	⊥	⊥	⊥	Ω	.
B	VT	ESC	+	;	K	[k	{	VT	ESC	½	⊥	⊥	■	δ	√
C	FF	FS	,	<	L	\	l		FF	FS	¼	⊥	⊥	■	∞	∞
D	CR		.	=	M]	m	}	CR		ı	⊥	=	■	∅	∞
E	SO		.	>	N	^	n	~	SO		«	⊥	⊥	■	ε	■
F	SI		/	?	O	_	o		SI		»	⊥	⊥	■	∩	SP

IBM Character Set 2

	0	1	2	3	4	5	6	7	8	9	A	B	C	D	E	F
0	NUL		SP	0	@	P	'	p	Ç	É	á	☐	L	⊥	α	≡
1		DC1		1	A	Q	a	q	ü	æ	í	☒	⊥	⊥	β	±
2		DC2	'	2	B	R	b	r	é	Æ	ó	☒	⊥	⊥	Γ	≥
3	♥	DC3	#	3	C	S	c	s	â	ô	ú		⊥	⊥	π	≤
4	♦	DC4	\$	4	D	T	d	t	ã	ö	ñ	⊥	⊥	⊥	Σ	∫
5	♣	§	%	5	E	U	e	u	à	ò	Ñ	⊥	⊥	⊥	σ	∫
6	♣		&	6	F	V	f	v	â	û	a	⊥	⊥	⊥	μ	+
7	BEL		'	7	G	W	g	w	ç	ù	o	⊥	⊥	⊥	τ	≈
8	BS	CAN	(8	H	X	h	x	ê	ÿ	¿	⊥	⊥	⊥	Φ	°
9	HT)	9	I	Y	i	y	ë	ÿ	⊥	⊥	⊥	⊥	Θ	•
A	LF		*	:	J	Z	j	z	è	Ü	⊥	⊥	⊥	⊥	Ω	.
B	VT	ESC	+	;	K	[k	{	ı	ø	½	⊥	⊥	■	δ	√
C	FF	FS	,	<	L	\	l		î	£	¼	⊥	⊥	■	∞	∞
D	CR		.	=	M]	m	}	ı	¥	ı	⊥	=	■	∅	∞
E	SO		.	>	N	^	n	~	Ä	Pl	«	⊥	⊥	■	ε	■
F	SI		/	?	O	_	o		Å	f	»	⊥	⊥	■	∩	SP

International character sets

n	Set name	Dec Hex	35 23	36 24	64 40	91 5B	92 5C	93 5D	94 5E	96 60	123 7B	124 7C	125 7D	126 7E
0	USA	#	\$	@	[\]	^	`	{ }	~					
1	France	#	\$	à	° ç	§	^	`	é	ù	è	ˆ		
2	Germany	#	\$	§	Ä Ö	Ü	^	`	ä	ö	ü	ß		
3	UK	£	\$	@	[\]	^	`	{ }	~					
4	Denmark I	#	\$	@	Æ Ø	Å	^	`	æ	ø	å	ˆ		
5	Sweden	#	¤	É	Ä Ö	Å	Ü	é	ä	ö	å	ü		
6	Italy	#	\$	@	° \	é	^	ù	à	ò	è	ì		
7	Spain I	Pt	\$	@	ı Ñ	¿	^	`	ñ	}	~			
8	Japan (Eng)	#	\$	@	[¥]	^	`	{ }	~					
9	Norway	#	¤	É	Æ Ø	Å	Ü	é	æ	ø	å	ü		
10	Denmark II	#	\$	É	Æ Ø	Å	Ü	é	æ	ø	å	ü		
11	Spain II	#	\$	á	ı Ñ	¿	é	ı	ñ	ó	ú			
12	Lat America	#	\$	á	ı Ñ	¿	é	ü	ı	ñ	ó	ú		
13	Korea	#	\$	@	[₩]	^	`	{ }	~					
64	Legal	#	\$	§	° ' " ¶	^	`	© ® †	™					

International Character Set Commands

Country	Command
USA	< ESC > "R"CHR \$ (0)
France	< ESC > "R"CHR \$ (1)
Germany	< ESC > "R"CHR \$ (2)
UK	< ESC > "R"CHR \$ (3)
Denmark1	< ESC > "R"CHR \$ (4)
Sweden	< ESC > "R"CHR \$ (5)
Italy	< ESC > "R"CHR \$ (6)
Spain1	< ESC > "R"CHR \$ (7)
Japan	< ESC > "R"CHR \$ (8)

Tally Dascom 5130P

Norway	<ESC> "R"CHR \$ (9)
Denmark2	<ESC> "R"CHR \$ (10)
Spain2	<ESC> "R"CHR \$ (11)
Lat America	<ESC> "R"CHR \$ (12)
Korea	<ESC> "R"CHR \$ (13)
Legal	<ESC> "R"CHR \$ (64)

Character Tables

Italic

	0	10	20	30	40	50	60	70	80	90	A0	B0	C0	D0	E0	F0
0	0	1	2	3	4	5	6	7	8	9	A	B	C	D	E	F
1	!	!	!	!	!	!	!	!	!	!	!	!	!	!	!	!
2	"	"	"	"	"	"	"	"	"	"	"	"	"	"	"	"
3	#	#	#	#	#	#	#	#	#	#	#	#	#	#	#	#
4	\$	\$	\$	\$	\$	\$	\$	\$	\$	\$	\$	\$	\$	\$	\$	\$
5	%	%	%	%	%	%	%	%	%	%	%	%	%	%	%	%
6	&	&	&	&	&	&	&	&	&	&	&	&	&	&	&	&
7	'	'	'	'	'	'	'	'	'	'	'	'	'	'	'	'
8	((((((((((((((((
9))))))))))))))))
A	*	*	*	*	*	*	*	*	*	*	*	*	*	*	*	*
B	+	+	+	+	+	+	+	+	+	+	+	+	+	+	+	+
C	,	,	,	,	,	,	,	,	,	,	,	,	,	,	,	,
D	-	-	-	-	-	-	-	-	-	-	-	-	-	-	-	-
E
F	/	/	/	/	/	/	/	/	/	/	/	/	/	/	/	/

Tally Dascom 5130P

Graphic 1

	0	1	2	3	4	5	6	7	8	9	A	B	C	D	E	F
0	NUL			0	@	P	`	p	Ç	É	á		L	⊥	α	≡
1		DC1	!	1	A	Q	a	q	û	æ	í		⊥	⊥	β	±
2		DC2	"	2	B	R	b	r	é	Æ	ó		⊥	⊥	Γ	≥
3		DC3	#	3	C	S	c	s	à	ò	ú		⊥	⊥	π	≤
4		DC4	\$	4	D	T	d	t	ä	ö	ñ		-	⊥	Σ	∫
5			%	5	E	U	e	u	à	ò	Ñ	⊥	⊥	F	σ	J
6			&	6	F	V	f	v	ä	ü	ë		⊥	⊥	μ	÷
7	BEL		'	7	G	W	g	w	ç	ù	ø	⊥	⊥	⊥	τ	≈
8	BS	CAN	(8	H	X	h	x	ê	ÿ	¿	⊥	⊥	⊥	φ	°
9	HT	EM)	9	I	Y	i	y	ë	Ô	~		⊥	J	θ	•
A	LF		*	:	J	Z	j	z	è	Û	~		⊥	⊥	Ω	·
B	VT	ESC	+	;	K	[k	{	ï	ø	½	⊥	⊥	⊥	δ	√
C	FF	FS	,	<	L	\	l		ï	£	¼	⊥	⊥	⊥	∞	ⁿ
D	CR		-	=	M]	m	}	l	¥	i	⊥	=	⊥	φ	²
E	SO		.	>	N	^	n	~	Ä	℞	«	⊥	⊥	⊥	ε	▪
F	SI		/	?	O	_	o	DEL	À	f	*	⊥	⊥	⊥	∩	

Graphic 2

	0	1	2	3	4	5	6	7	8	9	A	B	C	D	E	F
0	NUL			0	@	P	`	p	NUL		á		L	⊥	α	≡
1		DC1	!	1	A	Q	a	q		DC1	í		⊥	⊥	β	±
2		DC2	"	2	B	R	b	r		DC2	ó		⊥	⊥	Γ	≥
3		DC3	#	3	C	S	c	s		DC3	ú		⊥	⊥	π	≤
4		DC4	\$	4	D	T	d	t		DC4	ñ		-	⊥	Σ	∫
5			%	5	E	U	e	u			Ñ	⊥	⊥	F	σ	J
6			&	6	F	V	f	v			ë		⊥	⊥	μ	÷
7	BEL		'	7	G	W	g	w	BEL		ø	⊥	⊥	⊥	τ	≈
8	BS	CAN	(8	H	X	h	x	BS	CAN	¿	⊥	⊥	⊥	φ	°
9	HT	EM)	9	I	Y	i	y	HT	EM	~		⊥	J	θ	•
A	LF		*	:	J	Z	j	z	LF		~		⊥	⊥	Ω	·
B	VT	ESC	+	;	K	[k	{	VT	ESC	½	⊥	⊥	⊥	δ	√
C	FF	FS	,	<	L	\	l		FF	FS	¼	⊥	⊥	⊥	∞	ⁿ
D	CR		-	=	M]	m	}	CR		i	⊥	=	⊥	φ	²
E	SO		.	>	N	^	n	~	SO		«	⊥	⊥	⊥	ε	▪
F	SI		/	?	O	_	o	DEL	SI		»	⊥	⊥	⊥	∩	

Code Page Commands

Code Page	ESCR Parameter
CRO-ASCII	3C
Arabic Farsi	96
Arabic Urdu	97
Greek DEC	46
Greek ELOT928	6C
CP437 Latin US	80
CP737 Greek	93
CP850 Latin 1	82
CP851 Greek	88
CP852 Latin 2	87
CP857 Turkish	8D
CP858 (IBM with €)	9E
CP860 Portugal	84
CP861 Icelandic	94
CP863 French Canada	85
CP864 Arabic	8C
CP864 Arab. Extended	95
CP865 Nordic	86
CP866 Cyrillic	8E
CP866 Bulgaria	9D
Siemens Turkish	9B
DEC Turkish	9C
CP1250 Win Latin 2	70
CP1251 Win Cyrillic	71
CP1252 Win Latin 1	72
CP1253 Win Greek	73
CP1254 Win Turkish	74
8859-1 Latin 1	25
8859-1 Latin 1 (SAP)	2B
8859-2 Latin 2	26
8859-5 Cyrillic	2A
8859-7 Greek	2D
8859-9 Turkish	2E
8859-15 Latin 9 (Euro)	2F
BRASCII	6D
Abicomp	6E
Roman 8	4D

Tally Dascom 5130P

Coax/Twinax(Hebrew)	4F
New-437 (Hebrew)	81
New-DIG 850 (Hebr.)	83
Old-Code 860 (Hebr.)	98
Flarro 863 (Hebrew)	99
Table 865 (Hebrew)	9A
CP775 Baltic	A6
CP1257 Baltic	77
Mazovia (Poland)	92
Kamenicky (Czech)	91
CP866 Ukraine	8F
CP866 Kazakhstan	90

Code Page Tables

CP 437 (US)

hex	0	1	2	3	4	5	6	7	8	9	a	b	c	d	e	f
dez	0	16	32	48	64	80	96	112	128	144	160	176	192	208	224	240
0			0	@	P	'	p	Ç	É	Á	☼	Ł	⌘	α	≡	
1		!	1	A	Q	a	q	ü	æ	í	☼	Ł	⌘	β	±	
2		"	2	B	R	b	r	é	Æ	ó	☼	Ł	⌘	Γ	≥	
3		#	3	C	S	c	s	â	ô	ú		Ł	⌘	π	≤	
4		\$	4	D	T	d	t	ä	ö	ñ		Ł	⌘	Σ		
5		%	5	E	U	e	u	à	ò	Ñ		Ł	⌘	σ	∫	
6		&	6	F	V	f	v	â	û	ä		Ł	⌘	μ	÷	
7		'	7	G	W	g	w	ç	ù	ó		Ł	⌘	τ	≈	
8		(8	H	X	h	x	ê	ÿ	¿		Ł	⌘	Φ	°	
9)	9	I	Y	i	y	ë	ÿ	¿		Ł	⌘	θ	·	
a		*	:	J	Z	j	z	è	Ü	¿		Ł	⌘	Ω	·	
b		+	;	K	[k	{	ï	φ	½		Ł	⌘	δ	ƒ	
c		,	<	L	\	l		î	£	¼		Ł	⌘	∞	n	
d		-	=	M]	m	}	ì	¥	ı		Ł	⌘	∅	²	
e		.	>	N	^	n	~	Ë	℞	«		Ł	⌘	ε	■	
f		/	?	O	_	o		À	ƒ	»		Ł	⌘	ñ		

CP 737 Greek

hex	0	1	2	3	4	5	6	7	8	9	a	b	c	d	e	f
dez	0	16	32	48	64	80	96	112	128	144	160	176	192	208	224	240
0			0	@	P	'	p	Α	Ρ	ι	☼	Ł	⌘	ω	∅	
1		!	1	A	Q	a	q	Β	Σ	κ	☼	Ł	⌘	ά	±	
2		"	2	B	R	b	r	Γ	Τ	η	☼	Ł	⌘	έ	≥	
3		#	3	C	S	c	s	Δ	Υ	μ		Ł	⌘	ή	≤	
4		\$	4	D	T	d	t	Ε	Φ	ν		Ł	⌘	ϊ		
5		%	5	E	U	e	u	Ζ	Χ	ξ		Ł	⌘	ί	∫	
6		&	6	F	V	f	v	Η	Ψ	ο		Ł	⌘	ό	÷	
7		'	7	G	W	g	w	Θ	Ω	π		Ł	⌘	ύ	≈	
8		(8	H	X	h	x	Ι	α	ρ		Ł	⌘	ϋ	°	
9)	9	I	Y	i	y	Κ	β	σ		Ł	⌘	ώ	£	
a		*	:	J	Z	j	z	Λ	χ	ς		Ł	⌘	Α	·	
b		+	;	K	[k	{	Μ	δ	τ		Ł	⌘	Ε	ƒ	
c		,	<	L	\	l		Ν	ε	υ		Ł	⌘	Η	n	
d		-	=	M]	m	}	Ξ	ζ	φ		Ł	⌘	Ι	²	
e		.	>	N	^	n	~	Ο	η	ξ		Ł	⌘	∅	■	
f		/	?	O	_	o		Π	θ	ψ		Ł	⌘	Υ		

CP 850 (Multilingual)

hex	0	1	2	3	4	5	6	7	8	9	a	b	c	d	e	f
dez	0	16	32	48	64	80	96	112	128	144	160	176	192	208	224	240
0			0	@	P	'	p	Ç	É	Á	⌘	⌘	⌘	⌘	⌘	-
1		!	1	A	Q	a	q	ü	æ	í	⌘	⌘	⌘	⌘	⌘	±
2		"	2	B	R	b	r	é	Æ	ó	⌘	⌘	⌘	⌘	⌘	=
3		#	3	C	S	c	s	â	ô	ú						¾
4		\$	4	D	T	d	t	ä	ö	ñ		-	-	-	-	¶
5		%	5	E	U	e	u	à	ò	Ñ	Á	†	†	†	†	§
6		&	6	F	V	f	v	ã	û	ä	Â	ã	ã	ã	ã	÷
7		'	7	G	W	g	w	ç	ù	ó	À	Ã	Ã	Ã	Ã	¸
8		(8	H	X	h	x	ê	ÿ	¿	©	⌘	⌘	⌘	⌘	°
9)	9	I	Y	i	y	ë	ÿ	©	⌘	⌘	⌘	⌘	⌘	¨
a		*	:	J	Z	j	z	è	ü	˘		⌘	⌘	⌘	⌘	·
b		+	;	K	[k	{	ï	ø	½	⌘	⌘	⌘	⌘	⌘	¹
c		,	<	L	\	l		î	£	¼	⌘	⌘	⌘	⌘	⌘	³
d		-	=	M]	m	}	ì	∅	¡	⌘	⌘	⌘	⌘	⌘	²
e		.	>	N	^	n	~	Ë	×	«	¥	⌘	⌘	⌘	⌘	■
f		/	?	O	_	o		À	f	»	⌘	⌘	⌘	⌘	⌘	'

CP 851

hex	0	1	2	3	4	5	6	7	8	9	a	b	c	d	e	f
dez	0	16	32	48	64	80	96	112	128	144	160	176	192	208	224	240
0			0	@	P	'	p	Ç	Ï	ÿ	⌘	⌘	⌘	⌘	⌘	-
1		!	1	A	Q	a	q	Ü	æ	ÿ	⌘	⌘	⌘	⌘	⌘	±
2		"	2	B	R	b	r	é	Ø	ú	⌘	⌘	⌘	⌘	⌘	u
3		#	3	C	S	c	s	â	ô	ú						φ
4		\$	4	D	T	d	t	ä	ö	À		-	-	-	-	x
5		%	5	E	U	e	u	ä	ÿ	B	K	†	†	†	†	§
6		&	6	F	V	f	v	À	Û	Γ	Λ	Π	α	μ	ψ	
7		'	7	G	W	g	w	ç	ù	Δ	M	P	β	v	¸	
8		(8	H	X	h	x	ê	Ω	E	N	⌘	⌘	⌘	⌘	°
9)	9	I	Y	i	y	ë	ÿ	Z	⌘	⌘	⌘	⌘	⌘	¨
a		*	:	J	Z	j	z	è	Û	H		⌘	⌘	⌘	⌘	·
b		+	;	K	[k	{	ÿ	á	½	⌘	⌘	⌘	⌘	⌘	¹
c		,	<	L	\	l		ÿ	£	θ	⌘	⌘	⌘	⌘	⌘	³
d		-	=	M]	m	}	E	é	I	≡	=	δ	ç	ω	
e		.	>	N	^	n	~	Ë	ñ	«	0	⌘	⌘	⌘	⌘	■
f		/	?	O	_	o		H	í	»	⌘	⌘	⌘	⌘	⌘	'

Tally Dascom 5130P

CP 852 (EasternEurope)

hex	0	1	2	3	4	5	6	7	8	9	a	b	c	d	e	f
dez	0	16	32	48	64	80	96	112	128	144	160	176	192	208	224	240
0			0	@	P	'	p	ç	É	á	☼	Ł	đ	ó	-	
1		!	1	A	Q	a	q	ü	Ł	í	☼	±	Đ	β	~	
2		"	2	B	R	b	r	é	í	ó	☼	Т	Đ	Ō	˘	
3		#	3	C	S	c	s	â	ô	ú		†	È	Ń	˘	
4		\$	4	D	T	d	t	ä	ö	À	†	-	đ	ń	˘	
5		%	5	E	U	e	u	û	Ł	ą	Á	†	Ń	ň	š	
6		&	6	F	V	f	v	ć	ŕ	ž	Ā	Ā	í	š	÷	
7		'	7	G	W	g	w	ç	š	ž	Ě	ä	ı	š	˘	
8		(8	H	X	h	x	ł	ś	Ę	Ś	Ł	ě	Ř	°	
9)	9	I	Y	i	y	ë	Ů	ę	‡	Ŕ	ı	Ú	˘	
a		*	:	J	Z	j	z	ő	Ű	˘		±	ŕ	ı	˘	
b		+	;	K	[k	{	ó	ř	ž	Ŧ	Ŧ	■	Ů	ú	
c		,	<	L	\	l		ı	ě	č	„	‡	■	ý	Ř	
d		-	=	M]	m	}	ž	ł	ś	ž	=	Ŧ	Ÿ	ř	
e		.	>	N	^	n	~	Ā	x	«	ž	‡	Ů	ı	■	
f		/	?	O	_	o		ć	č	»	˘	˘	■	'		

CP 857 (Turkish)

hex	0	1	2	3	4	5	6	7	8	9	a	b	c	d	e	f
dez	0	16	32	48	64	80	96	112	128	144	160	176	192	208	224	240
0			0	@	P	'	p	ç	É	á	☼	Ł	o	ó	-	
1		!	1	A	Q	a	q	ü	æ	í	☼	±	a	β	±	
2		"	2	B	R	b	r	é	Æ	ó	☼	Т	È	Ō		
3		#	3	C	S	c	s	â	ô	ú		†	È	Ō	¼	
4		\$	4	D	T	d	t	ä	ö	ñ	†	-	È	ö	¶	
5		%	5	E	U	e	u	à	ò	Ñ	Á	†		Ō	š	
6		&	6	F	V	f	v	â	û	ğ	Ā	ā	ı	μ	÷	
7		'	7	G	W	g	w	ç	ù	ğ	Ā	Ā	ı		˘	
8		(8	H	X	h	x	ê	î	ı	©	Ł	ı	x	°	
9)	9	I	Y	i	y	ë	Ů	©	‡	Ŕ	ı	Ú	˘	
a		*	:	J	Z	j	z	è	Ű	˘		±	ŕ	o	˘	
b		+	;	K	[k	{	ÿ	ø	½	Ŧ	Ŧ	■	Ů	ı	
c		,	<	L	\	l		ı	£	¼	„	‡	■	ı	³	
d		-	=	M]	m	}	ı	Ø	i	φ	=	ı	y	²	
e		.	>	N	^	n	~	Ā	ş	«	¥	‡	ı	-	■	
f		/	?	O	_	o		Ā	ş	»	˘	˘	■	'		

Tally Dascom 5130P

CP 858

hex	0	1	2	3	4	5	6	7	8	9	a	b	c	d	e	f
dez	0	16	32	48	64	80	96	112	128	144	160	176	192	208	224	240
0			0	@	P	'	p				á	☼	L	ò	ó	-
1		!	1	A	Q	a	q				í	☼	±	Ð	ß	±
2		"	2	B	R	b	r				ó	☼	T	Ê	Ô	=
3		#	3	C	S	c	s				ú		†	Ë	Ò	¼
4		\$	4	D	T	d	t				ñ	†	-	È	ö	¶
5		%	5	E	U	e	u				ñ	Á	†	€	Ö	§
6		&	6	F	V	f	v				ä	Â	ä	í	μ	÷
7		'	7	G	W	g	w				ó	À	À	î	þ	¸
8		(8	H	X	h	x				¿	©	ℓ	Ï	Þ	°
9)	9	I	Y	i	y				©	‡	ℓ	¸	Ú	¨
a		*	:	J	Z	j	z				¬		≡	Γ	0	·
b		+	;	K	[k	{				½	¶	¶	■	Ù	¹
c		,	<	L	\	l					¼	≡	¶	■	Ý	³
d		-	=	M]	m	}				ì	¢	=	ì	Υ	²
e		.	>	N	^	n	~				«	¥	‡	ì	-	■
f		/	?	O	_	o					»	¬	¤	■	'	

CP 860 (Portugal)

hex	0	1	2	3	4	5	6	7	8	9	a	b	c	d	e	f
dez	0	16	32	48	64	80	96	112	128	144	160	176	192	208	224	240
0			0	@	P	'	p	Ç	É	Á	☼	L	≡	α	≡	
1		!	1	A	Q	a	q	ü	À	í	☼	±	¶	β	±	
2		"	2	B	R	b	r	é	È	ó	☼	T	π	Γ	≥	
3		#	3	C	S	c	s	â	ô	ú		†	ℓ	π	≤	
4		\$	4	D	T	d	t	ã	õ	ñ	†	-	£	Σ	∫	
5		%	5	E	U	e	u	à	ò	Ñ	‡	†	F	σ	∫	
6		&	6	F	V	f	v	Á	Ú	ä	‡	†	¶	μ	÷	
7		'	7	G	W	g	w	ç	ù	ó	¶		¶	τ	≈	
8		(8	H	X	h	x	ê	î	¿	¶	ℓ	¶	Φ	°	
9)	9	I	Y	i	y	Ê	Ï	Ò	‡	ℓ	¸	θ	·	
a		*	:	J	Z	j	z	è	Û	¬		≡	Γ	Ω	·	
b		+	;	K	[k	{	í	¢	½	¶	¶	■	δ	√	
c		,	<	L	\	l		ò	£	¼	≡	¶	■	ω	n	
d		-	=	M]	m	}	ì	ù	ì	≡	=	■	ø	²	
e		.	>	N	^	n	~	Ã	¤	«	‡		■	ε	■	
f		/	?	O	_	o		Â	ó	»	¬	±	■	ñ		

Tally Dascom 5130P

CP 861 (Iceland)

hex	0	1	2	3	4	5	6	7	8	9	a	b	c	d	e	f
dez	0	16	32	48	64	80	96	112	128	144	160	176	192	208	224	240
0			0	@	P	'	p	Ç	É	Á	☼	⊥	⊥	μ	α	≡
1		!	1	A	Q	a	q	ü	æ	í	☼	⊥	⊥	β	±	
2		"	2	B	R	b	r	é	Æ	ó	☼	⊥	⊥	Γ	≥	
3		#	3	C	S	c	s	â	ô	ú			⊥	π	≤	
4		\$	4	D	T	d	t	ä	ö	Á	⊥	⊥	⊥	Σ	∫	
5		%	5	E	U	e	u	à	þ	í	⊥	⊥	⊥	σ	∫	
6		&	6	F	V	f	v	á	û	ó	⊥	⊥	⊥	μ	÷	
7		'	7	G	W	g	w	ç	ÿ	ú	⊥	⊥	⊥	τ	≈	
8		(8	H	X	h	x	ê	ý	í	⊥	⊥	⊥	Φ	°	
9)	9	I	Y	i	y	ë	ö	í	⊥	⊥	⊥	θ	.	
a		*	:	J	Z	j	z	è	ü	í	⊥	⊥	⊥	Ω	.	
b		+	;	K	[k	{	Ð	ø	½	⊥	⊥	⊥	δ	√	
c		,	<	L	\	l		ð	ε	¼	⊥	⊥	⊥	ω	n	
d		-	=	M]	m	}	Þ	ø	;	⊥	⊥	⊥	ø	²	
e		.	>	N	^	n	~	Ǻ	Ϡ	«	⊥	⊥	⊥	ε	■	
f		/	?	O	_	o		Ǻ	f	»	⊥	⊥	⊥	∩		

CP 863 (French-Canadian)

hex	0	1	2	3	4	5	6	7	8	9	a	b	c	d	e	f
dez	0	16	32	48	64	80	96	112	128	144	160	176	192	208	224	240
0			0	@	P	'	p	Ç	É	!	☼	⊥	⊥	μ	α	≡
1		!	1	A	Q	a	q	ü	È	'	☼	⊥	⊥	β	±	
2		"	2	B	R	b	r	é	Ê	ó	☼	⊥	⊥	Γ	≥	
3		#	3	C	S	c	s	â	ô	ú			⊥	π	≤	
4		\$	4	D	T	d	t	Â	Ë	"	⊥	⊥	⊥	Σ	∫	
5		%	5	E	U	e	u	à	ï	¸	⊥	⊥	⊥	σ	∫	
6		&	6	F	V	f	v	Œ	û	³	⊥	⊥	⊥	μ	÷	
7		'	7	G	W	g	w	ç	ù	—	⊥	⊥	⊥	τ	≈	
8		(8	H	X	h	x	ê	Ï	î	⊥	⊥	⊥	Φ	°	
9)	9	I	Y	i	y	ë	ô	í	⊥	⊥	⊥	θ	.	
a		*	:	J	Z	j	z	è	ü	í	⊥	⊥	⊥	Ω	.	
b		+	;	K	[k	{	ï	ç	½	⊥	⊥	⊥	δ	√	
c		,	<	L	\	l		î	ε	¼	⊥	⊥	⊥	ω	n	
d		-	=	M]	m	}	—	ù	¾	⊥	⊥	⊥	ø	²	
e		.	>	N	^	n	~	Ǻ	Ů	«	⊥	⊥	⊥	ε	■	
f		/	?	O	_	o		§	f	»	⊥	⊥	⊥	∩		

Tally Dascom 5130P

CP 864 Arabic

hex	0	1	2	3	4	5	6	7	8	9	a	b	c	d	e	f
dez	0	16	32	48	64	80	96	112	128	144	160	176	192	208	224	240
0			0	@	P	'	p	9	ß		.	#	>	-	=	
1		!	1	A	Q	a	q	.	ø	-	l	z	ج	ب	'	
2		"	2	B	R	b	r	.	φ	ل	ر	1	ج	ب	ع	
3		#	3	C	S	c	s	√	±	£	ƒ	1	ا	ب	ا	
4		\$	4	D	T	d	t	⌘	½	¤	E	9	ا	ل	ا	
5		%	5	E	U	e	u	-	‡	ل	0	8	ا	ا	ا	
6		&	6	F	V	f	v		≈		7	ا	ب	ل	ا	
7		'	7	G	W	g	w	+	«		U	l	ب	ا	ا	
8		(8	H	X	h	x	†	»	ل	0	ا	ب	9	ا	
9)	9	I	Y	i	y	‡	9	ا	9	ا	ا	ا	ا	
a		*	:	J	Z	j	z	‡	9	ا	ا	ا	ا	ا	ا	
b		+	;	K	[k	{	‡		ا	:	ا	:	ا	ا	
c		,	<	L	\	l	!	‡		.	ا	ا	ا	ا	ا	
d		-	=	M]	m	}	‡	ا	ا	ا	ا	ا	+	ا	ا
e		.	>	N	^	n	~	‡	ا	ا	ا	ا	ا	x	ا	ا
f		/	?	O	_	o		‡	ا	ا	ا	ا	ا	ا	ا	ا

CP 864 Arabic Extended

hex	0	1	2	3	4	5	6	7	8	9	a	b	c	d	e	f
dez	0	16	32	48	64	80	96	112	128	144	160	176	192	208	224	240
0			0	@	P	'	p	°	±		.	9	>	-	=	
1		!	1	A	Q	a	q	£	ل	-	l	z	ج	ب	'	
2		"	2	B	R	b	r	9	ل	ل	ر	1	ج	ب	ع	
3		#	3	C	S	c	s	9	ل	£	ƒ	1	ا	ب	ا	
4		\$	4	D	T	d	t	⌘	½	¤	E	9	ا	ل	ا	
5		%	5	E	U	e	u	ل	ل	ل	0	8	ا	ا	ا	
6		&	6	F	V	f	v	ل	ل		7	ا	ب	ل	ا	
7		'	7	G	W	g	w	°	«		U	l	ب	ا	ا	
8		(8	H	X	h	x	°	»	ل	0	ا	ب	9	ا	
9)	9	I	Y	i	y	ل	9	ا	9	ا	ا	ا	ا	
a		*	:	J	Z	j	z	°	9	ا	ا	ا	ا	ا	ا	
b		+	;	K	[k	{	ل	ل	ا	:	ا	:	ا	ا	
c		,	<	L	\	l	!	ل	ل	.	ا	ا	ا	ا	ا	
d		-	=	M]	m	}	ل	ل	ا	ا	ا	ا	+	ا	ا
e		.	>	N	^	n	~	ل	ل	ا	ا	ا	ا	x	ا	ا
f		/	?	O	_	o		ل	ل	ا	ا	ا	ا	ا	ا	ا

CP 865 (Norway)

hex	0	1	2	3	4	5	6	7	8	9	a	b	c	d	e	f
dez	0	16	32	48	64	80	96	112	128	144	160	176	192	208	224	240
0			0	@	P	'	p	Ç	É	á	☼	⊥	⊥	α	≡	
1		!	1	A	Q	a	q	ü	æ	í	☼	⊥	⊥	β	±	
2		"	2	B	R	b	r	é	Æ	ó	☼	⊥	⊥	Γ	≥	
3		#	3	C	S	c	s	â	ô	ú			⊥	π	≤	
4		\$	4	D	T	d	t	ä	ö	ñ		-	⊥	Σ		
5		%	5	E	U	e	u	à	ò	Ñ	⊥	⊥	⊥	σ	∫	
6		&	6	F	V	f	v	å	û	æ	⊥	⊥	⊥	μ	÷	
7		'	7	G	W	g	w	ç	ù	ó	⊥	⊥	⊥	τ	≈	
8		(8	H	X	h	x	ê	ÿ	¿	⊥	⊥	⊥	φ	°	
9)	9	I	Y	i	y	ë	ö	⊥	⊥	⊥	⊥	θ	·	
a		*	:	J	Z	j	z	è	Û	⊥	⊥	⊥	⊥	Ω	·	
b		+	;	K	[k	{	ÿ	ø	½	⊥	⊥	■	δ	√	
c		,	<	L	\	l		î	£	½	⊥	⊥	■	ω	n	
d		-	=	M]	m	}	ì	Ø	;	⊥	=	■	ø	²	
e		.	>	N	^	n	~	Å	Æ	«	⊥	⊥	■	ε	■	
f		/	?	O	_	o		Å	f	⊥	⊥	⊥	■	∩		

CP 866 (Cyrillic)

hex	0	1	2	3	4	5	6	7	8	9	a	b	c	d	e	f
dez	0	16	32	48	64	80	96	112	128	144	160	176	192	208	224	240
0			0	@	P	'	p	A	P	a	☼	⊥	⊥	p	Ë	
1		!	1	A	Q	a	q	Б	С	б	☼	⊥	⊥	с	ë	
2		"	2	B	R	b	r	В	Т	в	☼	⊥	⊥	т	ё	
3		#	3	C	S	c	s	Г	У	г			⊥	у	е	
4		\$	4	D	T	d	t	Д	Ф	д		-	⊥	ф	ï	
5		%	5	E	U	e	u	Е	Х	е	⊥	⊥	⊥	х	ÿ	
6		&	6	F	V	f	v	Ж	Ц	ж	⊥	⊥	⊥	ц	у	
7		'	7	G	W	g	w	З	Ч	з	⊥	⊥	⊥	ч	ÿ	
8		(8	H	X	h	x	И	Ш	и	⊥	⊥	⊥	ш	°	
9)	9	I	Y	i	y	Й	Щ	й	⊥	⊥	⊥	щ	·	
a		*	:	J	Z	j	z	К	Ъ	к	⊥	⊥	⊥	ъ	·	
b		+	;	K	[k	{	Л	Ы	л	⊥	⊥	■	ы	√	
c		,	<	L	\	l		М	Ь	м	⊥	⊥	■	ь	№	
d		-	=	M]	m	}	Н	Э	н	⊥	=	■	э	¤	
e		.	>	N	^	n	~	О	Ю	о	⊥	⊥	■	ю	■	
f		/	?	O	_	o		П	Я	п	⊥	⊥	■	я		

Tally Dascom 5130P

CP 866 Bulgaria

hex	0	1	2	3	4	5	6	7	8	9	a	b	c	d	e	f
dez	0	16	32	48	64	80	96	112	128	144	160	176	192	208	224	240
0			0	@	P	'	p	A	P	a	p	L	⌘	α	≡	
1		!	1	A	Q	a	q	Б	С	б	с	⊥	⌘	β	±	
2		"	2	B	R	b	r	В	Т	в	т	⊥	⌘	Γ	≥	
3		#	3	C	S	c	s	Г	У	г	у	⊥	⌘	π	≤	
4		\$	4	D	T	d	t	Д	Ф	д	ф	—	⊥	Σ	∫	
5		%	5	E	U	e	u	Е	Х	е	х	⊥	№	σ	∫	
6		&	6	F	V	f	v	Ж	Ц	ж	ц	⊥	§	μ	÷	
7		'	7	G	W	g	w	З	Ч	э	ч		¶	τ	≈	
8		(8	H	X	h	x	И	Ш	и	ш	⊥	⌘	φ	•	
9)	9	I	Y	i	y	Й	Щ	й	щ	⊥	⌘	θ	•	
a		*	:	J	Z	j	z	К	Ъ	к	ъ	≡	Γ	Ω	•	
b		+	;	K	[k	{	Л	Ы	л	ы	⊥	■	ō	∫	
c		,	<	L	\	l		М	Ь	м	ь	⊥	■	ω	∞	
d		-	=	M]	m	}	Н	Э	н	э	=	■	∅	²	
e		.	>	N	^	n	~	О	Ю	о	ю	⊥	■	ε	■	
f		/	?	O	_	o		П	Я	п	я	⊥	■	∅	∅	

CP 1250 Win Latin2

hex	0	1	2	3	4	5	6	7	8	9	a	b	c	d	e	f
dez	0	16	32	48	64	80	96	112	128	144	160	176	192	208	224	240
0			0	@	P	'	p	€			°	Ř	Đ	ř	đ	
1		!	1	A	Q	a	q	'	˘	±	Á	Ń	á	ń		
2		"	2	B	R	b	r	,	'	˘	„	Ā	Ń	ā	ñ	
3		#	3	C	S	c	s		˘	ł	ł	Å	Ó	å	ó	
4		\$	4	D	T	d	t	„	˘	œ	'	Å	Ô	ä	ô	
5		%	5	E	U	e	u	„	˘	À	μ	Ł	Ö	í	ö	
6		&	6	F	V	f	v	†	—	ı	¶	Č	Ü	č	ü	
7		'	7	G	W	g	w	‡	—	§	•	Ç	×	ç	÷	
8		(8	H	X	h	x		˘	„	„	Č	Ř	č	ř	
9)	9	I	Y	i	y	‰	™	©	ą	É	Ô	é	ô	
a		*	:	J	Z	j	z	Š	š	Š	š	Ę	Ó	ę	ó	
b		+	;	K	[k	{	<	>	«	»	È	Ū	è	ū	
c		,	<	L	\	l		Š	š	˘	Ł	Ě	Ū	ě	ů	
d		-	=	M]	m	}	†	‡	—	˘	ı	Ÿ	ı	ÿ	
e		.	>	N	^	n	~	Ž	ž	®	ŕ	ı	Ť	ř	ť	
f		/	?	O	_	o		Ž	ž	Ž	ž	Đ	ß	đ	•	

Tally Dascom 5130P

CP 1251 Win Cyrillic

hex	0	1	2	3	4	5	6	7	8	9	a	b	c	d	e	f
dez	0	16	32	48	64	80	96	112	128	144	160	176	192	208	224	240
0			0	@	P	'	p	ћ	ђ		°	A	P	a	p	
1		!	1	A	Q	a	q	ѓ	'	Ў	±	Б	С	б	с	
2		"	2	B	R	b	r	,	'	ў	I	В	Т	в	т	
3		#	3	C	S	c	s	ѓ	"	J	i	Г	У	г	у	
4		\$	4	D	T	d	t	„	"	џ	г	Д	Ф	д	ф	
5		%	5	E	U	e	u	-	•	Г	ц	Е	Х	е	х	
6		&	6	F	V	f	v	†	-	;	¶	Ж	Ц	ж	ц	
7		'	7	G	W	g	w	‡	-	§	•	З	Ч	з	ч	
8		(8	H	X	h	x	€		Ё	ё	И	Ш	и	ш	
9)	9	I	Y	i	y	‰	™	©	№	Й	Щ	й	щ	
a		*	:	J	Z	j	z	љ	љ	Є	є	К	Ъ	к	ъ	
b		+	;	K	[k	[<	>	«	»	Л	Ы	л	ы	
c		,	<	L	\	l		ћ	ћ	¬	j	М	Ь	м	ь	
d		-	=	M]	m]	К	К	-	S	Н	Э	н	э	
e		.	>	N	^	n	~	ћ	ћ	©	с	О	Ю	о	ю	
f		/	?	O	_	o		У	У	I	Ў	П	Я	п	я	

CP 1252 Win Latin1

hex	0	1	2	3	4	5	6	7	8	9	a	b	c	d	e	f
dez	0	16	32	48	64	80	96	112	128	144	160	176	192	208	224	240
0			0	@	P	'	p	€			°	À	Đ	à	đ	
1		!	1	A	Q	a	q		`	;	±	Á	Ñ	á	ñ	
2		"	2	B	R	b	r	,	'	¢	²	Â	Ò	â	ò	
3		#	3	C	S	c	s	ƒ	"	£	³	Ã	Ó	ã	ó	
4		\$	4	D	T	d	t	„	"	¤	´	Ä	Ô	ä	ô	
5		%	5	E	U	e	u	-	•	¥	µ	Å	Õ	å	õ	
6		&	6	F	V	f	v	†	-	¦	¶	Æ	Ö	æ	ö	
7		'	7	G	W	g	w	‡	-	§	•	Ç	×	ç	÷	
8		(8	H	X	h	x	^	~	"	„	È	Ø	è	ø	
9)	9	I	Y	i	y	‰	™	©	¹	É	Ù	é	ù	
a		*	:	J	Z	j	z	Š	š	ª	º	Ê	Ú	ê	ú	
b		+	;	K	[k	{	<	>	«	»	Ë	Û	ë	û	
c		,	<	L	\	l		œ	œ	¬	¼	Ì	Ü	ì	ü	
d		-	=	M]	m	}			-	½	Í	Ý	í	ý	
e		.	>	N	^	n	~			©	¾	Î	Þ	î	þ	
f		/	?	O	_	o				¥	—	¿	Ï	ß	ï	ÿ

Tally Dascom 5130P

CP 1253 Win Greek

hex	0	1	2	3	4	5	6	7	8	9	a	b	c	d	e	f
dez	0	16	32	48	64	80	96	112	128	144	160	176	192	208	224	240
0			0	@	P	'	p					°	τ	π	ū	π
1		!	1	A	Q	a	q		'	"	±	A	P	α	ρ	
2		"	2	B	R	b	r	,	'	Α	²	B		β	σ	
3		#	3	C	S	c	s	f	'	£	³	Γ	Σ	γ	ς	
4		\$	4	D	T	d	t	„	'	¤	'	Δ	T	δ	τ	
5		%	5	E	U	e	u	-	•	¥	μ	E	Υ	ε	υ	
6		&	6	F	V	f	v	†	-	¦	¶	Z	Φ	ζ	φ	
7		'	7	G	W	g	w	‡	-	§	•	H	X	η	x	
8		(8	H	X	h	x			"	E	Θ	Ψ	θ	ψ	
9)	9	I	Y	i	y	‰	™	©	H	I	Ω	ι	ω	
a		*	:	J	Z	j	z			"	I	K	Ι	κ	ϊ	
b		+	;	K	[k	{	<	>	«	»	Λ	Υ	λ	υ	
c		,	<	L	\	l				¬	∅	M	ά	μ	ό	
d		-	=	M]	m	}			-	½	N	έ	ν	ύ	
e		.	>	N	^	n	~			®	Υ	Ξ	ή	ξ	ώ	
f		/	?	O	_	o				-	∅	O	ί	ο		

CP 1254 Win Turkish

hex	0	1	2	3	4	5	6	7	8	9	a	b	c	d	e	f
dez	0	16	32	48	64	80	96	112	128	144	160	176	192	208	224	240
0			0	@	P	'	p	e				°	À	Ğ	à	ğ
1		!	1	A	Q	a	q		'	ı	±	Á	Ñ	á	ñ	
2		"	2	B	R	b	r	,	'	¢	²	Â	Ö	â	ö	
3		#	3	C	S	c	s	f	'	£	³	Ã	Ó	ã	ó	
4		\$	4	D	T	d	t	„	'	¤	'	Ä	Ö	ä	ö	
5		%	5	E	U	e	u	-	•	¥	μ	Å	Ö	å	ö	
6		&	6	F	V	f	v	†	-	¦	¶	Æ	Ü	æ	ö	
7		'	7	G	W	g	w	‡	-	§	•	Ç	×	ç	÷	
8		(8	H	X	h	x	^	~	"	„	È	Ø	è	ø	
9)	9	I	Y	i	y	‰	™	©	ı	É	Ü	é	ü	
a		*	:	J	Z	j	z	Š	š	â	ô	Ê	Ü	ê	ü	
b		+	;	K	[k	{	<	>	«	»	Ë	Ö	ë	ö	
c		,	<	L	\	l		Œ	œ	¬	½	İ	Ü	î	ü	
d		-	=	M]	m	}			-	½	Í	İ	í	ı	
e		.	>	N	^	n	~			®	½	Î	Ş	î	ş	
f		/	?	O	_	o				¥	-	Ï	İ	ï	ý	

Tally Dascom 5130P

8859-1 Latin 1

hex	0	1	2	3	4	5	6	7	8	9	a	b	c	d	e	f
dez	0	16	32	48	64	80	96	112	128	144	160	176	192	208	224	240
0			0	@	P	'	p	Ç	É		*	À	Ð	à	ò	
1		!	1	A	Q	a	q	ü	æ	ı	±	Á	Ñ	á	ñ	
2		"	2	B	R	b	r	é	Æ	ç	²	Â	Ò	â	ò	
3		#	3	C	S	c	s	â	ô	£	³	Ã	Ó	ã	ó	
4		\$	4	D	T	d	t	ä	ö	¤	´	Ä	Ö	ä	ö	
5		%	5	E	U	e	u	à	ò	¥	µ	Å	Õ	å	õ	
6		&	6	F	V	f	v	ã	û	¦	¶	Æ	Ö	æ	ö	
7		'	7	G	W	g	w	ç	ù	§	·	Ç	×	ç	÷	
8		(8	H	X	h	x	ê	ÿ	¨	¸	È	Ø	è	ø	
9)	9	I	Y	i	y	ë	ÿ	©	¹	É	Ù	é	ù	
a	*	:	J	Z	j	z	è	Ü	à	º	º	Ê	Ú	ê	ú	
b	+	;	K	[k	{	ı	ç	«	»	»	Ë	Û	ë	û	
c	,	<	L	\	l		î	£	¸	¼	¼	Ì	Ü	ì	ü	
d	-	=	M]	m	}	ï	¥	-	½	½	Í	Ý	í	ý	
e	.	>	N	^	n	~	Ë	¤	©	¾	¾	Î	Þ	î	þ	
f	/	?	O	_	o		À	f	-	¿	¿	Ï	ß	ï	ÿ	

8859-1 Latin 1 (SAP)

hex	0	1	2	3	4	5	6	7	8	9	a	b	c	d	e	f
dez	0	16	32	48	64	80	96	112	128	144	160	176	192	208	224	240
0			0	@	P	'	p	Ç	†		*	À	Ð	à	ò	
1		!	1	A	Q	a	q	ü	—	ı	±	Á	Ñ	á	ñ	
2		"	2	B	R	b	r	é		ç	²	Â	Ò	â	ò	
3		#	3	C	S	c	s	â	┌	£	³	Ã	Ó	ã	ó	
4		\$	4	D	T	d	t	ä	└	¤	´	Ä	Ö	ä	ö	
5		%	5	E	U	e	u	à	└	¥	µ	Å	Õ	å	õ	
6		&	6	F	V	f	v	ã	└	¦	¶	Æ	Ö	æ	ö	
7		'	7	G	W	g	w	ç	└	§	·	Ç	×	ç	÷	
8		(8	H	X	h	x	ê	└	¨	¸	È	Ø	è	ø	
9)	9	I	Y	i	y	ë	└	©	¹	É	Ù	é	ù	
a	*	:	J	Z	j	z	è	Ü	└	º	º	Ê	Ú	ê	ú	
b	+	;	K	[k	{	ı	ç	└	«	»	Ë	Û	ë	û	
c	,	<	L	\	l		î	£	└	¼	¼	Ì	Ü	ì	ü	
d	-	=	M]	m	}	ï	¥	└	½	½	Í	Ý	í	ý	
e	.	>	N	^	n	~	Ë	¤	└	¾	¾	Î	Þ	î	þ	
f	/	?	O	_	o		À	f	└	¿	¿	Ï	ß	ï	ÿ	

Tally Dascom 5130P

ISO 8859-2 (ISO Latin2)

hex	0	1	2	3	4	5	6	7	8	9	a	b	c	d	e	f
dez	0	16	32	48	64	80	96	112	128	144	160	176	192	208	224	240
0			0	@	P	'	p	ç	É		°	Ř	Đ	ř	đ	
1		!	1	A	Q	a	q	Ů	æ	Å	ą	Á	Ń	á	ń	
2		"	2	B	R	b	r	é	Æ	˘	˙	Ā	Ņ	ā	ņ	
3		#	3	C	S	c	s	ā	ō	Ł	ł	Ǻ	Ó	ǻ	ó	
4		\$	4	D	T	d	t	ä	ö	Ł	'	Ǻ	Ō	ǻ	ō	
5		%	5	E	U	e	u	à	ò	Ł	ŕ	Ł	Ŏ	í	õ	
6		&	6	F	V	f	v	á	û	Š	š	Č	Ů	č	ö	
7		'	7	G	W	g	w	ç	ù	Š	˘	Ç	×	ç	÷	
8		(8	H	X	h	x	ê	ÿ	˘	˙	Č	Ř	č	ř	
9)	9	I	Y	i	y	ë	ÿ	Š	š	É	Ŏ	é	ů	
a		*	:	J	Z	j	z	è	ü	Š	š	Ę	Ú	ę	ú	
b		+	;	K	[k	{	ÿ	ϕ	Ŧ	ŧ	Ě	Ů	ě	ů	
c		,	<	L	\	l		î	£	Ž	ž	Ě	Ů	ě	ů	
d		-	=	M]	m	}	ï	¥	-	˘	ı	Ÿ	ı	ÿ	
e		.	>	N	^	n	~	Ǻ	ł	Ž	ž	ı	Ÿ	ı	ÿ	
f		/	?	O	_	o		Ǻ	ł	Ž	ž	Đ	ß	đ	·	

ISO 8859-5 Cyrillic

hex	0	1	2	3	4	5	6	7	8	9	a	b	c	d	e	f
dez	0	16	32	48	64	80	96	112	128	144	160	176	192	208	224	240
0			0	@	P	'	p	ç	É		А	Р	а	р	№	
1		!	1	A	Q	a	q	Ů	æ	Ђ	Б	С	б	с	ё	
2		"	2	B	R	b	r	é	Æ	Ђ	В	Т	в	т	ђ	
3		#	3	C	S	c	s	ā	ō	Г	Г	У	г	у	ѓ	
4		\$	4	D	T	d	t	ä	ö	Є	Д	Ф	д	ф	є	
5		%	5	E	U	e	u	à	ò	Є	Е	Х	е	х	є	
6		&	6	F	V	f	v	á	û	І	Ж	Ц	ж	ц	і	
7		'	7	G	W	g	w	ç	ù	І	З	Ч	з	ч	ү	
8		(8	H	X	h	x	ê	ÿ	Ј	И	Ш	и	ш	ј	
9)	9	I	Y	i	y	ë	ÿ	Љ	Й	Щ	й	щ	љ	
a		*	:	J	Z	j	z	è	ü	Љ	К	Ъ	к	ъ	њ	
b		+	;	K	[k	{	ÿ	ϕ	Њ	Л	Ы	л	ы	њ	
c		,	<	L	\	l		î	£	Њ	М	Ь	м	ь	ќ	
d		-	=	M]	m	}	ï	¥	-	Н	Э	н	э	ѕ	
e		.	>	N	^	n	~	Ǻ	ł	У	О	Ю	о	ю	у	
f		/	?	O	_	o		Ǻ	ł	У	П	Я	п	я	у	

Tally Dascom 5130P

ISO 8859-7 (Latin/Greek)

hex	0	1	2	3	4	5	6	7	8	9	a	b	c	d	e	f
dez	0	16	32	48	64	80	96	112	128	144	160	176	192	208	224	240
0			0	@	P	'	p	ç	É		°	ı	Π	ū	π	
1		!	1	A	Q	a	q	ü	æ		±	Α	Ρ	α	ρ	
2		"	2	B	R	b	r	é	Æ		²	Β		β	σ	
3		#	3	C	S	c	s	ā	ō	£	³	Γ	Σ	χ	ς	
4		\$	4	D	T	d	t	ä	ö		'	Δ	Τ	δ	τ	
5		%	5	E	U	e	u	â	ò		»	Ε	Υ	ε	υ	
6		&	6	F	V	f	v	â	û	ı	Α	Z	Φ	ζ	φ	
7		'	7	G	W	g	w	ç	û	§	•	H	X	η	χ	
8		(8	H	X	h	x	ē	ÿ	¨	Ε	Θ	Ψ	θ	ψ	
9)	9	I	Y	i	y	ë	ÿ	©	Η	I	Ω	ι	ω	
a		*	:	J	Z	j	z	è	Ù		Ι	K	Ι	κ	ϊ	
b		+	;	K	[k	{	ÿ	ϕ	«	»	Λ	Υ	λ	ύ	
c		,	<	L	\	l		ı	£	¬	∅	M	ά	μ	ό	
d		-	=	M]	m	}	ı	¥	-	½	N	έ	ν	ύ	
e		.	>	N	^	n	~	À	ℙ		Υ	Ξ	ή	ξ	ώ	
f		/	?	O	_	o		À	f	—	Ω	Ο	ί	ο		

ISO 8859-9 (Turkish)

hex	0	1	2	3	4	5	6	7	8	9	a	b	c	d	e	f
dez	0	16	32	48	64	80	96	112	128	144	160	176	192	208	224	240
0			0	@	P	'	p	ç	É		°	Α	Đ	ä	ğ	
1		!	1	A	Q	a	q	ü	æ	ı	±	Á	Ñ	á	ñ	
2		"	2	B	R	b	r	é	Æ	ϕ	²	Ā	Ö	ā	ö	
3		#	3	C	S	c	s	ā	ō	£	³	Ā	Ó	ā	ó	
4		\$	4	D	T	d	t	ä	ö	¤	'	Ā	Ô	ä	ö	
5		%	5	E	U	e	u	â	ò	¥	μ	Ā	Õ	ā	õ	
6		&	6	F	V	f	v	â	û	ı	¶	Æ	Ů	æ	ů	
7		'	7	G	W	g	w	ç	û	§	•	Ç	×	ç	×	
8		(8	H	X	h	x	ē	ÿ	¨	˘	Ε	Ø	è	ø	
9)	9	I	Y	i	y	ë	ÿ	©	˘	É	Ù	é	ù	
a		*	:	J	Z	j	z	è	Ù	ª	º	É	Ú	ē	ú	
b		+	;	K	[k	{	ÿ	ϕ	«	»	É	Ó	ē	ó	
c		,	<	L	\	l		ı	£	¬	½	İ	Ů	ı	ů	
d		-	=	M]	m	}	ı	¥	-	¾	İ	İ	ı	ı	
e		.	>	N	^	n	~	À	ℙ	©	¾	İ	Ş	ı	ş	
f		/	?	O	_	o		À	f	—	˘	İ	ß	ı	ı	

Tally Dascom 5130P

ISO 8859-15 Euro (CodePage 923)

hex	0	1	2	3	4	5	6	7	8	9	a	b	c	d	e	f
dez	0	16	32	48	64	80	96	112	128	144	160	176	192	208	224	240
0			0	@	P	'	p	Ç	É		°	À	Ð	à	ð	
1		!	1	A	Q	a	q	ü	æ	;	±	Á	Ñ	á	ñ	
2		"	2	B	R	b	r	é	Æ	¢	²	Â	Ò	â	ò	
3		#	3	C	S	c	s	â	ô	£	³	Ã	Ó	ã	ó	
4		\$	4	D	T	d	t	ä	ö	€	Ž	Ä	Ô	ä	ô	
5		%	5	E	U	e	u	à	ò	¥	µ	Å	Ö	å	ö	
6		&	6	F	V	f	v	ã	û	Š	¶	Æ	Ö	æ	ö	
7		'	7	G	W	g	w	ç	ù	§	·	Ç	×	ç	÷	
8		(8	H	X	h	x	ê	ÿ	š	ž	È	Ø	è	ø	
9)	9	I	Y	i	y	ë	ÿ	©	¹	É	Ù	é	ù	
a		*	:	J	Z	j	z	è	Û	ª	º	Ê	Ú	ê	ú	
b		+	;	K	[k	{	ï	φ	«	»	Ë	Û	ë	û	
c		,	<	L	\	l		î	£	¬	¼	Ì	Ü	ì	ü	
d		-	=	M]	m	}	ï	¥	-	½	Í	Ý	í	ý	
e		.	>	N	^	n	~	Ë	¤	®	¾	Î	Þ	î	þ	
f		/	?	O	_	o		À	f	-	¿	Ï	ß	ï	ÿ	

BRASCI

hex	0	1	2	3	4	5	6	7	8	9	a	b	c	d	e	f
dez	0	16	32	48	64	80	96	112	128	144	160	176	192	208	224	240
0			0	@	P	'	p				°	À	Ð	à	ð	
1		!	1	A	Q	a	q			;	±	Á	Ñ	á	ñ	
2		"	2	B	R	b	r			¢	²	Â	Ò	â	ò	
3		#	3	C	S	c	s			£	³	Ã	Ó	ã	ó	
4		\$	4	D	T	d	t			€	Ž	Ä	Ô	ä	ô	
5		%	5	E	U	e	u			¥	µ	Å	Ö	å	ö	
6		&	6	F	V	f	v			Š	¶	Æ	Ö	æ	ö	
7		'	7	G	W	g	w			§	·	Ç	×	ç	÷	
8		(8	H	X	h	x			“	”	È	Ø	è	ø	
9)	9	I	Y	i	y			©	¹	É	Ù	é	ù	
a		*	:	J	Z	j	z			ª	º	Ê	Ú	ê	ú	
b		+	;	K	[k	{			«	»	Ë	Û	ë	û	
c		,	<	L	\	l				¬	¼	Ì	Ü	ì	ü	
d		-	=	M]	m	}			-	½	Í	Ý	í	ý	
e		.	>	N	^	n	~			®	¾	Î	Þ	î	þ	
f		/	?	O	_	o				-	¿	Ï	ß	ï	ÿ	

Tally Dascom 5130P

Abicom

hex	0	1	2	3	4	5	6	7	8	9	a	b	c	d	e	f
dez	0	16	32	48	64	80	96	112	128	144	160	176	192	208	224	240
0			0	@	P	'	p					ò	ì	ò		
1		!	1	A	Q	a	q				À	Ó	à	ó		
2		"	2	B	R	b	r				Á	Ô	á	ô		
3		#	3	C	S	c	s				Â	Û	â	û		
4		\$	4	D	T	d	t				Ã	Ü	ã	ü		
5		%	5	E	U	e	u				Ä	Œ	ä	œ		
6		&	6	F	V	f	v				Ç	Ù	ç	ù		
7		'	7	G	W	g	w				È	Ú	è	ú		
8		(8	H	X	h	x				É	Û	é	û		
9)	9	I	Y	i	y				Ê	Ü	ê	ü		
a		*	:	J	Z	j	z				Ë	Ý	ë	ÿ		
b		+	;	K	[k	{				Ì	”	ì	ß		
c		,	<	L	\	l					Í	£	í	à		
d		-	=	M]	m	}				Î	•	î	ó		
e		.	>	N	^	n	~				Ï	§	ï	ì		
f		/	?	O	_	o					Ñ	°	ñ	±		

Roman8

hex	0	1	2	3	4	5	6	7	8	9	a	b	c	d	e	f
dez	0	16	32	48	64	80	96	112	128	144	160	176	192	208	224	240
0			0	@	P	'	p					—	â	À	Á	þ
1		!	1	A	Q	a	q				À	ÿ	ê	î	Ã	Þ
2		"	2	B	R	b	r				Ã	ý	ô	Ø	ã	•
3		#	3	C	S	c	s				È	°	û	Æ	Ð	µ
4		\$	4	D	T	d	t				É	Ç	á	ã	ð	¶
5		%	5	E	U	e	u				Ë	ç	é	í	í	¾
6		&	6	F	V	f	v				Î	Ñ	ó	ø	ì	—
7		'	7	G	W	g	w				Ï	ñ	ú	æ	ó	¼
8		(8	H	X	h	x				'	;	à	À	ò	½
9)	9	I	Y	i	y				'	;	è	ì	Õ	à
a		*	:	J	Z	j	z				^	¤	ò	Ö	õ	◊
b		+	;	K	[k	{				”	£	ù	Û	š	«
c		,	<	L	\	l					~	¥	ä	É	š	■
d		-	=	M]	m	}				Ù	§	ë	í	Ú	»
e		.	>	N	^	n	~				Ù	f	ö	ß	ÿ	±
f		/	?	O	_	o					£	¢	ü	Ô	ÿ	

Tally Dascom 5130P

Coax/Twinax (Hebrew)

hex	0	1	2	3	4	5	6	7	8	9	a	b	c	d	e	f
dez	0	16	32	48	64	80	96	112	128	144	160	176	192	208	224	240
0				0	@	P	'	p	N	J	á	☼	L	⊥	⊥	⊥
1		!	1	A	Q	a	q	l	U	í	☼	⊥	⊥	⊥	⊥	⊥
2		"	2	B	R	b	r	λ	Y	ó	☼	⊥	⊥	⊥	⊥	⊥
3		#	3	C	S	c	s	T	η	ú			⊥	⊥	⊥	⊥
4		\$	4	D	T	d	t	ñ	Ɔ	ñ		-	⊥	⊥	⊥	⊥
5		%	5	E	U	e	u	ı	Ƴ	ñ	‡	‡	‡	‡	‡	‡
6		&	6	F	V	f	v	ı	Ƴ	á	‡	‡	‡	‡	‡	‡
7		'	7	G	W	g	w	ñ	Ɔ	Ω	⊥	⊥	⊥	⊥	⊥	⊥
8		(8	H	X	h	x	U	ı	ı	‡	⊥	⊥	⊥	⊥	⊥
9)	9	I	Y	i	y	ı	Ƴ	ı	‡	‡	‡	‡	‡	‡
a		*	:	J	Z	j	z	ı	ñ	ı	‡	⊥	⊥	⊥	⊥	⊥
b		+	;	K	[k	{	ı	Ɔ	½	‡	‡	⊥	⊥	⊥	⊥
c		,	<	L	\	l		ı	Ɔ	¼	‡	‡	⊥	⊥	⊥	⊥
d		-	=	M]	m	}	ı	Ƴ	ı	⊥	=	⊥	⊥	⊥	⊥
e		.	>	N	^	n	~	ı	Ɔ	ı	‡	‡	⊥	⊥	⊥	⊥
f		/	?	O	_	o		ı	Ɔ	ı	‡	⊥	⊥	⊥	⊥	⊥

New-437 (Hebrew)

hex	0	1	2	3	4	5	6	7	8	9	a	b	c	d	e	f
dez	0	16	32	48	64	80	96	112	128	144	160	176	192	208	224	240
0				0	@	P	'	p	N	J	á	☼	L	⊥	α	≡
1		!	1	A	Q	a	q	l	U	í	☼	⊥	⊥	⊥	β	±
2		"	2	B	R	b	r	λ	Y	ó	☼	⊥	⊥	⊥	Γ	≥
3		#	3	C	S	c	s	T	η	ú			⊥	⊥	π	≤
4		\$	4	D	T	d	t	ñ	Ɔ	ñ		-	⊥	⊥	Σ	∫
5		%	5	E	U	e	u	ı	Ƴ	ñ	‡	‡	‡	‡	σ	∫
6		&	6	F	V	f	v	ı	Ƴ	á	‡	‡	‡	‡	ı	'
7		'	7	G	W	g	w	ñ	Ɔ	Ω	⊥	⊥	⊥	⊥	τ	≈
8		(8	H	X	h	x	U	ı	ı	‡	⊥	⊥	⊥	φ	*
9)	9	I	Y	i	y	ı	Ƴ	ı	‡	‡	‡	‡	θ	.
a		*	:	J	Z	j	z	ı	ñ	ı	‡	⊥	⊥	⊥	Ω	.
b		+	;	K	[k	{	ı	Ɔ	½	‡	‡	⊥	⊥	δ	∫
c		,	<	L	\	l		ı	Ɔ	¼	‡	‡	⊥	⊥	∞	n
d		-	=	M]	m	}	ı	Ƴ	ı	⊥	=	⊥	⊥	∅	²
e		.	>	N	^	n	~	ı	Ɔ	ı	‡	‡	⊥	⊥	ε	■
f		/	?	O	_	o		ı	Ɔ	ı	‡	⊥	⊥	⊥	∅	n

Tally Dascom 5130P

New-Dig 850 (Hebrew)

hex	0	1	2	3	4	5	6	7	8	9	a	b	c	d	e	f
dez	0	16	32	48	64	80	96	112	128	144	160	176	192	208	224	240
0			0	@	P	'	p	W	J	á	☼	⊥	δ	W	ן	
1		!	1	A	Q	a	q	⊥	U	í	☼	⊥	⊥	⊥	⊥	⊥
2		"	2	B	R	b	r	λ	γ	ó	☼	⊥	⊥	⊥	⊥	⊥
3		#	3	C	S	c	s	⊥	⊥	ú		⊥	⊥	⊥	⊥	⊥
4		\$	4	D	T	d	t	⊥	⊥	ñ	⊥	⊥	⊥	⊥	⊥	⊥
5		%	5	E	U	e	u	⊥	⊥	Ñ	⊥	⊥	⊥	⊥	⊥	⊥
6		&	6	F	V	f	v	⊥	⊥	⊥	⊥	⊥	⊥	⊥	⊥	⊥
7		'	7	G	W	g	w	⊥	⊥	⊥	⊥	⊥	⊥	⊥	⊥	⊥
8		(8	H	X	h	x	⊥	⊥	⊥	⊥	⊥	⊥	⊥	⊥	⊥
9)	9	I	Y	i	y	⊥	⊥	⊥	⊥	⊥	⊥	⊥	⊥	⊥
a		*	:	J	Z	j	z	⊥	⊥	⊥	⊥	⊥	⊥	⊥	⊥	⊥
b		+	;	K	[k	{	⊥	⊥	⊥	⊥	⊥	⊥	⊥	⊥	⊥
c		,	<	L	\	l		⊥	⊥	⊥	⊥	⊥	⊥	⊥	⊥	⊥
d		-	=	M]	m	}	⊥	⊥	⊥	⊥	⊥	⊥	⊥	⊥	⊥
e		.	>	N	^	n	~	⊥	⊥	⊥	⊥	⊥	⊥	⊥	⊥	⊥
f		/	?	O	_	o		⊥	⊥	⊥	⊥	⊥	⊥	⊥	⊥	⊥

Old-Code 860 (Hebrew)

רוט	0	1	2	3	4	5	6	7	8	9	ב	ג	ד	ה	ו	ז
תוה	0	16	32	48	64	80	96	112	128	144	160	176	192	208	224	240
0			0	@	P	W	ן	ן	ן	á	☼	⊥	⊥	⊥	⊥	⊥
1		!	1	A	Q	⊥	⊥	⊥	⊥	í	☼	⊥	⊥	⊥	⊥	⊥
2		"	2	B	R	λ	γ	λ	⊥	ó	☼	⊥	⊥	⊥	⊥	⊥
3		#	3	C	S	⊥	⊥	⊥	⊥	ú		⊥	⊥	⊥	⊥	⊥
4		\$	4	D	T	⊥	⊥	⊥	⊥	ñ	⊥	⊥	⊥	⊥	⊥	⊥
5		%	5	E	U	⊥	⊥	⊥	⊥	Ñ	⊥	⊥	⊥	⊥	⊥	⊥
6		&	6	F	V	⊥	⊥	⊥	⊥	⊥	⊥	⊥	⊥	⊥	⊥	⊥
7		'	7	G	W	⊥	⊥	⊥	⊥	⊥	⊥	⊥	⊥	⊥	⊥	⊥
8		(8	H	X	⊥	⊥	⊥	⊥	⊥	⊥	⊥	⊥	⊥	⊥	⊥
9)	9	I	Y	⊥	⊥	⊥	⊥	⊥	⊥	⊥	⊥	⊥	⊥	⊥
ב		*	:	J	Z	⊥	⊥	⊥	⊥	⊥	⊥	⊥	⊥	⊥	⊥	⊥
ג		+	;	K	[⊥	{	⊥	⊥	⊥	⊥	⊥	⊥	⊥	⊥	⊥
ד		,	<	L	\	⊥		⊥	⊥	⊥	⊥	⊥	⊥	⊥	⊥	⊥
ה		-	=	M]	⊥	}	⊥	⊥	⊥	⊥	⊥	⊥	⊥	⊥	⊥
ו		.	>	N	^	⊥	~	⊥	⊥	⊥	⊥	⊥	⊥	⊥	⊥	⊥
ז		/	?	O	_	⊥		⊥	⊥	⊥	⊥	⊥	⊥	⊥	⊥	⊥

Tally Dascom 5130P

Flarro 863 (Hebrew)

רוט תרה	0	1	2	3	4	5	6	7	8	9	ב	ג	ד	ה	ו	ז
תרה	0	16	32	48	64	80	96	112	128	144	160	176	192	208	224	240
0			0	@	נ	מ	נ	מ	נ	!	☼	ל	⌘	α	≡	
1		!	1	ב	ט	ב	ט	ב	ט	'	☼	⌘	⌘	β	±	
2		"	2	ג	ע	ג	ע	ג	ע	ó	☼	⌘	⌘	Γ	≥	
3		#	3	ד	ף	ד	ף	ד	ף	ú		⌘	⌘	π	≤	
4		\$	4	ה	פ	ה	פ	À	É	"	⌘	⌘	⌘	Σ		
5		%	5	ו	ץ	ו	ץ	ו	ץ	ı	⌘	⌘	⌘	σ	∫	
6		⌘	6	ז	צ	ז	צ	⌘	צ	ª	⌘	⌘	⌘	ı	'	
7		'	7	ח	ק	ח	ק	ח	ק	—	⌘	⌘	⌘	τ	≈	
8		(8	ט	ך	ט	ך	ט	ך	ı	⌘	⌘	⌘	Φ	*	
9)	9	י	ש	י	ש	ı	ó	ı	⌘	⌘	⌘	θ	.	
ב		*	:	ך	ת	ך	ת	ך	ת	ı	⌘	⌘	⌘	Ω	.	
ג		+	;	כ	[כ	{	כ	φ	½	⌘	⌘	⌘	δ	ı	
ד		,	<	ל	\	ל		ל	£	¼	⌘	⌘	⌘	ω	∞	
ה		-	=	ם]	ם	}	=	Û	¾	⌘	⌘	⌘	ø	²	
ו		.	>	נ	^	נ	~	λ	0	«	⌘	⌘	⌘	ε	■	
ז		/	?	ו	_	ו		§	f	»	⌘	⌘	⌘	∅	∅	

865 Hebrew

hex dez	0	1	2	3	4	5	6	7	8	9	a	b	c	d	e	f
dez	0	16	32	48	64	80	96	112	128	144	160	176	192	208	224	240
0			0	@	P	'	p	מ	נ	Á	☼	ל	⌘	α	≡	
1		!	1	A	Q	a	q	ב	ט	ı	☼	⌘	⌘	β	±	
2		"	2	B	R	b	r	ג	ע	ó	☼	⌘	⌘	Γ	≥	
3		#	3	C	S	c	s	ד	ף	ú		⌘	⌘	π	≤	
4		\$	4	D	T	d	t	ה	פ	ñ	⌘	⌘	⌘	Σ		
5		%	5	E	U	e	u	ו	ץ	Ń	⌘	⌘	⌘	σ	∫	
6		&	6	F	V	f	v	ז	צ	ª	⌘	⌘	⌘	ı	'	
7		'	7	G	W	g	w	ח	ק	Ω	⌘	⌘	⌘	τ	≈	
8		(8	H	X	h	x	ט	ך	ı	⌘	⌘	⌘	Φ	*	
9)	9	I	Y	i	y	י	ש	ı	⌘	⌘	⌘	θ	.	
a		*	:	J	Z	j	z	ך	ת	ı	⌘	⌘	⌘	Ω	.	
b		+	;	K	[k	{	כ	φ	½	⌘	⌘	⌘	δ	ı	
c		,	<	L	\	l		ל	£	¼	⌘	⌘	⌘	ω	∞	
d		-	=	M]	m	}	ם	ø	ı	⌘	⌘	⌘	ø	²	
e		.	>	N	^	n	~	נ	ℜ	«	⌘	⌘	⌘	ε	■	
f		/	?	O	_	o		ו	f	»	⌘	⌘	⌘	∅	∅	

Tally Dascom 5130P

CP 1257

hex	0	1	2	3	4	5	6	7	8	9	a	b	c	d	e	f
dez	0	16	32	48	64	80	96	112	128	144	160	176	192	208	224	240
0			0	@	P	`	p	€			°	À	Š	à	š	
1		!	1	À	Q	a	q	`			±	ı	Ń	i	ń	
2		"	2	B	R	b	r	,	'	φ	²	Ā	Ń	ā	ņ	
3		#	3	C	S	c	s	"	"	£	³	Ó	Ó	ó	ó	
4		\$	4	D	T	d	t	„	”	¤		Ä	Ö	ä	ö	
5		%	5	E	U	e	u		μ	Å	Ö	å	ö	
6		&	6	F	V	f	v	†	-	:	¶	Ë	Ö	ë	ö	
7		'	7	G	W	g	w	#	-	§	.	Ē	x	ē	÷	
8		(8	H	X	h	x			ø	ø	Č	U	č	u	
9)	9	I	Y	i	y	%	™	©	ı	É	L	é	ı	
a		*	:	J	Z	j	z			®	ı	Ž	Š	ž	š	
b		+	;	K	[k	{	<	>	«	»	É	Ū	è	ū	
c		,	<	L	\	l				¬	¼	G	Ü	g	ü	
d		-	=	M]	m	}			-	½	K	Ž	k	ž	
e		.	>	N	^	n	~			®	¾	Ī	Ž	ī	ž	
f		/	?	O	_	o				®	¾	Ł	B	ł	ß	

866 Ukraine

hex	0	1	2	3	4	5	6	7	8	9	a	b	c	d	e	f
dez	0	16	32	48	64	80	96	112	128	144	160	176	192	208	224	240
0			0	@	P	'	p	A	P	a	␣	␣	␣	␣	␣	␣
1		!	1	A	Q	a	q	Б	С	б	␣	␣	␣	␣	␣	␣
2		"	2	B	R	b	r	В	Т	в	␣	␣	␣	␣	␣	␣
3		#	3	C	S	c	s	Г	У	г			␣	␣	␣	␣
4		\$	4	D	T	d	t	Д	Ф	д	†	-	␣	␣	␣	␣
5		%	5	E	U	e	u	Е	Х	е	†	†	␣	␣	␣	␣
6		&	6	F	V	f	v	Ж	Ц	ж		␣	␣	␣	␣	␣
7		'	7	G	W	g	w	З	Ч	з			␣	␣	␣	␣
8		(8	H	X	h	x	И	Ш	и	†	␣	␣	␣	␣	␣
9)	9	I	Y	i	y	Й	Щ	й		␣	␣	␣	␣	␣
a		*	:	J	Z	j	z	К	Ь	к		␣	␣	␣	␣	␣
b		+	;	K	[k	{	Л	Ы	л			␣	␣	␣	␣
c		,	<	L	\	l		М	Ь	м			␣	␣	␣	␣
d		-	=	M]	m	}	Н	Э	н	␣	␣	␣	␣	␣	␣
e		.	>	N	^	n	~	О	Ю	о	␣	␣	␣	␣	␣	␣
f		/	?	O	_	o		П	Я	п	␣	␣	␣	␣	␣	␣

Tally Dascom 5130P

866 Kazakhstan

hex	0	1	2	3	4	5	6	7	8	9	a	b	c	d	e	f
dez	0	16	32	48	64	80	96	112	128	144	160	176	192	208	224	240
0			0	@	P	'	p	A	P	a	⦿	⦿	⦿	⦿	⦿	⦿
1		!	1	A	Q	a	q	Б	С	б	⦿	⦿	⦿	⦿	⦿	⦿
2		"	2	B	R	b	r	В	Т	в	⦿	⦿	⦿	⦿	⦿	⦿
3		#	3	C	S	c	s	Г	У	г	⦿	⦿	⦿	⦿	⦿	⦿
4		\$	4	D	T	d	t	Д	Ф	д	⦿	⦿	⦿	⦿	⦿	⦿
5		%	5	E	U	e	u	Е	Х	е	⦿	⦿	⦿	⦿	⦿	⦿
6		&	6	F	V	f	v	Ж	Ц	ж	⦿	⦿	⦿	⦿	⦿	⦿
7		'	7	G	W	g	w	З	Ч	э	⦿	⦿	⦿	⦿	⦿	⦿
8		(8	H	X	h	x	И	Ш	и	⦿	⦿	⦿	⦿	⦿	⦿
9)	9	I	Y	i	y	Й	Щ	й	⦿	⦿	⦿	⦿	⦿	⦿
a		*	:	J	Z	j	z	К	Ь	к	⦿	⦿	⦿	⦿	⦿	⦿
b		+	;	K	[k	{	Л	Ы	л	⦿	⦿	⦿	⦿	⦿	⦿
c		,	<	L	\	l	!	М	Ь	м	⦿	⦿	⦿	⦿	⦿	⦿
d		-	=	M]	m	}	Н	Э	н	⦿	⦿	⦿	⦿	⦿	⦿
e		.	>	N	^	n	~	О	Ю	о	⦿	⦿	⦿	⦿	⦿	⦿
f		/	?	O	_	o		П	Я	п	⦿	⦿	⦿	⦿	⦿	⦿

Kamenicky

hex	0	1	2	3	4	5	6	7	8	9	a	b	c	d	e	f
dez	0	16	32	48	64	80	96	112	128	144	160	176	192	208	224	240
0			0	@	P	'	p	Č	É	á	⦿	⦿	⦿	⦿	⦿	⦿
1		!	1	A	Q	a	q	ů	ž	í	⦿	⦿	⦿	⦿	⦿	⦿
2		"	2	B	R	b	r	é	ž	ó	⦿	⦿	⦿	⦿	⦿	⦿
3		#	3	C	S	c	s	ď	ö	ú	⦿	⦿	⦿	⦿	⦿	⦿
4		\$	4	D	T	d	t	ä	ö	ň	⦿	⦿	⦿	⦿	⦿	⦿
5		%	5	E	U	e	u	Ď	Ó	Ň	⦿	⦿	⦿	⦿	⦿	⦿
6		&	6	F	V	f	v	ř	ů	ů	⦿	⦿	⦿	⦿	⦿	⦿
7		'	7	G	W	g	w	č	Ů	Ů	⦿	⦿	⦿	⦿	⦿	⦿
8		(8	H	X	h	x	ě	ý	š	⦿	⦿	⦿	⦿	⦿	⦿
9)	9	I	Y	i	y	ě	ř	ř	⦿	⦿	⦿	⦿	⦿	⦿
a		*	:	J	Z	j	z	č	Ů	ř	⦿	⦿	⦿	⦿	⦿	⦿
b		+	;	K	[k	{	ř	š	ř	⦿	⦿	⦿	⦿	⦿	⦿
c		,	<	L	\	l	!	ř	č	č	⦿	⦿	⦿	⦿	⦿	⦿
d		-	=	M]	m	}	ř	ý	š	⦿	⦿	⦿	⦿	⦿	⦿
e		.	>	N	^	n	~	š	ř	«	⦿	⦿	⦿	⦿	⦿	⦿
f		/	?	O	_	o		š	č	»	⦿	⦿	⦿	⦿	⦿	⦿

Tally Dascom 5130P

Mazovia

hex	0	1	2	3	4	5	6	7	8	9	a	b	c	d	e	f
dez	0	16	32	48	64	80	96	112	128	144	160	176	192	208	224	240
0			0	@	P	'	p	ç	Ę	Ż	☼	L	⊥	α	≡	
1	!	1	A	Q	a	q	ü	ę	ż	☼	⊥	⊥	β	±		
2	"	2	B	R	b	r	é	ł	ó	☼	⊥	⊥	Γ	≥		
3	#	3	C	S	c	s	ā	ō	Ó		⊥	⊥	π	≤		
4	\$	4	D	T	d	t	ä	ö	ń	†	-	⊥	Σ	∫		
5	%	5	E	U	e	u	à	ô	Ń	†	†	⊥	σ	∫		
6	&	6	F	V	f	v	a	ū	ź		⊥	⊥	μ	÷		
7	'	7	G	W	g	w	ç	ū	ż	⊥	⊥	⊥	τ	≈		
8	(8	H	X	h	x	ē	ś	ł	⊥	⊥	⊥	φ	°		
9)	9	I	Y	i	y	ë	ö	ŕ		⊥	⊥	θ	.		
a	*	:	J	Z	j	z	è	ü	ŕ		⊥	⊥	Ω	.		
b	+	;	K	[k	{	ÿ	φ	ż	⊥	⊥	■	δ	√		
c	,	<	L	\	l		ı	ł	ż	⊥	⊥	■	ω	n		
d	-	=	M]	m	}	ć	¥	i	⊥	=	■	∅	²		
e	.	>	N	^	n	~	Ǽ	ś	«	⊥	⊥	■	ε	■		
f	/	?	O	_	o		Ǽ	f	»	⊥	⊥	■	∅	∅		

CP 775

hex	0	1	2	3	4	5	6	7	8	9	a	b	c	d	e	f
dez	0	16	32	48	64	80	96	112	128	144	160	176	192	208	224	240
0			0	@	P	`	p	ć	é	Ǽ	☼	L	ą	ó	-	
1	!	1	A	Q	a	q	ü	æ	ĩ	☼	⊥	č	β	±		
2	"	2	B	R	b	r	é	æ	ó	☼	⊥	ę	ō	"		
3	#	3	C	S	c	s	ā	ō	ž		⊥	è	Ń	¼		
4	\$	4	D	T	d	t	ä	ö	ž	†	-	i	ō	¶		
5	%	5	E	U	e	u	á	ó	ž	Ǽ	†	š	ō	∅		
6	&	6	F	V	f	v	ā	φ	"	č	⊥	⊥	μ	÷		
7	'	7	G	W	g	w	ć	ś	ı	ę	ū	ū	ń	„		
8	(8	H	X	h	x	ı	ś	θ	i	⊥	ž	κ	°		
9)	9	I	Y	i	y	ē	ö	θ		⊥	⊥	κ	.		
a	*	:	J	Z	j	z	ŕ	ü	ŕ		⊥	⊥	⊥	.		
b	+	;	K	[k	{	ŕ	φ	½	⊥	⊥	■	∫	1		
c	,	<	L	\	l		ı	ł	¼	⊥	⊥	■	∅	∅		
d	-	=	M]	m	}	ž	∅	ł	⊥	=	■	∅	2		
e	.	>	N	^	n	~	Ǽ	x	«	š	⊥	⊥	N	■		
f	/	?	O	_	o		Ǽ	ŕ	»	⊥	⊥	■	'	'		

CRO-ASCII

hex	0	1	2	3	4	5	6	7	8	9	a	b	c	d	e	f
dez	0	16	32	48	64	80	96	112	128	144	160	176	192	208	224	240
0			0	2	P	z	p	ç	é	á	☼	Ł	⌘	α	≡	
1		!	1	A	Q	a	q	ü	æ	í	☼	±	⌘	β	±	
2		"	2	B	R	b	r	é	Æ	ó	☼	⌘	⌘	Γ	≥	
3		#	3	C	S	c	s	ã	õ	ú		⌘	⌘	π	≤	
4		\$	4	D	T	d	t	ä	ö	ñ	†	-	⌘	Σ		
5		%	5	E	U	e	u	à	ò	Ñ	†	†	⌘	σ	↓	
6		&	6	F	V	f	v	â	û	â	†	⌘	⌘	μ	+	
7		'	7	G	W	g	w	ç	ù	ó	⌘	⌘	⌘	τ	≈	
8		(8	H	X	h	x	ê	ÿ	ı	⌘	⌘	⌘	φ	•	
9)	9	I	Y	i	y	ë	ÿ	ı	⌘	⌘	⌘	θ	•	
a		*	:	J	Z	j	z	è	Û	ı	⌘	⌘	⌘	Ω	•	
b		+	;	K	Š	k	š	Ÿ	ϕ	½	⌘	⌘	■	δ	f	
c		,	<	L	D	l	d	ı	£	¼	⌘	⌘	■	ω	n	
d		-	=	M	Ć	m	ć	ı	¥	i	⌘	=	■	∅	²	
e		.	>	N	Č	n	č	Å	ℙ	«	⌘	⌘	■	ε	■	
f		/	?	O	_	o		À	f	»	⌘	±	■	∅	n	

Arabic Farsi

hex	0	1	2	3	4	5	6	7	8	9	a	b	c	d	e	f
dez	0	16	32	48	64	80	96	112	128	144	160	176	192	208	224	240
0			0	@	P	'	p	~	⊕		•	⌘	⌘	⌘	⌘	⌘
1		!	1	A	Q	a	q	•	⊕	-	ı	⌘	⌘	⌘	⌘	⌘
2		"	2	B	R	b	r	˘	⊕	ı	⌘	⌘	⌘	⌘	⌘	⌘
3		#	3	C	S	c	s	˘	⊕	⌘	⌘	⌘	⌘	⌘	⌘	⌘
4		\$	4	D	T	d	t	⊕	⊕	⌘	⌘	⌘	⌘	⌘	⌘	⌘
5		%	5	E	U	e	u	'	⊕	ı	⊕	⊕	⊕	⊕	⊕	⊕
6		&	6	F	V	f	v	˘	⊕	⌘	⌘	⌘	⌘	⌘	⌘	⌘
7		'	7	G	W	g	w	˘	⊕	⊕	⊕	⊕	⊕	⊕	⊕	⊕
8		(8	H	X	h	x	'	⊕	⌘	⌘	⌘	⌘	⌘	⌘	⌘
9)	9	I	Y	i	y	˘	⊕	⊕	⊕	⊕	⊕	⊕	⊕	⊕
a		*	:	J	Z	j	z	˘	⊕	⊕	⊕	⊕	⊕	⊕	⊕	⊕
b		+	;	K	[k	{	˘	⊕	⊕	⊕	⊕	⊕	⊕	⊕	⊕
c		,	<	L	\	l		˘	⊕	⊕	⊕	⊕	⊕	⊕	⊕	⊕
d		-	=	M]	m	}	˘	⊕	⊕	⊕	⊕	⊕	⊕	⊕	⊕
e		.	>	N	^	n	~	˘	⊕	⊕	⊕	⊕	⊕	⊕	⊕	⊕
f		/	?	O	_	o		˘	⊕	⊕	⊕	⊕	⊕	⊕	⊕	⊕

Tally Dascom 5130P

Arabic Urdu

hex	0	1	2	3	4	5	6	7	8	9	a	b	c	d	e	f
dez	0	16	32	48	64	80	96	112	128	144	160	176	192	208	224	240
0			0	@	P	'	p	~	⊕		•	ƒ	>	—	⋮	
1		!	1	A	Q	a	q	ل	⊕	-	l	z	ج	ب	'	
2		"	2	B	R	b	r	/	ٲ	ل	ر	ٲ	ج	ب	ع	
3		#	3	C	S	c	s	ل	ٲ	ف	ف	ٲ	ا	ب	د	
4		\$	4	D	T	d	t	⊕	ج	ٲ	E	ٲ	ب	ل	⊕	
5		%	5	E	U	e	u	•	ٲ	ل	0	⊕	ب	ٲ	ٲ	
6		&	6	F	V	f	v	ل	ل	ف	ل	ل	ب	ل	ٲ	
7		'	7	G	W	g	w	/	«	ٲ	U	ٲ	ب	ٲ	ك	
8		(8	H	X	h	x	'	»	ل	n	ٲ	ب	ٲ	⊕	
9)	9	I	Y	i	y	ل	ٲ	ٲ	ٲ	ٲ	ٲ	ٲ	⊕	
a		*	:	J	Z	j	z	/	ٲ	ل	ٲ	ل	ٲ	ٲ	ٲ	
b		+	;	K	[k	{	ٲ	ٲ	ٲ	ٲ	ٲ	ٲ	ٲ	ٲ	
c		,	<	L	\	l		ٲ	ل	•	ٲ	ٲ	ٲ	ٲ	ٲ	
d		-	=	M]	m	}	ٲ	ٲ	⊕	ٲ	ٲ	ٲ	ٲ	ٲ	
e		.	>	N	^	n	~	ٲ	ٲ	⊕	ٲ	ٲ	ٲ	ٲ	⊕	
f		/	?	O	_	o		ٲ	ٲ	⊕	ٲ	ٲ	ٲ	ٲ	ٲ	

GreekDEC

hex	0	1	2	3	4	5	6	7	8	9	a	b	c	d	e	f
dez	0	16	32	48	64	80	96	112	128	144	160	176	192	208	224	240
0			0	@	P	'	p	Α	Ε	ά	•	Υ		ϖ		
1		!	1	A	Q	a	q	E	æ	í	±	A	Π	α	π	
2		"	2	B	R	b	r	H	Æ	ó	²	B	P	β	ρ	
3		#	3	C	S	c	s	I	ō	ú	³	Γ	Σ	γ	σ	
4		\$	4	D	T	d	t	ä	ö	ñ	†	Δ	T	δ	τ	
5		%	5	E	U	e	u	à	ò	¥	‡	E	Υ	ε	υ	
6		&	6	F	V	f	v	â	û	!	Z	Φ	ζ	φ		
7		'	7	G	W	g	w	ç	ù	§	π	H	X	η	x	
8		(8	H	X	h	x	ê	ö	¿	‡	Θ	Ψ	θ	ψ	
9)	9	I	Y	i	y	ë	ÿ	⊕	I	Q	ι	ω		
a		*	:	J	Z	j	z	è	ð	⊕	K	ά	κ	ς		
b		+	;	K	[k	{	ÿ	ε	«	»	Λ	έ	ñ	ú	
c		,	<	L	\	l		τ	ε	‡	‡	M	ή	μ	ώ	
d		-	=	M]	m	}	î	¥	‡	‡	N	ί	v	²	
e		.	>	N	^	n	~	Ä	℞	«	‡	≡		ξ	⊕	
f		/	?	O	_	o		À	f	»	‡	O	ó	o		

Greek ELOT 928

hex	0	1	2	3	4	5	6	7	8	9	a	b	c	d	e	f
dez	0	16	32	48	64	80	96	112	128	144	160	176	192	208	224	240
0			0	@	P	'	p					*		Π	ϖ	π
1		!	1	A	Q	a	q			"	±	A	P	α	ρ	
2		"	2	B	R	b	r				²	B		β	σ	
3		#	3	C	S	c	s				³	Γ	Σ	γ	ς	
4		\$	4	D	T	d	t		Ω	'	Δ	T	δ	τ		
5		%	5	E	U	e	u		¥		E	Υ	ε	υ		
6		&	6	F	V	f	v		!	Α	Z	Φ	ζ	φ		
7		'	7	G	W	g	w		§		H	X	η	χ		
8		(8	H	X	h	x		¨	E	Θ	Ψ	θ	ψ		
9)	9	I	Y	i	y		©	H	I	Ω	ι	ω		
a		*	:	J	Z	j	z		®	I	K	Υ	κ	ϣ		
b		+	;	K	[k	[«	»	Λ	Υ	λ	υ		
c		,	<	L	\	l					∅	M	ά	μ	ό	
d		-	=	M]	m]				½	N	έ	ν	ύ	
e		.	>	N	^	n	~				Υ	Ξ	ή	ξ	ώ	
f		/	?	O	_	o					∅	O	ί	ο		

11 Control Codes Summary

Epson Emulation Command List

Command Sequence	Function
BEL	Beeper
BS	Backspace
HT	Tab horizontally
LF	Line feed
VT	Tab vertically
FF	Form feed
CR	Carriage return
SO	Select double-width printing (one line)
SI	Select condensed mode
DC1	Online
DC2	Cancel condensed mode
DC3	Offline
DC4	Cancel double-wide mode (one line)
CAN	Cancel line
DEL	Delete character
ESC SO	Select double-width printing (one line)
ESC SI	Select condensed mode
ESC SP n	Set intercharacter space
ESC EM n	NA
ESC ! n	Print mode setup
ESC (- n1 n2 m d1 d2	Choose character lineation
ESC \$ n1 n2	Select absolute horizontal print position
ESC n	Set left margin
ESC % n	Select user-defined set
ESC &	Define user-defined set
ESC (^ n m d1 d2...	Print data in character style
ESC (G NUL d	Select graphics mode
ESC * m n1 n2...	Select image mode
ESC . c v h m nL nH d1 d2...	Print raster graphics
ESC + n	Select n/360" line spacing
ESC - n	Underline on/off
ESC / n	Select vertical orientation channel
ESC (C NUL n m	Set page length
ESC (c NUL nt mt nb mb	Page setup
ESC (U NUL n	Set unit
ESC 0	Set 1/8" line spacing
ESC 2	Set 1/6" line spacing
ESC 3 n	Set n/180" line spacing
ESC 4	Set Italic
ESC 5	Cancel Italic
ESC 6	Enable printable characters
ESC 7	Enable upper control characters

Tally Dascom 5130P

ESC :	CopyROM to RAM
ESC <	Unidirectional mode(1line)
ESC >	Set MSB to 1
ESC =	Set MSB to 0
ESC #	Cancel MSB control
ESC ? n m	Reassigngraphics mode
ESC @	Initialize printer
ESC \ n1 n2	Set relative horizontal printposition
ESC A n	Set n/60"line spacing
ESC B...NUL	Set/cancel vertical tabs
ESC C n	Set pagelength in lines
ESC D...NUL	Set/cancel horizontal tabs
ESC E	Select Bold
ESC F	Cancel Bold
ESC G	Select double-strike mode
ESC H	Cancel double-strike mode
ESC J n	Perform tactic n/180"line feed
ESC K n1 n2 ...	Select 8 pins single-density graphics
ESC L n1 n2 ...	Select 8 pins double-density graphics
ESC M	Select ELITE (12CPI)
ESC N n	Set bottommargin
ESC O	Cancel bottommargin
ESC P	Select PICA (10CPI)
ESC Q n	Set right margin
ESC R n	International character set
ESC S n	Select superscript/subscript
ESC T	Cancel superscript/subscript
ESC U n	Select unidirectional/bidirectional printing mode
ESC (V NUL n m	Select absolute vertical print position
ESC W n	Turn Double-wide mode on/off
ESC X n1 n2	Select font by pitch and point
ESC Y n1 n2 ...	Select 8 pins, highspeed, double-density graphics
ESC Z n1 n2 ...	Select 8 pins, highspeed fourfold -density graphics
ESC a n	Select justification
ESC b n	Select vertical orientation channel
ESC c n m	Set horizontal intercharacter space
ESC g	Select 15CPI
ESC j n	Perform reverse n/180"line feed
ESC k n	Select typeface
ESC p n	Turn proportional mode on/off
ESC q n	Select character style
ESC r n	Select printing colour
ESC t n	Select character table
ESC (t n L n H d1 d2 d3	Assign character table
ESC (v NUL n m	Set relative vertical print position
ESC w n	Turn double-high mode on/off
ESC x n	Select print quality
ESC (B n1 n2 k m s v1 v2 c	Barcode print

IBM Emulation Command List

Command Sequence	Function
BEL	Beeper
BS	Backspace
HT	Tab horizontally
LF	Line feed
VT	Tab vertically
FF	Form feed
CR	Enter
SO	Select double-wide mode
SI	Select condensed mode
DC1	Online
DC2	Select 10CPI
DC3	Offline
DC4	Cancel double-wide mode(one line)
CAN	Cancel buffer
ESC BEL	Beeper
ESC BS	Backspace
ESC HT	Tab horizontally
ESC CR	Enter
ESC LF	Line feed
ESC SO	Select double-wide mode
ESC SI	Select condensed mode
ESC DC1	Online
ESC DC2	Select 10CPI
ESC DC3	Offline
ESC DC4	Cancel double-wide mode(one line)
ESC CAN	Cancel buffer
ESC FF	Form feed
ESC EM n	Automatically Feed Paper mode
ESC :	Set 12CPI
ESC VT	Tab vertically
ESC 0	Select 1/8" line spacing
ESC 1	Select 7/72" line spacing
ESC 2	Select 1/6" line spacing or activate ESC A n command
ESC 3 n	Select n/216" or 1/180" line spacing
ESC 4	Set top margin
ESC 5 n	Automatic Line Feed
ESC 6	Select character set 2
ESC 7	Select character set 1
ESC =	NA
ESC \	Print continuously from all character chart
ESC ^	Print single character from all character chart
ESC A n	Select n/72" or n/60" line spacing
ESC B n	Select Tab vertically
ESC C n	Set page length in lines

Tally Dascom 5130P

ESC C NUL n	Set page length in inches
ESC D	Select Tab horizontally
ESC E	Select bold
ESC F	Cancel bold
ESC G	Select double-strike mode
ESC H	Cancel double-strike mode
ESC I n	Select printing mode
ESC J n	Perform n/180" or n/216" single line feed
ESC K n1 n2 V1 V2 ... Vn	Normal density graphics
ESC L n1 n2 V1 V2 ... Vn	Dual-Density Bit Image Graphics (Half Speed)
ESC N n	Select bottom margin
ESC O	Cancel bottom margin
ESC P n	Set proportional intercharacter
ESC Q n	Offline
ESC R	Clear tab
ESC S n	Select superscript/subscript
ESC T	Cancel superscript/subscript
ESC U n	Select bidirectional printing on/off
ESC W n	Select double-wide printing mode (continuous)
ESC X n m	Set left and right margin
ESC Y n1 n2 V1 V2 ... Vn	Select double-density graphics
ESC Z n1 n2 V1 V2 ... Vn	Select fourfold-density graphics
ESC [n1 n2 m1 m2	Select line
ESC [@ n1 n2 m1 m2 m3 m4	Select printing mode
ESC [n1 n2 Hf Ls Hs Lf Sm NUL Hc Lc	Select font and pitch
ESC [K n1 n2 initid para1 para2 ... paran	Set initialization condition
ESC [T n1 n2 n3 n4 Hc Lc	Set code page
ESC [\	Set vertical unit
ESC [d	Select printing quality
ESC [f n1 n2 k m s v1 v2c	Set barcode parameters
ESC [g n1 n2 m	Select high-density graphics printing
ESC [p n1 n2	Set barcode data
ESC]	Feed paper in reverse direction
ESC _ n	Print upper-line
ESC - n	Print underline
ESC d n m	Move the current printing position
ESC j	Stop printing
ESC r n	Select printing colour
ESC * m	Select graphic mode

If you need more details regarding the emulation commands, please contact us.

FCC STATEMENT

1. This device complies with Part 15 of the FCC Rules. Operation is subject to the following two conditions:

- a. This device may not cause harmful interference.
- b. This device must accept any interference received, including interference that may cause undesired operation.

2. Changes or modifications not expressly approved by the party responsible for compliance could void the user's authority to operate the equipment.

NOTE: This equipment has been tested and found to comply with the limits for a Class B digital device, pursuant to Part 15 of the FCC Rules. These limits are designed to provide reasonable protection against harmful interference in a residential installation.

This equipment generates uses and can radiate radio frequency energy and, if not installed and used in accordance with the instructions, may cause harmful interference to radio communications. However, there is no guarantee that interference will not occur in a particular installation. If this equipment does cause harmful interference to radio or television reception, which can be determined by turning the equipment off and on, the user is encouraged to try to correct the interference by one or more of the following measures:

Re-orientate or relocate the receiving antenna.

Increase the separation between the equipment and receiver.

Connect the equipment into an outlet on a circuit different from that to which the receiver is connected.

Consult the dealer or an experienced radio/TV technician for help

DASCOM REPRESENTATIVES

GERMANY

DASCOM Europe GmbH
Heuweg 3
D-89079 Ulm
Deutschland
Tel.: +49 (0) 731 2075 0
Fax: +49 (0) 731 2075 100
www.dascom.com

UNITED KINGDOM

DASCOM GB Ltd
ViewPoint, Basing View,
Basingstoke, Hampshire
RG21 4RG, England
Phone: +44 (0) 1256 481481
Fax: +44 (0) 1256 481400
www.dascom.com

RUSSIA and CIS

DASCOM Europe GmbH
Representation Moscow
Leninsky Prospekt 95a, Office 322
119313 Moscow, Russian Federation
Phone: +7 (495) 984 70 65
Fax: +7 (495) 984 56 42
www.dascom.com

SINGAPORE (ASIA PACIFIC)

DASCOM AP Pte Ltd
63 Hillview Avenue
#08-22, Lam Soon Industrial Building
Singapore 669569
Phone: +65 6760 8833
Fax: +65 6760 1066
www.dascom.com.sg

AMERICAS

DASCOM Americas Corporation
421 W. Main Street, Waynesboro,
VA 22980, USA
Phone: +1 (877) 434 13 77
www.dascom.com

FRANCE

DASCOM Europe GmbH
117 Avenue Victor Hugo
92100 Boulogne-Billancourt
France
Phone: +33 (1) 73 02 51 98
www.dascom.com

CEE

DASCOM Europe GmbH
Europaring F15 301
2345 Brunn a. G.
Austria
Phone: +43 (1) 236 01 70 10
www.dascom.com

"All rights reserved. Translations, reprinting or copying by any means of this manual complete or in part or in any different form requires our explicit approval. We reserve the right to make changes to this manual without notice. All care has been taken to ensure accuracy of information contained in this manual. However, we cannot accept responsibility for any errors or damages resulting from errors or inaccuracies of information herein."