

**Power-LOAD™
Cot Fastener System**

REF Model 6390

stryker®

Operations/Maintenance Manual



For parts or technical assistance:
USA: 1-800-327-0770

Table of Contents















Symbols and Definitions	5
Symbols	5
Warning/Caution/Note Definition	6
Introduction	7
Product Description	7
Intended Use of Product	7
Product Illustration	7
Important Contact Information	8
Stryker Contact Information	8
Serial Number Location	8
Specifications	9
Summary of Safety Precautions	11
Pinch Points	13
Vehicle Cot Compatibility Information	14
Installation Setup Procedures	15
Floor Plate Assembly Installation Component Checklist	15
Power-LOAD Assembly Installation Component Checklist	16
Optional Wheel Guide Assembly Installation Component Checklist	17
Quality System Regulation for Installation	18
Quality System Regulation	18
Floor Plate Installation Guidelines	19
Installation Guide	21
Installing the Floor Plate (with a Wood Floor)	21
Installing the Power-LOAD System	27
Installing The Optional Wheel Guide	34
Installing Cot Wheel Covers	37
Power-LOAD Installation Checklist	38
User Setup Procedures	40
User Controls and LED Indicators	41
Manual User Controls	43
Power-PRO Cot User Controls	44
Using the Cot Control Switches	44
Checking the Cot Battery Power Level	45
Powered Operations Instructions	46
Manual Operations Instructions	47
Operation Guide	48
Operating Guidelines	48
Checking the Battery Power Level	49
Charging the Battery	49
Storing Power-LOAD	49
Setting the Cot Load Height	49
Using a Non-Upgraded X-Frame Cot for a Mass Casualty Incident	50
Extending Power-LOAD from the Vehicle without a Cot	50
Loading a Performance-PRO Cot into a Vehicle (Model 6085/6086 with the Power-LOAD Option)	51
Unloading a Performance-PRO Cot from a Vehicle (Model 6085/6086 with the Power-LOAD Option)	53

Table of Contents

Loading a Power-PRO Cot into a Vehicle (Model 6500/6506 & 6510/6516 with the Power-LOAD Option)	55
Unloading a Power-PRO Cot from a Vehicle (Model 6500/6506 & 6510/6516 with the Power-LOAD Option) . . .	57
Unloading a Cot From a Vehicle Manually (Power-LOAD Power Loss or System Error)	59
Loading a Cot into a Vehicle Manually (Power-LOAD Power Loss or System Error)	61
Unloading a Cot from a Vehicle Manually	62
Removing a Cot from a Vehicle for Repair	63
Loading a Cot into a Vehicle Manually (Power-PRO Power Loss)	64
Cleaning.	66
Cleaning Procedure	66
Cleaning Limitations.	66
Removal of Iodine Compounds	67
Preventative Maintenance	68
Warranty	69
Stryker EMS Return Policy	70
Return Authorization.	70
Damaged Merchandise	70
International Warranty Clause.	70
Patent Information	70
EMC Information.	71

Symbols and Definitions

SYMBOLS

	Warning, consult accompanying documentation
	Safe Working Load
	Maximum Weight
	Dangerous Voltage
	Pinch Point
	Class II Equipment: equipment in which protection against electric shock does not rely on basic insulation only, but in which additional safety precautions such as double insulation or reinforced insulation are provided, there being no provision for protective earthing or reliance upon installation conditions.
	Direct Current
	Type B Equipment: equipment providing a particular degree of protection against electric shock, particularly regarding allowable leakage current and reliability of the protective earth connection.
	Internally Powered.
	ME EQUIPMENT or ME EQUIPMENT parts that include RF transmitters or that apply RF electromagnetic energy for diagnosis or treatment
	Medical Equipment Recognized by Underwriters Laboratories Inc. With Respect to Electric Shock, Fire, and Mechanical Hazards Only in Accordance with UL 60601-1, and CAN/CSA C22.2 No. 601.1.
	The Rechargeable Battery Recycling Corporation (RBRC) is a non-profit, public service organization that promotes the recycling of portable rechargeable batteries. Batteries must be delivered to a battery collection site. Visit the RBRC website (www.rbrc.org) to find a nearby collection site or call the phone number shown on the recycling symbol.
	In accordance with European Directive 2002/96/EC on Waste Electrical and Electronic Equipment, this symbol indicates that the product must not be disposed of as unsorted municipal waste, but should be collected separately. Refer to your local distributor for return and/or collection systems available in your country.
	Manufacturer

Symbols and Definitions

WARNING/CAUTION/NOTE DEFINITION

The words WARNING, CAUTION and Note carry special meanings and should be carefully reviewed.

WARNING

Alerts the reader about a situation which, if not avoided, could result in death or serious injury. It may also describe potential serious adverse reactions and safety hazards.

CAUTION

Alerts the reader of a potentially hazardous situation which, if not avoided, may result in minor or moderate injury to the user or patient or damage to the equipment or other property. This includes special care necessary for the safe and effective use of the device and the care necessary to avoid damage to a device that may occur as a result of use or misuse.

Note

Provides special information to make maintenance easier or important instructions clearer.

Introduction

This manual is designed to provide instructions for the operation and maintenance of the Stryker 6390 **Power-LOAD™**. Read it thoroughly before installing or using the equipment or beginning any maintenance on it.

PRODUCT DESCRIPTION

The Stryker 6390 Power-LOAD is designed to assist the user in loading the cot into a vehicle, unloading the cot from the vehicle, and to restrict the movement of the cot as it is being transported in the vehicle patient compartment under normal conditions. Usage of this product in any other way becomes the complete responsibility of the owner/user. Caution must be used at all times during placement of the cot into the vehicle patient compartment.

INTENDED USE OF PRODUCT

The Stryker 6390 Power-LOAD is intended to aid in the loading and unloading of a cot, patient and corresponding equipment to and from an ambulance/transport vehicle and holding of the cot during the transport (transports include from an emergency scene or patient location to a medical care center, from a medical care center to a medical care center, from a nursing home to another facility, etc). The safe working load of the system is 870 lb (395 kg), with a maximum patient weight of 700 lb (318 kg). Users of the device will be emergency medical service and medical care center personnel, as well as medical first responders, service technicians and installers. The device has an expected life of 7 years.

PRODUCT ILLUSTRATION

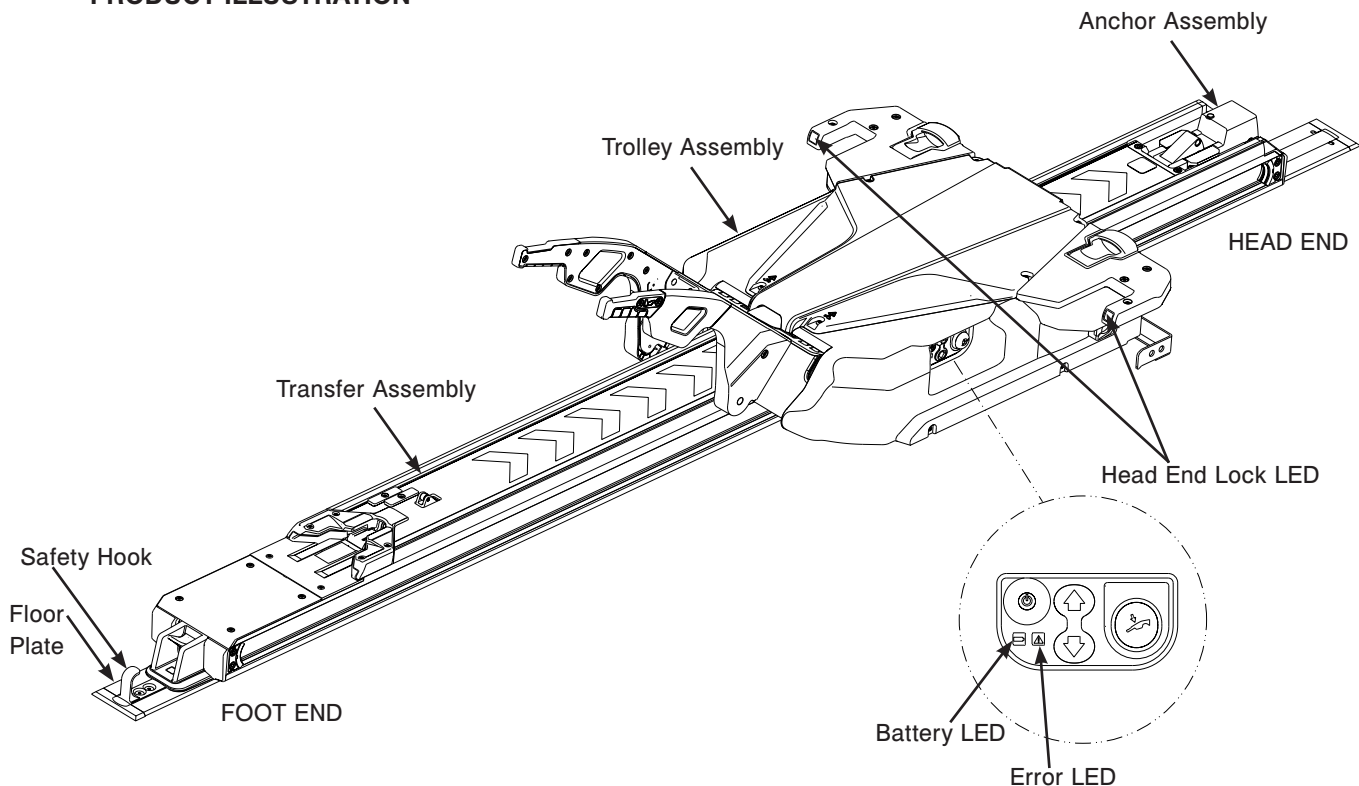


Figure 1: Product Illustration

Introduction

IMPORTANT CONTACT INFORMATION

For information about Federal Ambulance Specification KKK-A-1822, contact:
Chief, Automotive & Commodity Management Branch (QMDAA)
Office of Motor Vehicle Management
General Services Administration
2200 Crystal Drive, Suite 1006
Arlington, VA 22202
Telephone: 703-605-2277

For more information about AMD standards, contact:
Ambulance Manufacturers Division
(National Truck Equipment Association)
37400 Hills Tech Drive
Farmington Hills, MI 48331-3414

STRYKER CONTACT INFORMATION

Contact Stryker Customer Service or Technical Support at (800) 327-0770.
Stryker Medical
3800 E. Centre Avenue
Portage, MI 49002
USA

Please have the serial number (A) of your Stryker product available when calling Stryker Customer Service or Technical Support. Include the serial number in all written communication.

SERIAL NUMBER LOCATION

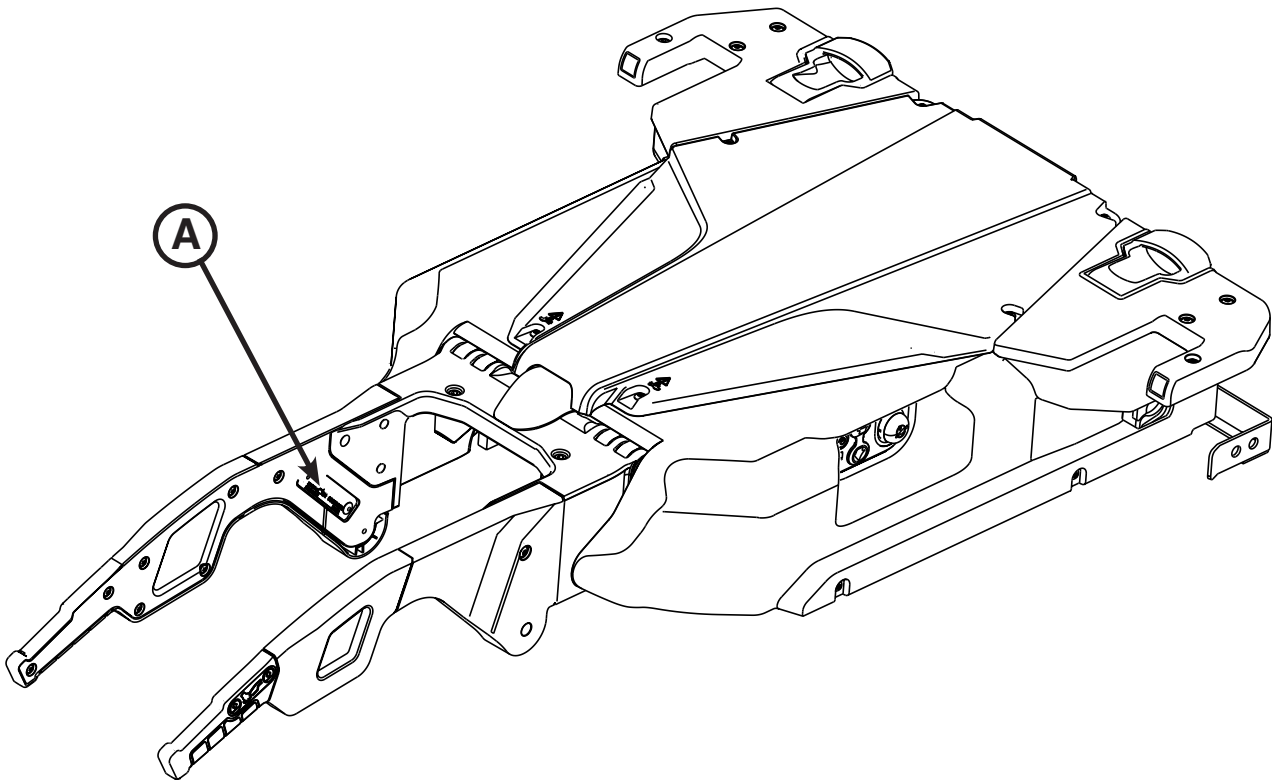



Figure 2: Serial Number Location

Introduction

SPECIFICATIONS

 Safe Working Load Note: Safe Working Load represents the sum of the cot total weight and patient	870 lb	395 kg
Maximum Lift Capacity (patient and accessories)	700 lb	318 kg
Overall Length/Minimum Length/Width	95 in / 85 in / 24.5 in	241 cm / 216 cm / 62 cm
Weight		
Floor Plate Assembly	16.5 lb	7.5 kg
Anchor Assembly	23 lb	10.5 kg
Transfer Assembly	67 lb	30.5 kg
Trolley Assembly	105 lb	48 kg
Minimum Operators Required for Loading/ Unloading an Occupied Cot	2	
Minimum Operators Required for Loading/ Unloading an Unoccupied Cot	1	
Recommended Loading Height	22 in to 36 in	56 cm to 91 cm
Hydraulic Oil	Mobil Mercon® V Synthetic Blend Oil (6500-001-293)	
Electrical Requirements	12.8V-15.6V $\overline{\text{---}}$, 15A breaker, 2 conductor 10 AWG cable	
Battery Duty Cycle, Charging	100%	
Battery Duty Cycle, Loading	10% (33 sec On / 5 min Off)	
Battery	12V $\overline{\text{---}}$, 5 Ah Lead Acid Battery (6390-001-468)	
Standards	IEC 60601-1 CAN/CSA-C22.2 No. 601.1-M90 UL 60601-1 IEC 60601-1-2:2007	

Stryker reserves the right to change specifications without notice.

Patents pending.

The yellow and black color scheme is a proprietary trademark of Stryker Corporation.

WARNING

- Do not operate Power-LOAD using a voltage inconsistent with the rating on the unit.
- To avoid the risk of equipment damage or smoke hazard, do not use Power-LOAD above its duty cycle.
- To ensure performance and prevent power hazards, connect Power-LOAD to a 12.8V-15.6V DC vehicle circuit that is on a 15A breaker. Do not connect Power-LOAD to a 24V DC vehicle circuit.

CAUTION

- Changes or modifications to the Power-LOAD system not expressly approved by Stryker could void the user's authority to operate the system.
- This equipment has been tested and found to comply with the limits for a Class A digital device, pursuant to part 15 of the FCC Rules. These limits are designed to provide reasonable protection against harmful interference when the equipment is operated in a commercial environment. This equipment generates, uses, and can radiate radio frequency energy and, if not installed and used in accordance with the instruction manual, may cause harmful interference to radio communications. Operation of this equipment in a residential area is likely to cause harmful interference in which case the user will be required to correct the interference at their expense.

Introduction

SPECIFICATIONS (CONTINUED)

Environmental Conditions	Operation	Storage
Temperature	<p>A line graph showing a temperature range from -30°F (-34°C) to 130°F (54°C). The line starts at -30°F, rises to 130°F, and then levels off.</p>	<p>A line graph showing a temperature range from -30°F (-34°C) to 158°F (70°C). The line starts at -30°F, rises to 158°F, and then levels off.</p>
Relative Humidity	<p>A line graph showing a relative humidity range from 0% to 93%. The line starts at 0%, rises to 93%, and then levels off. There are three water droplets above the line.</p>	<p>A line graph showing a relative humidity range from 0% to 93%. The line starts at 0%, rises to 93%, and then levels off. There are three water droplets above the line.</p>

Summary of Safety Precautions

Carefully read and strictly follow the warnings and cautions listed on this page. Service only by qualified personnel.

WARNING

- Do not operate Power-LOAD using a voltage inconsistent with the rating on the unit.
- To avoid the risk of equipment damage or smoke hazard, do not use Power-LOAD above its duty cycle.
- To ensure performance and prevent power hazards, connect Power-LOAD to a 12.8V-15.6V DC vehicle circuit that is on a 15A breaker. Do not connect Power-LOAD to a 24V DC vehicle circuit.
- Power-LOAD is designed to be compatible with the Performance-PRO XT, Power-PRO XT, and Power-PRO IT cots with the Power-LOAD option only. In certain situations, you can use Power-LOAD as a standard antler for most X-frame cots, but a rail clamp assembly is required for all cots without the Power-LOAD option.
- It is the responsibility of the cot operator to ensure that the cot being used in the Stryker Model 6390 Power-LOAD system is a Power-LOAD compatible cot. Injury may result if a non-compatible cot is used in the Stryker Model 6390 Power-LOAD system.
- Improper installation can result in injury. Install the Stryker Model 6390 Power-LOAD system as described in this manual. Ensure that, at a minimum, your configuration with Power-LOAD is tested to meet AMD Standard 004.
- Take special precautions regarding electromagnetic compatibility (EMC) when using medical electrical equipment like Power-LOAD. Install and place Power-LOAD into service according to the EMC information in this manual. Portable and mobile RF communications equipment can affect the function of Power-LOAD.
- To avoid the risk of personal injury or equipment damage, properly secure the item that you are cutting and be aware of the area around your cutting location. Always wear appropriate eye protection while operating a saw.
- During installation, always wear safety glasses and a face mask while operating a router.
- To avoid the risk of personal injury or vehicle damage, be aware of items around and below the electrical inlet during floor plate installation.
- Ensure that all gaps to the exterior of the vehicle are sealed to prevent exhaust fumes from entering the vehicle patient compartment.
- To prevent exhaust fumes from entering the vehicle patient compartment, route the drain tube under the vehicle away from the exhaust system.
- To avoid the risk of personal injury or vehicle damage, be aware of items around and below the anchor to vehicle cable during floor plate installation.
- Failure to install the safety hook can cause injury to the patient or operator. Install and use the safety hook as described in this manual.
- To avoid the risk of injury, two installers are required when lifting and positioning the transfer assembly.
- To avoid the risk of injury, keep hands and fingers clear of all moving mechanisms.
- To avoid the risk of injury, two installers are required when lifting and positioning the trolley assembly.
- To avoid the risk of patient injury, adjust the cot height to match the vehicle deck height as described in the appropriate cot operations/maintenance manual for your cot model.
- Improper usage of the Power-LOAD system or any accessory can cause injury to the patient or operator. Operate the Power-LOAD system and accessories only as described in the manuals.
- For manual operations, the operator must support the foot end of the cot.
- Failure to ensure proper Power-LOAD functionality prior to use may result in patient and/or operator injury.
- Use caution while moving around in the vehicle patient compartment to avoid tripping on Power-LOAD.
- To avoid the risk of operator and/or patient injury, use caution when operating Power-LOAD in adverse weather conditions (for example, rain, ice, snow).
- Entanglement in powered cot and/or Power-LOAD mechanisms can cause serious injury. Operate the cot and/or Power-LOAD only when all persons are clear of the mechanisms.
- Practice loading and unloading the cot with Power-LOAD until operation of the product is fully understood. Improper use can cause injury.
- Do not allow untrained personnel to assist in the operation of Power-LOAD. Untrained technicians/personnel can cause injury to the patient or themselves.
- To reduce the risk of patient injury and/or equipment damage, do not drive the vehicle with the trolley in the mid position. This position does not lock and is not intended for driving.
- Power-LOAD is only an assisting device. Operators are responsible for evaluating each situation to determine how to distribute and lift the weight being transported. Always use both hands when handling the cot.
- When handling weights over 400 lb (181 kg), ensure there are enough operators to handle the forces required for loading/unloading. To increase safety, users should attempt to perform loading/unloading on flat surfaces.

[Return To Table of Contents](#)

Summary of Safety Precautions

WARNING (CONTINUED)

- Keep hands and extremities clear of the Power-LOAD trolley lifting arms and the cot base during powered loading and unloading.
 - Return damaged batteries to a service center for recycling. Do not dispose of the battery.
 - To reduce the risk of electric shock, do not remove the battery when Power-LOAD in operation.
 - Before servicing Power-LOAD, disconnect the vehicle battery, press the main power button to turn the unit off, and then place the trolley into the loading position.
 - Do not press the main power button to turn the unit off during normal use as it will prevent battery charging.
 - To prevent the cot frame from coming out of the rail jaws, the space between the rail clamp and the rail stationary jaw must never exceed 1 in (2.5 cm). To prevent the cot from coming out of the rail jaws and causing possible injury to the patient or user, the rail clamp must not overlap the red adjustment limit label on the rail tube.
 - The rail clamp fastener closes with a strong spring action. To avoid injury, do not use hand or fingers to press the manual trolley release button when the rail jaws are open.
 - Loading and/or unloading an occupied cot into a vehicle requires a minimum of two (2) trained operators.
 - Make sure that all occupants enter the vehicle patient compartment after the Power-LOAD compatible cot has been loaded into the vehicle patient compartment.
 - As the cot is unlocked for removal from the vehicle patient compartment, the Power-LOAD lifting arms will slightly raise the cot. If the lifting arms do not raise the cot, then the operators must be ready to accept the entire weight of the cot and patient to avoid injury.
 - When unloading the cot, ensure that the cot wheels are on the ground before lowering the arms.
 - When unloading a cot from the vehicle patient compartment while Power-LOAD is experiencing a power loss or system error, the operators must be ready to accept the entire weight of the cot and patient.
 - Removing a cot from a vehicle for repair requires a minimum of two (2) trained operators.
 - Always press the main power button to turn the unit off before service or cleaning.
 - Use any appropriate personal safety equipment, such as goggles or respirators, to avoid the risk of inhaling contagion.
 - **SOME CLEANING PRODUCTS ARE CORROSIVE IN NATURE AND MAY CAUSE DAMAGE TO THE PRODUCT IF USED IMPROPERLY.** If the products described above are used to clean Stryker patient care equipment, measures must be taken to insure the units are wiped with clean water and thoroughly dried following cleaning. Failure to properly rinse and dry the units will leave a corrosive residue on the surface of the units, possibly causing premature corrosion of critical components.
 - To avoid the risk of injury, replace Power-LOAD if it has been involved in an accident. A fastener that has been involved in an accident may be damaged, possibly causing failure to operate properly.
-

CAUTION

- Changes or modifications to the Power-LOAD system not expressly approved by Stryker could void the user's authority to operate the system.
 - This equipment has been tested and found to comply with the limits for a Class A digital device, pursuant to part 15 of the FCC Rules. These limits are designed to provide reasonable protection against harmful interference when the equipment is operated in a commercial environment. This equipment generates, uses, and can radiate radio frequency energy and, if not installed and used in accordance with the instruction manual, may cause harmful interference to radio communications. Operation of this equipment in a residential area is likely to cause harmful interference in which case the user will be required to correct the interference at their expense.
 - When installing the anchor assembly, ensure that the wires rest inside of the floor plate assembly channel and are not pinched by the anchor assembly.
 - When installing the transfer assembly, slowly slide the transfer assembly to avoid breaking the cot inductive charge housing.
 - To avoid the risk of vehicle damage, be aware of items around your selected drill hole locations during installation.
 - The manual overrides allow the Power-LOAD system to move freely.
 - Possible fire hazard when used with oxygen administering equipment of other than nasal, mask or 1/2 bed length tent type. Oxygen tent should not extend below mattress support level nor be used around Power-LOAD or a Power-LOAD compatible cot.
-

Summary of Safety Precautions

CAUTION (CONTINUED)

- To avoid the risk of equipment damage, do not slam the cot into the trolley when loading.
- To avoid the risk of equipment damage, do not push the cot into the vehicle patient compartment until the cot base is fully retracted.
- Do not let go of the manual release until the cot locks into position at the head end. If you let go too early, then the cot base may prevent the cot from properly locking into Power-LOAD.
- DO NOT STEAM CLEAN OR ULTRASONICALLY CLEAN THE UNIT.
- Maximum water temperature should not exceed 180°F/82°C.
- Allow unit to air dry prior to use.
- Failure to comply with these instructions may invalidate any/all warranties.

PINCH POINTS

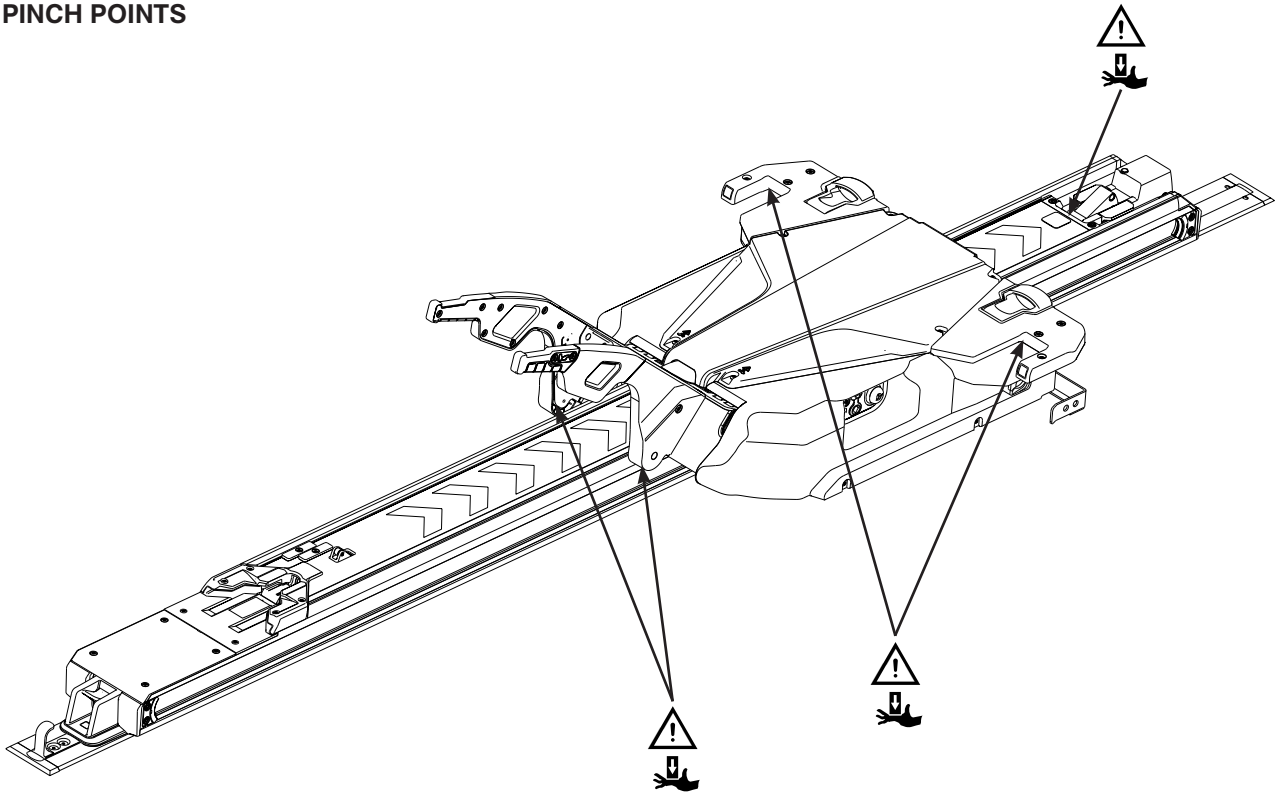


Figure 3: Pinch Points

Vehicle Cot Compatibility Information

The Stryker Model 6390 Power-LOAD system is designed to be fully compatible with cots with the Power-LOAD compatible option only. Vehicle cots which currently meet these specifications are:

- Model 6085 **Performance-PRO™** XT with the Power-LOAD option (compatibility kit - 6085-700-010)
- Model 6086 **Performance-PRO™** XT with the Power-LOAD option (compatibility kit - 6086-700-001)
- Model 6500 **Power-PRO™** XT with the Power-LOAD option (compatibility kit - 6500-700-049)
- Model 6506 **Power-PRO™** XT with the Power-LOAD option (compatibility kit - 6506-700-001)
- Model 6510 **Power-PRO™** IT with the Power-LOAD option (compatibility kit - 6510-700-001)
- Model 6516 **Power-PRO™** IT with the Power-LOAD option (compatibility kit - 6516-700-001)

 **WARNING**

- Power-LOAD is designed to be compatible with the Performance-PRO XT, Power-PRO XT, and Power-PRO IT cots with the Power-LOAD option only. In certain situations, you can use Power-LOAD as a standard antler for most X-frame cots, but a rail clamp assembly is required for all cots without the Power-LOAD option.
 - It is the responsibility of the cot operator to ensure that the cot being used in the Stryker Model 6390 Power-LOAD system is a Power-LOAD compatible cot. Injury may result if a non-compatible cot is used in the Stryker Model 6390 Power-LOAD system.
-

Installation Setup Procedures

FLOOR PLATE ASSEMBLY INSTALLATION COMPONENT CHECKLIST

Follow this component checklist to ensure that you have all of the required components to properly install the Power-LOAD system. For installation instructions, see “Installing the Floor Plate (with a Wood Floor)” on [page 21](#).

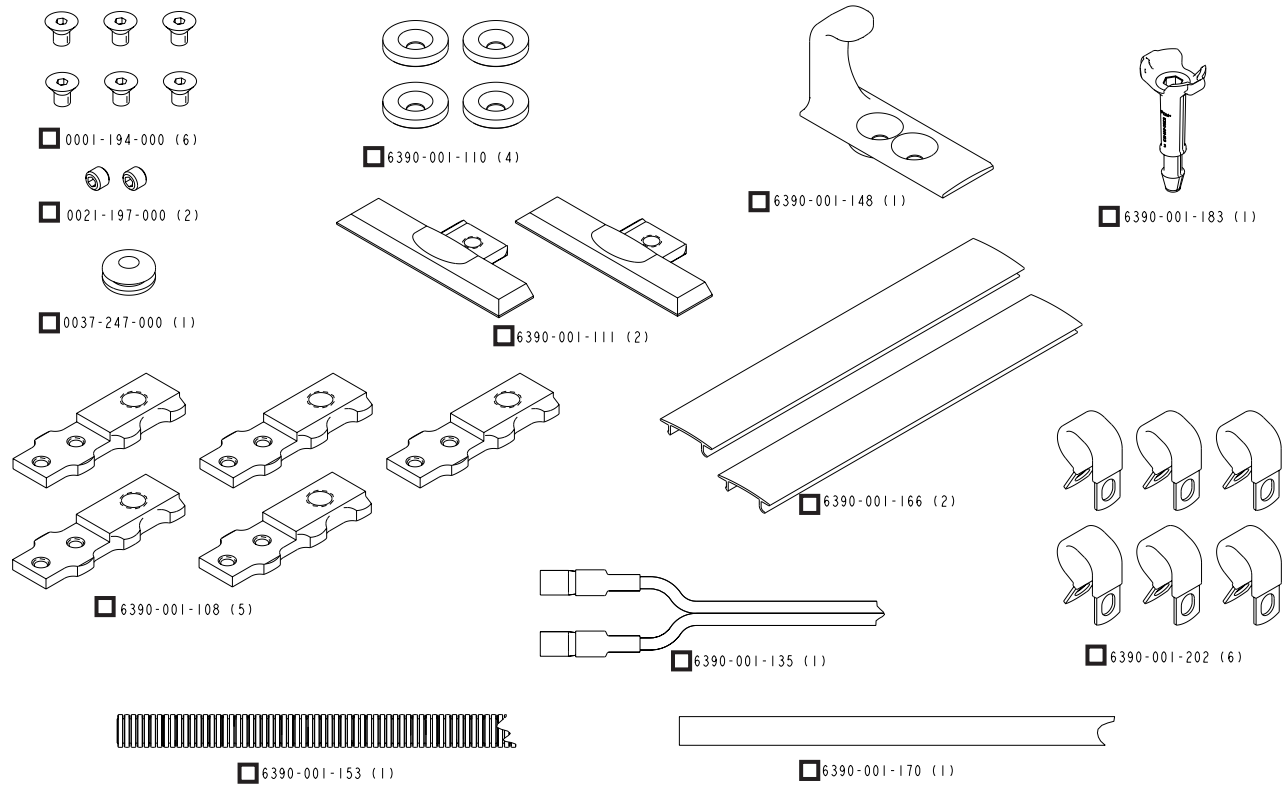


Figure 4: Floor Plate Installation Kit Components (6390-001-055)

Installation Setup Procedures

POWER-LOAD ASSEMBLY INSTALLATION COMPONENT CHECKLIST

Follow this component checklist to ensure that you have all of the required components to properly install the Power-LOAD system. For installation instructions, see “Installing the Power-LOAD System” on [page 27](#).

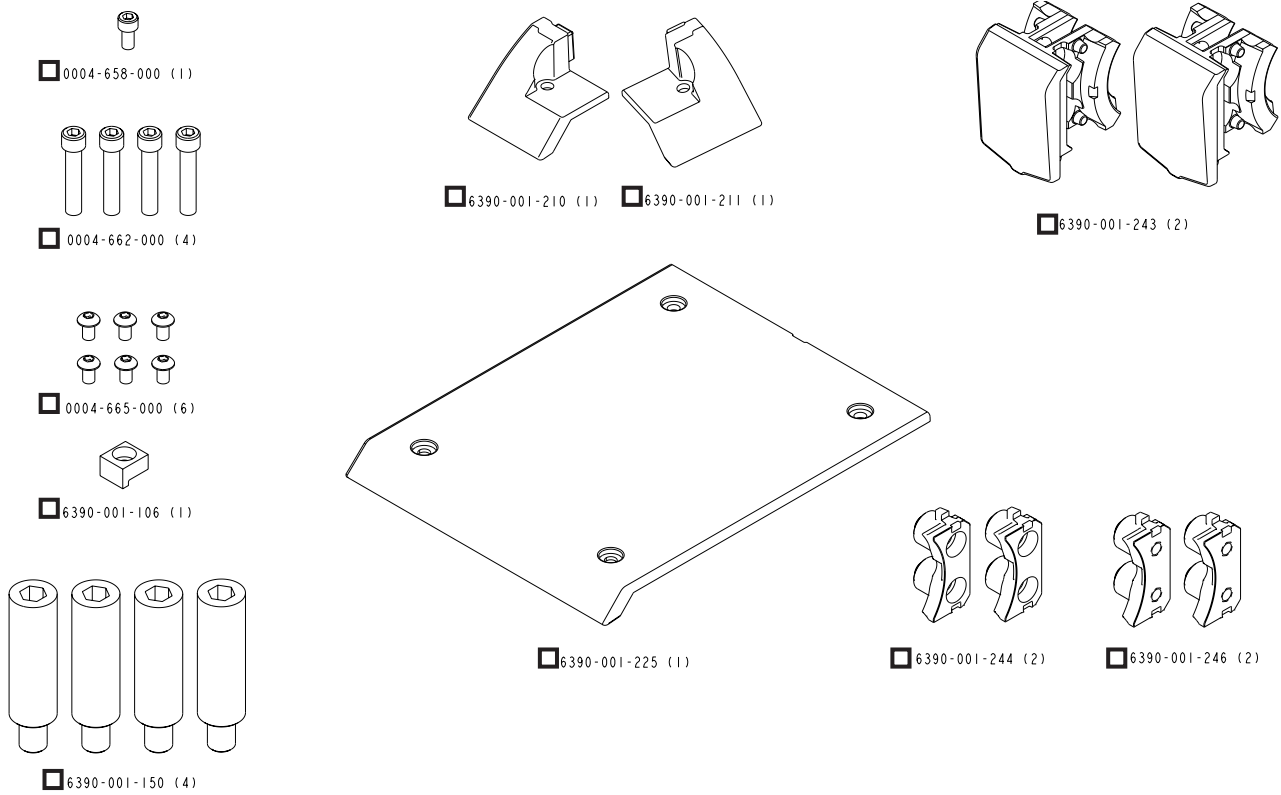


Figure 5: Power-LOAD Assembly Installation Kit Components (6390-001-054)

Installation Setup Procedures

OPTIONAL WHEEL GUIDE ASSEMBLY INSTALLATION COMPONENT CHECKLIST

Follow this component checklist to ensure that you have all of the required components to properly install the Power-LOAD system. For installation instructions, see “Installing The Optional Wheel Guide” on [page 34](#).

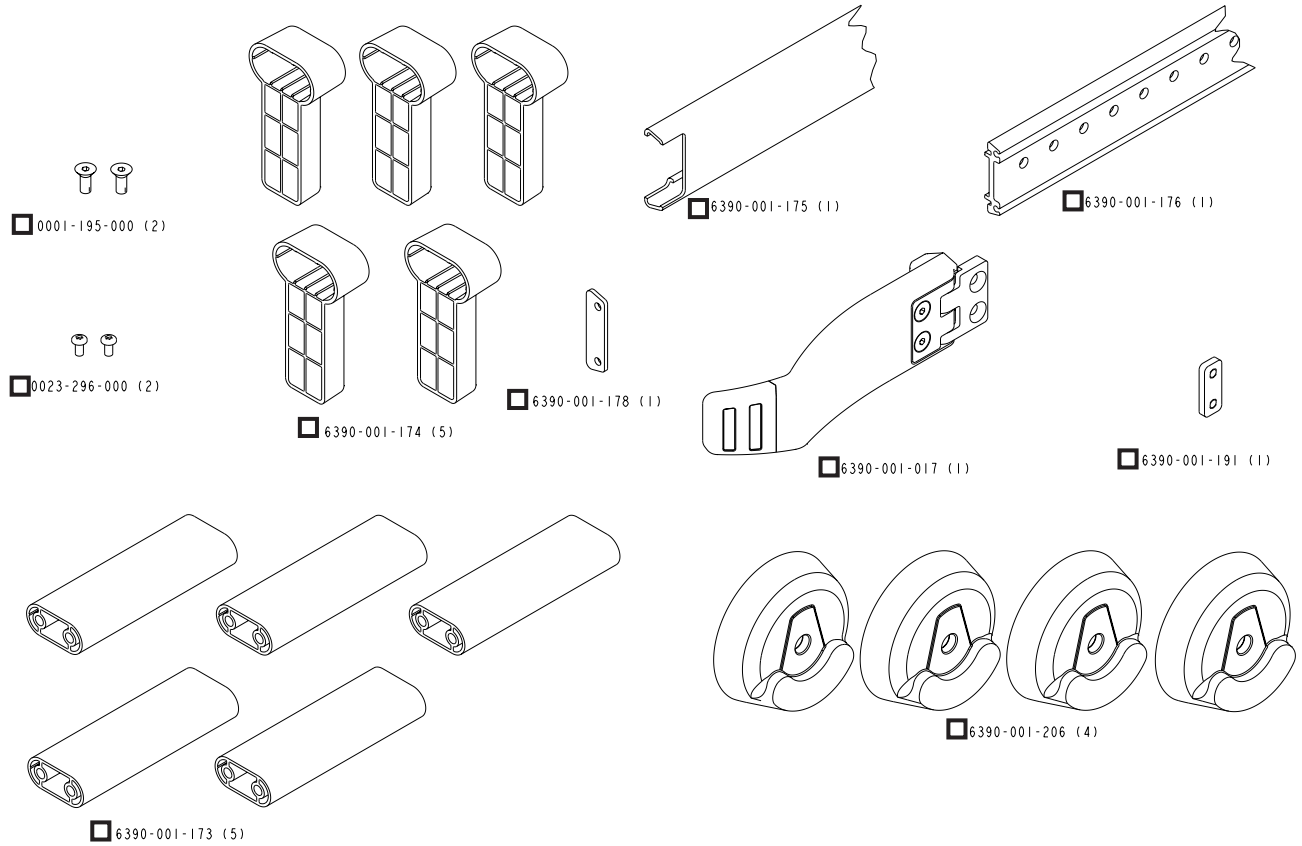


Figure 6: Optional Wheel Guide Assembly Installation Kit Components (6390-027-000)

Quality System Regulation for Installation

QUALITY SYSTEM REGULATION

The U.S. Food and Drug Administration (FDA) Code of Federal Regulations (CFR) Title 21 provides guidance regarding the installation of devices, such as Power-LOAD. To comply with these federal regulations, each device must be verified to have been properly installed by trained* individuals by following the inspection criteria in the “Power-LOAD Installation Checklist” on [page 38](#). This document must be maintained for a minimum of 7 years for each serial number/installation.

*the Power-LOAD installation facility must maintain their own training records showing that the installer was qualified.

CFR 21 SEC. 820.170 INSTALLATION

(a) Each manufacturer of a device requiring installation shall establish and maintain adequate installation and inspection instructions, and where appropriate test procedures. Instructions and procedures shall include directions for ensuring proper installation so that the device will perform as intended after installation. The manufacturer shall distribute the instructions and procedures with the device or otherwise make them available to the person(s) installing the device.

(b) The person installing the device shall ensure that the installation, inspection, and any required testing are performed in accordance with the manufacturer’s instructions and procedures and shall document the inspection and any test results to demonstrate proper installation.

CFR 21 SEC. 820.180 GENERAL REQUIREMENTS

All records required by this part shall be maintained at the manufacturing establishment or other location that is reasonably accessible to responsible officials of the manufacturer and to employees of FDA designated to perform inspections. Such records, including those not stored at the inspected establishment, shall be made readily available for review and copying by FDA employee(s). Such records shall be legible and shall be stored to minimize deterioration and to prevent loss. Those records stored in automated data processing systems shall be backed up.

(a) Confidentiality. Records deemed confidential by the manufacturer may be marked to aid FDA in determining whether information may be disclosed under the public information regulation in part 20 of this chapter.

(b) Record retention period. All records required by this part shall be retained for a period of time equivalent to the design and expected life of the device, but in no case less than 2 years from the date of release for commercial distribution by the manufacturer.

WARNING

- Improper installation can result in injury. Install the Stryker Model 6390 Power-LOAD system as described in this manual. Ensure that, at a minimum, your configuration with Power-LOAD is tested to meet AMD Standard 004.
 - Take special precautions regarding electromagnetic compatibility (EMC) when using medical electrical equipment like Power-LOAD. Install and place Power-LOAD into service according to the EMC information in this manual. Portable and mobile RF communications equipment can affect the function of Power-LOAD.
-

Floor Plate Installation Guidelines

Select your configuration (see Figure 7, Figure 8, or Figure 9 for reference).

Note: All measurements are shown in inches.

- 1 Choose one hole to drill \varnothing 1/2 in (1.3 cm) through for electrical input.
- 2 Router depth to be 9/16 in (1.4 cm) for the floor plate pocket.
- 3 Floor plate may be cut shorter to either indicated length.
- 4 **Note:** The foot end of the floor plate should be 2-3/4 in (7 cm) from the location where the door sill first drops off.
 - Floor plate pocket width will be approximately 2.563 in (6.5 cm).
 - Bolts (not included) for the floor plate (select one bolt location from each of the five bolt patterns) are to be 3/8-16 UNC flat head cap screws, ASTM-F835 or SAE grade 8. Each bolt should have a flat washer, lock washer, and nut.
 - Each bolt and supporting structure underneath must be able to withstand 2750 lb (998 kg) in upward tension and 600 lb (272 kg) in shear in all horizontal directions.
 - Each bolt must be installed with a minimum of 40 ft-lb torque.
 - Bolts for the antler and rail clamp plates are to be 3/8-16 UNC socket head cap screws.

Note: Antler and rail clamp plates are optional.

- Choose an unused bolt hole to drill through \varnothing 9/16 in (1.4 cm) for drain hole toward the foot end. Do not use the front four drill holes.
- Electrical requirements: 12.8V-15.6V $\overline{=}$, 15A breaker, 2 conductor 10 AWG cable.
- Ensure that minimum clearance is provided from the captain's seat. Refer to KKK-A-1822F Federal Specification for the Star-of-Life Ambulance, section 3.10.4, for further guidance.
- You must install the optional wheel guide (6390-027-000) for Type II ambulances (see [page 34](#)).

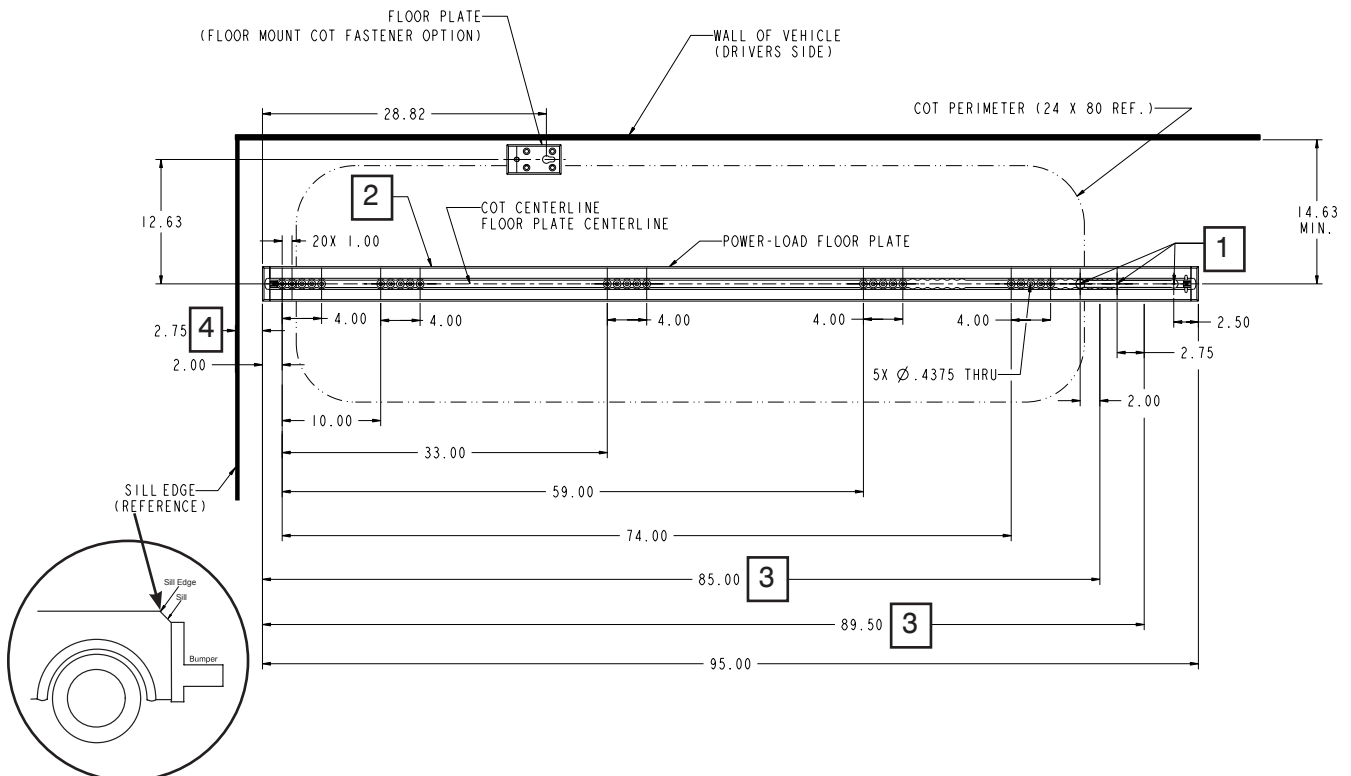


Figure 7: Power-LOAD Floor Plate with Single Standard Floor Mount Cot Fastener Floor Plate (Optional)